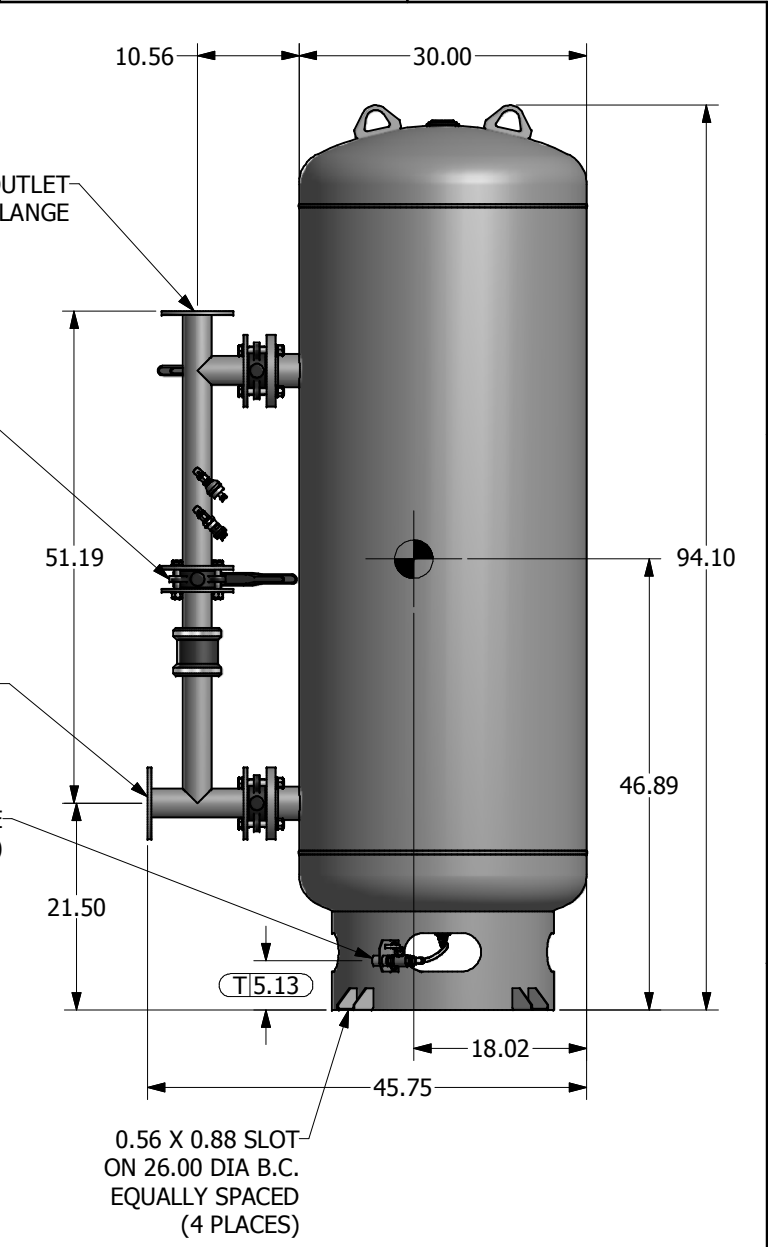
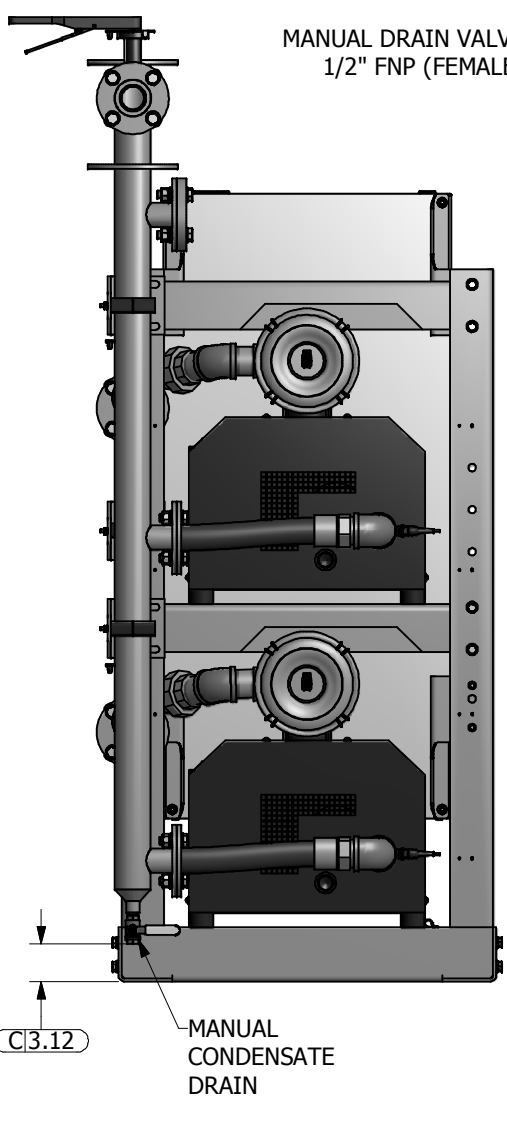
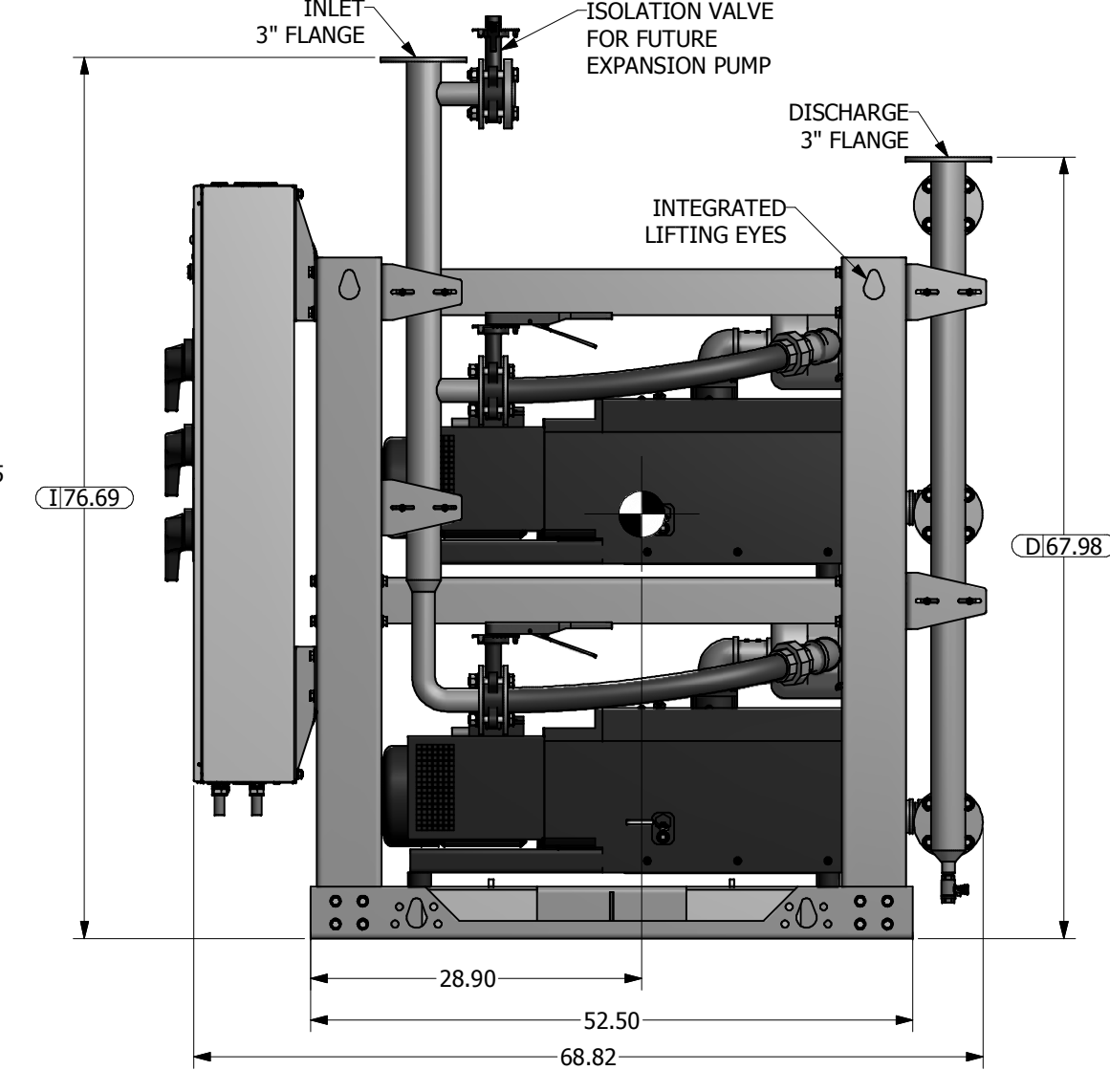
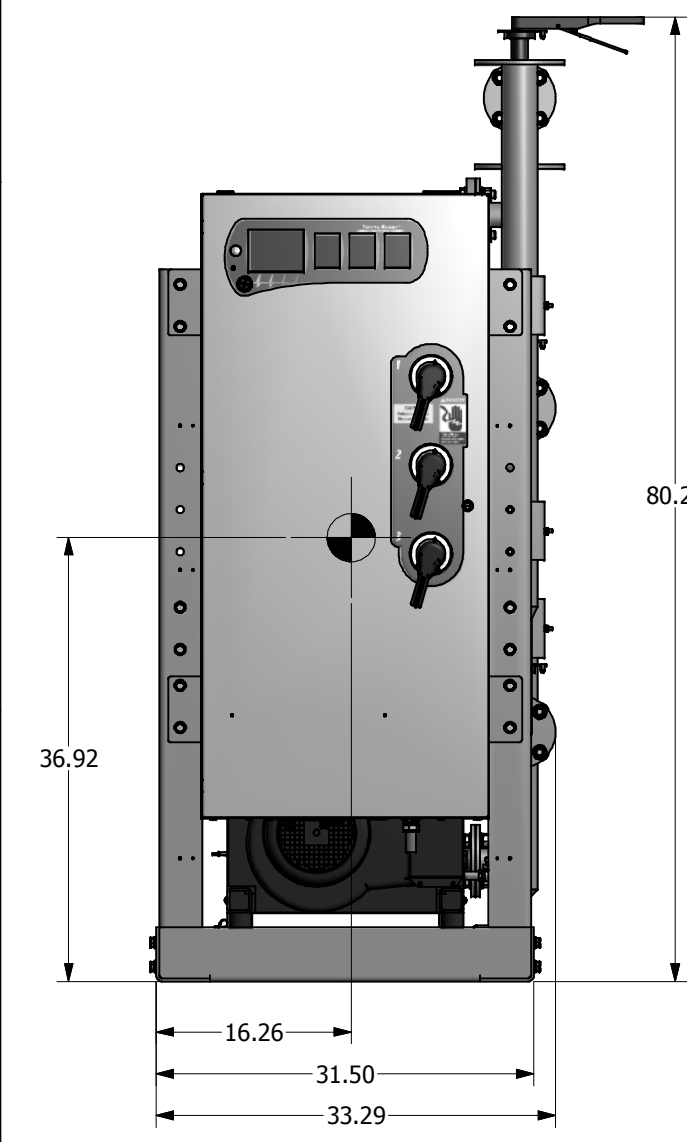
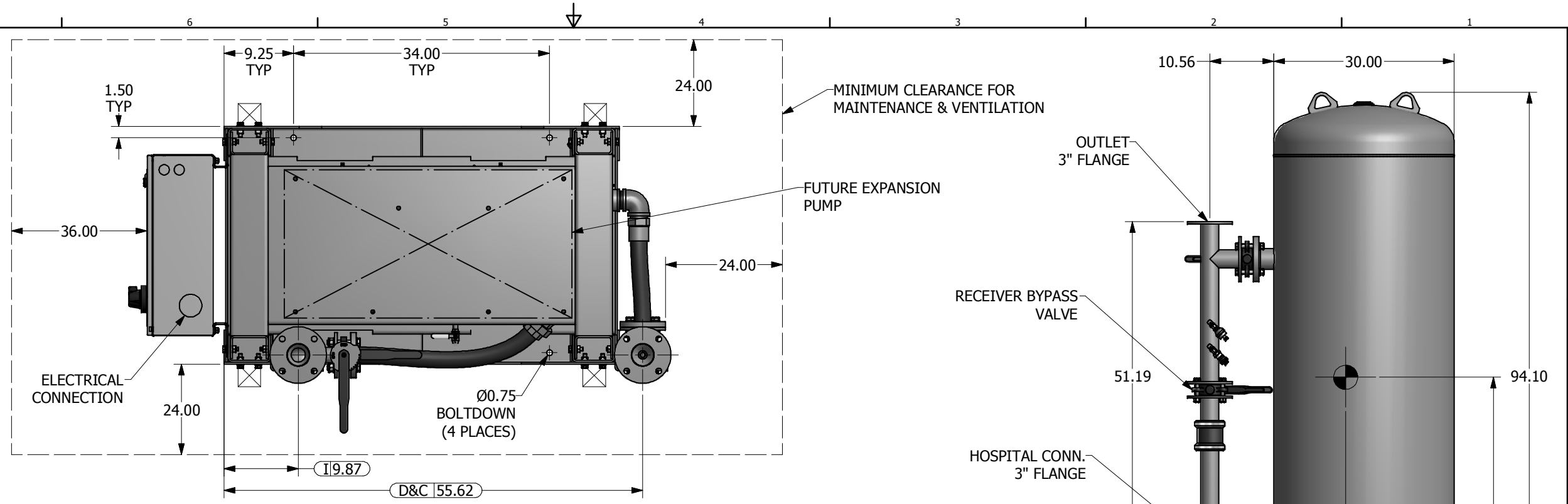


- Notes:
- DISCHARGE MUFFLER WILL BE SHIPPED LOOSE.
 - PUMP MODULE WEIGHT: 2,647 LBS (INCLUDES FUTURE EXPANSION PUMP).
240G TANK WEIGHT: 713 LBS.
 - ⊠ INDICATES LIFTING POINTS
 - DENOTES CENTER OF GRAVITY (INCLUDES FUTURE EXPANSION PUMP).

| SYSTEM CONNECTIONS | |
|--------------------|-----------------------------|
| ID | DESCRIPTION |
| I | INLET CONNECTION |
| C | DISCHARGE CONNECTION |
| D | CONDENSATE DRAIN CONNECTION |
| T | TANK DRAIN |



240 GAL VACUUM RECEIVER
3" FLANGED CONNECTIONS
(SCALE 1:10)

| | | | |
|--|-------|--|-----------|
| Revised: | Date: | Drawn: | Date: |
| | | bm | 5/12/2010 |
| | | This drawing and the information contained therein remain the property of BeaconMedes and may not be used for other than the purpose for which it is loaned without the expressed written permission from BeaconMedes Engineering. | |
| Description: GENERAL ASSEMBLY 8.7HP DX-X-TX CLAW VAC MOD 240G RECEIVER STANDARD AND O2 ASSURED | | Part Number: 4107 8514 92 Rev: USN100235 00 Sheet 1 of 1 DO NOT SCALE THIS DOCUMENT | |