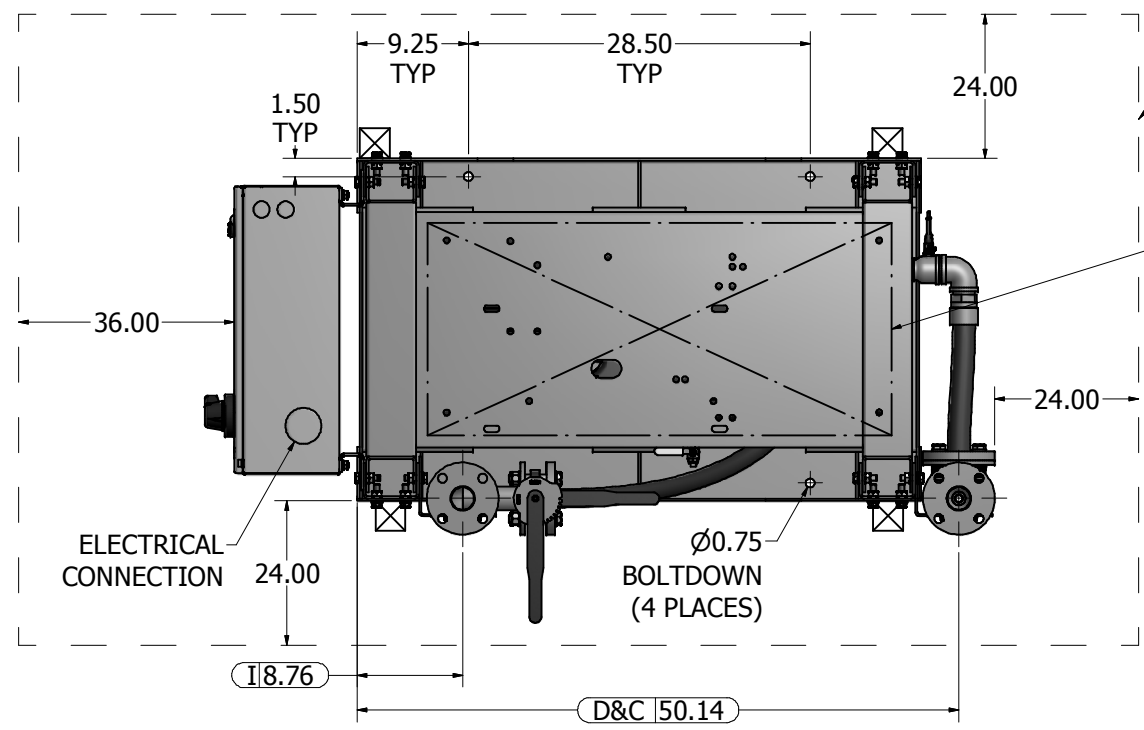


Notes:

- DISCHARGE MUFFLER WILL BE SHIPPED LOOSE.
- PUMP MODULE WEIGHT: 1,980 LBS (INCLUDES FUTURE EXPANSION PUMP).
240G TANK WEIGHT: 693 LBS
- ☒ INDICATES LIFTING POINT.
- DENOTES CENTER OF GRAVITY (INCLUDES FUTURE EXPANSION PUMP).

SYSTEM CONNECTIONS	
ID	DESCRIPTION
I	INLET CONNECTION
C	DISCHARGE CONNECTION
D	CONDENSATE DRAIN CONNECTION
T	TANK DRAIN



MINIMUM CLEARANCE FOR MAINTENANCE & VENTILATION

FUTURE EXPANSION PUMP

OUTLET 2" FLANGE

RECEIVER BYPASS VALVE

HOSPITAL CONN. 2" FLANGE

MANUAL DRAIN CONN. 1/2" NPT (FEMALE)

51.19

21.50

15.13 (T)

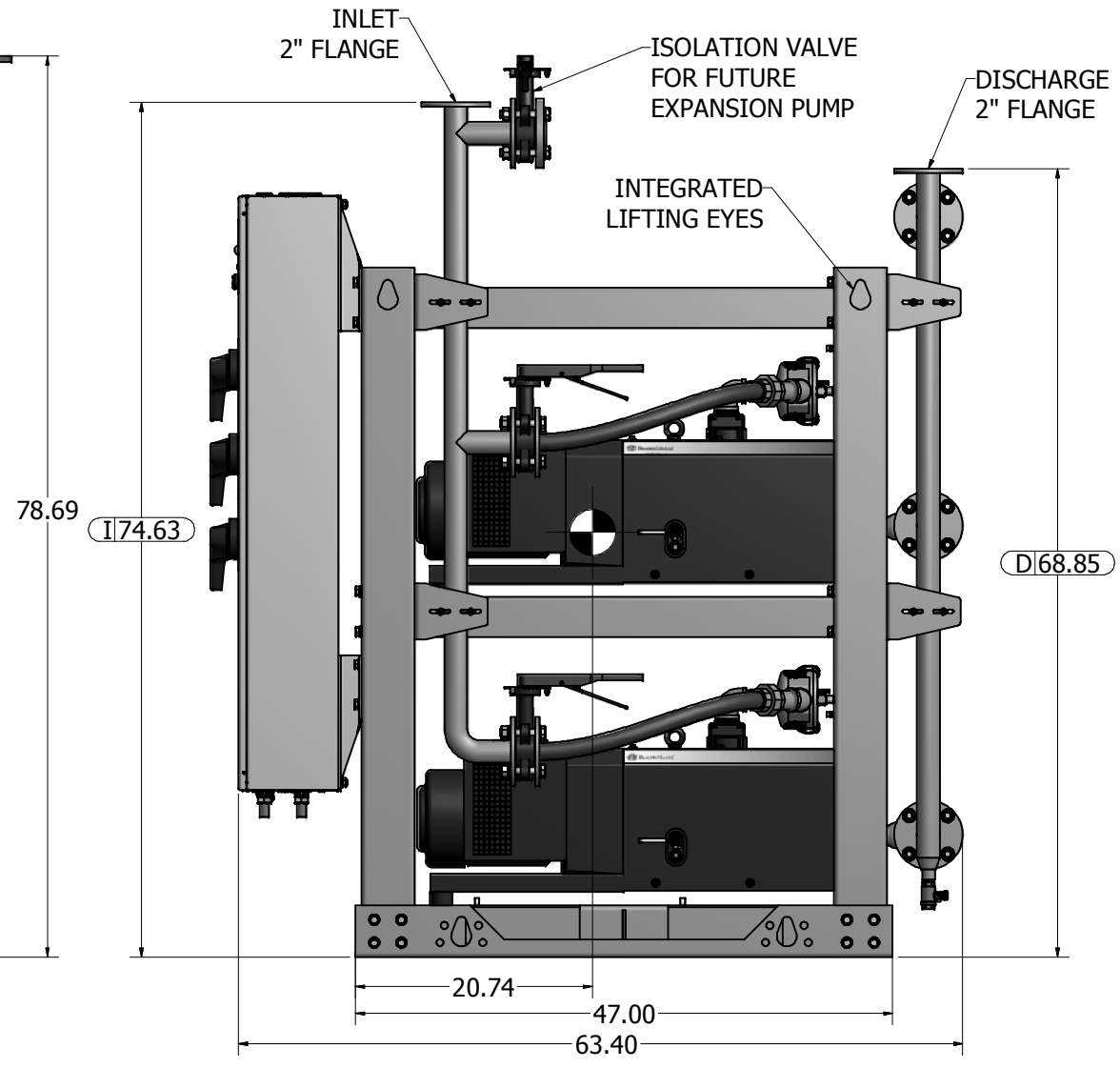
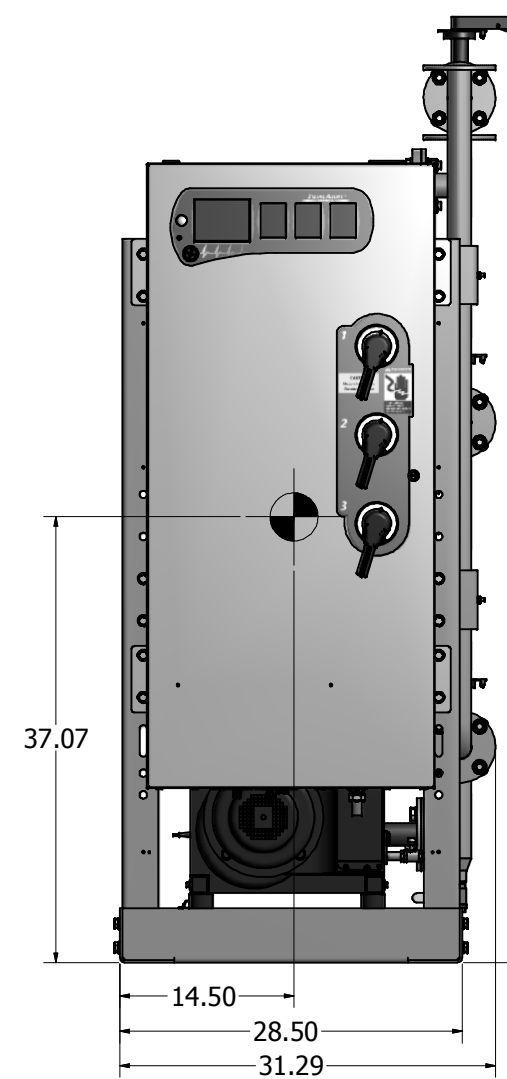
0.56 X 0.88 SLOT ON 26.00 DIA B.C. EQUALLY SPACED (4 PLACES)

240 GAL VACUUM RECEIVER
2" FLANGED CONNECTIONS
(SCALE 1:10)

INTAKE FILTER ONE PER PUMP

MANUAL CONDENSATE DRAIN

4.21 (C)



DISCHARGE 2" FLANGE

INTEGRATED LIFTING EYES

ISOLATION VALVE FOR FUTURE EXPANSION PUMP

INLET 2" FLANGE

Revised:	Date:	Drawn: usnbw	Date: 3/29/2010
		This drawing and the information contained therein remain the property of BeaconMedes and may not be used for other than the purpose for which it is loaned without the expressed written permission from BeaconMedes Engineering.	
Description: GENERAL ASSEMBLY 5.4HP DX-X-TX CLAW VAC MOD 240G RECEIVER STANDARD AND O2 ASSURED		Part Number: 4107 8514 85 Rev: 00 USN100235 Sheet 1 of 1 DO NOT SCALE THIS DOCUMENT	