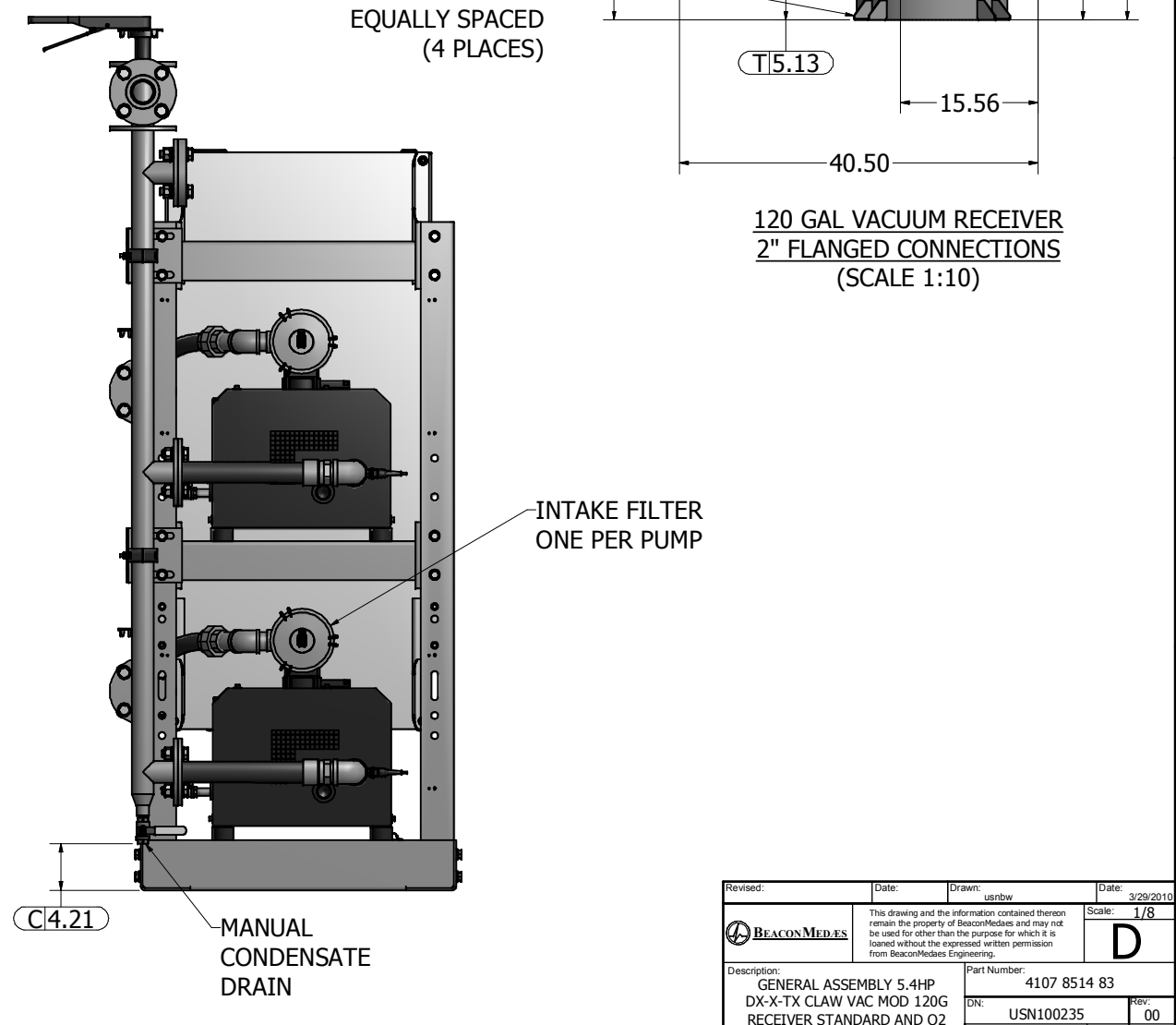
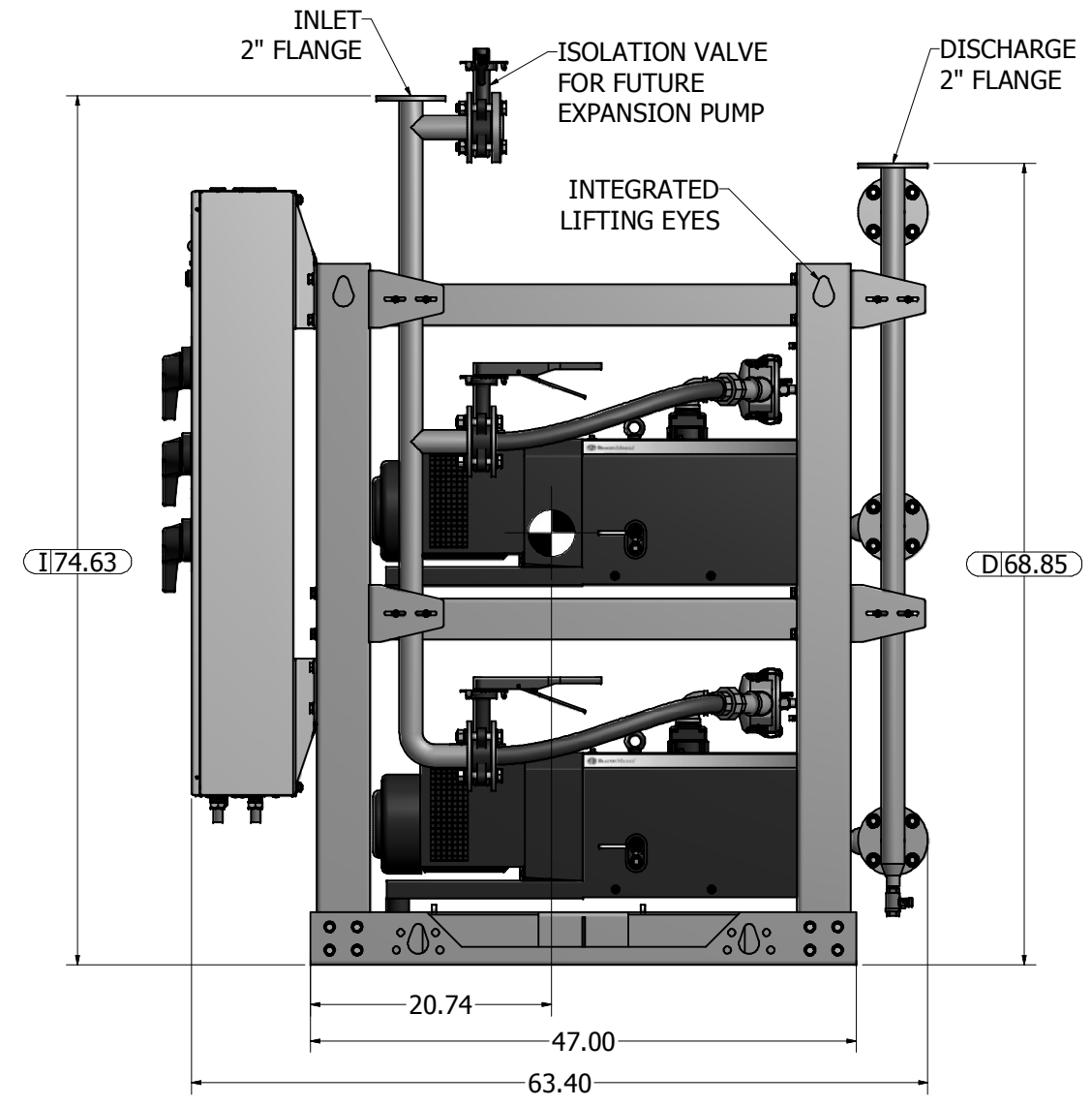
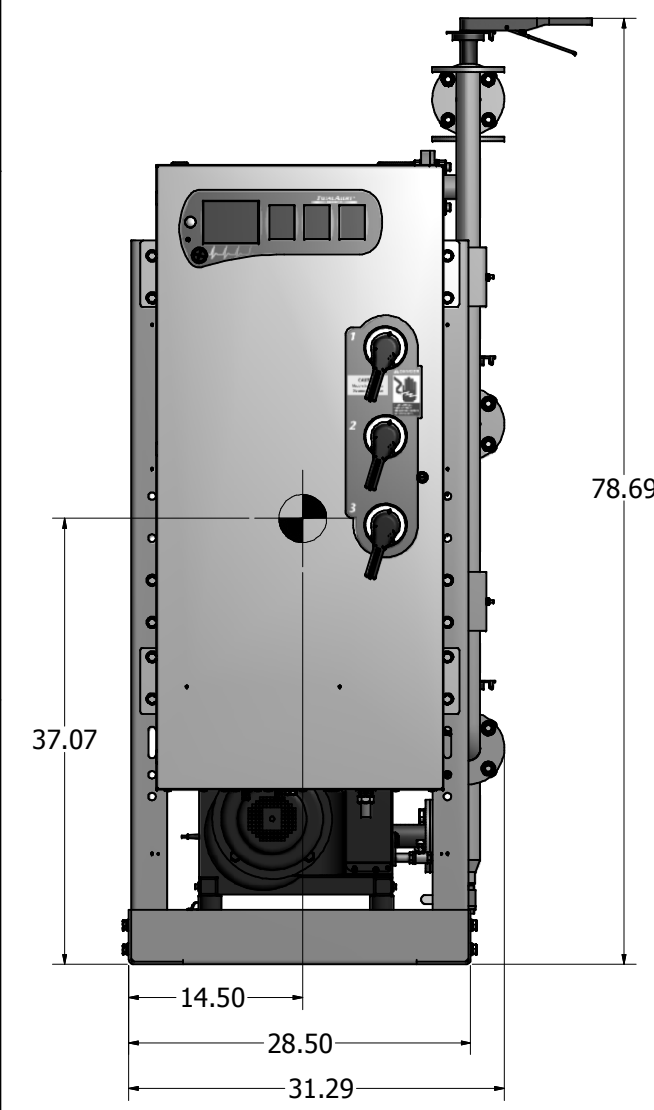
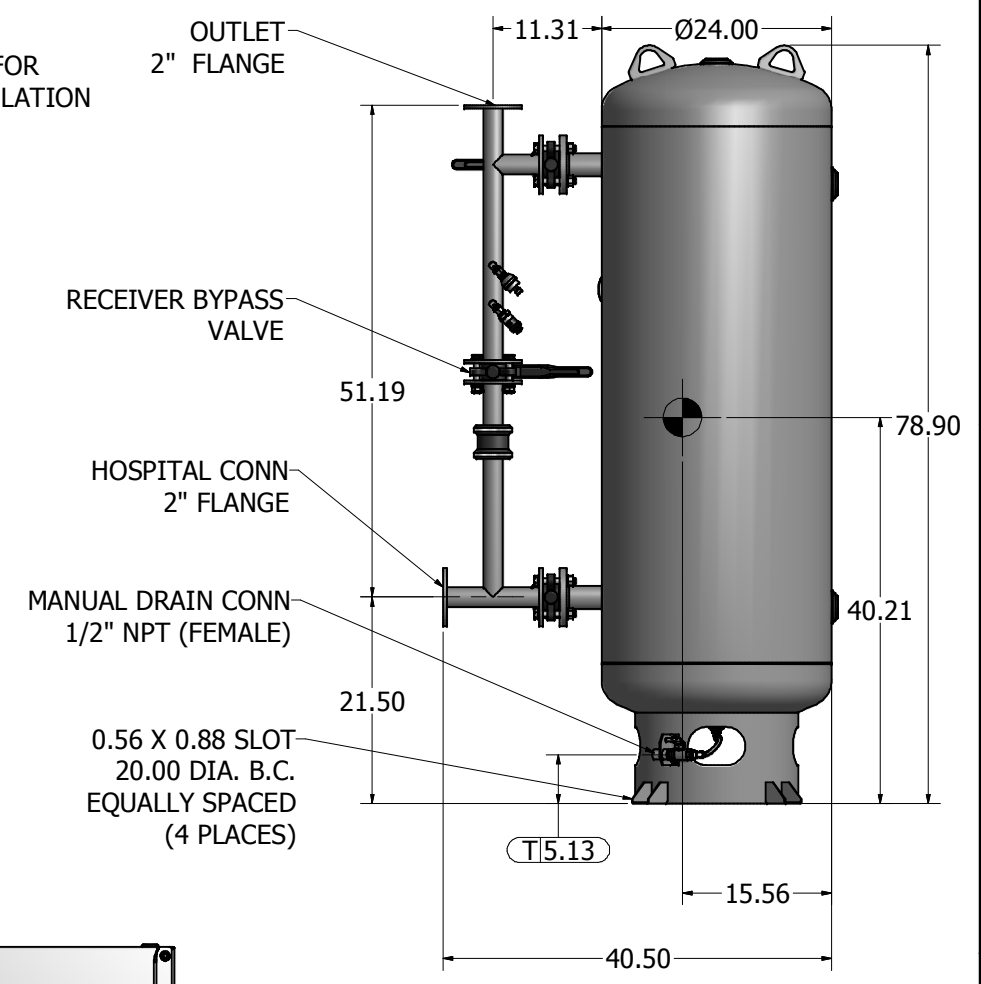
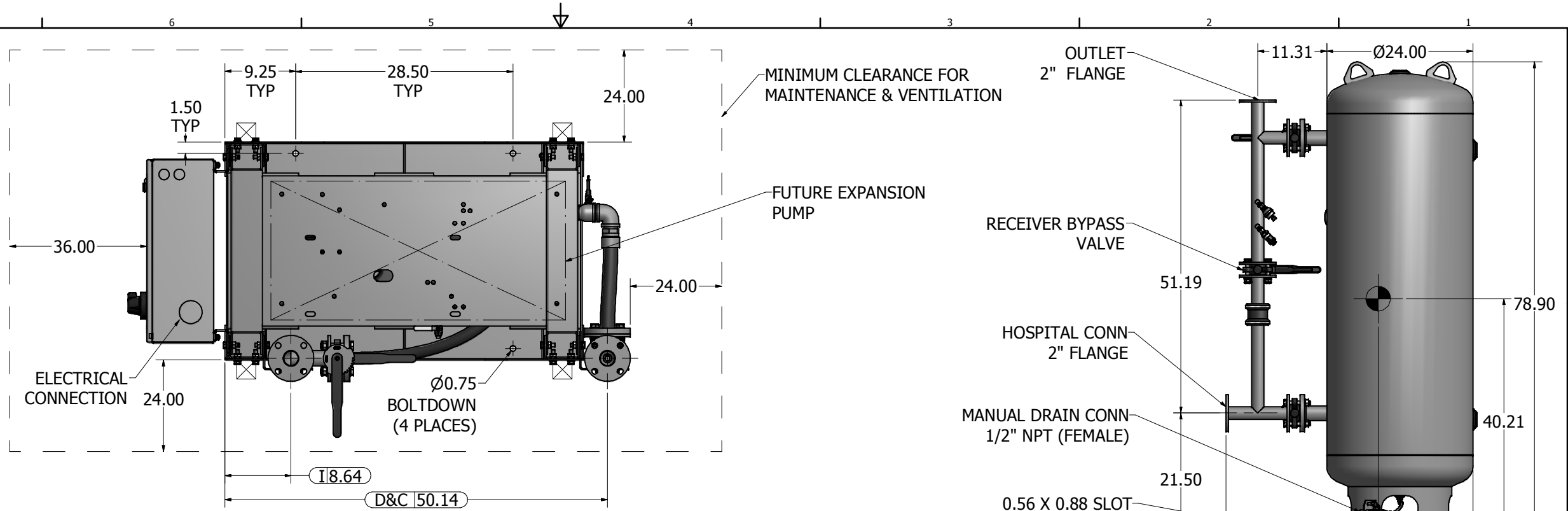


- Notes:
- DISCHARGE MUFFLER WILL BE SHIPPED LOOSE.
 - PUMP MODULE WEIGHT: 1,980 LBS (INCLUDES FUTURE EXPANSION PUMP).
120G TANK WEIGHT: 393 LBS.
 - ☒ INDICATES LIFTING POINT.
 - DENOTES CENTER OF GRAVITY (INCLUDES FUTURE EXPANSION PUMP).

SYSTEM CONNECTIONS	
ID	DESCRIPTION
I	INLET CONNECTION
D	DISCHARGE CONNECTION
C	CONDENSATE DRAIN CONNECTION
T	TANK DRAIN



Revised:	Date:	Drawn: usnbw	Date: 3/29/2010
		This drawing and the information contained thereon remain the property of BeaconMedes and may not be used for other than the purpose for which it is loaned without the expressed written permission from BeaconMedes Engineering.	
Description: GENERAL ASSEMBLY 5.4HP DX-X-TX CLAW VAC MOD 120G RECEIVER STANDARD AND O2 ASSURED		Part Number: 4107 8514 83	Scale: 1/8 D
DN: USN100235		Rev: 00	Sheet 1 of 1 DO NOT SCALE THIS DOCUMENT