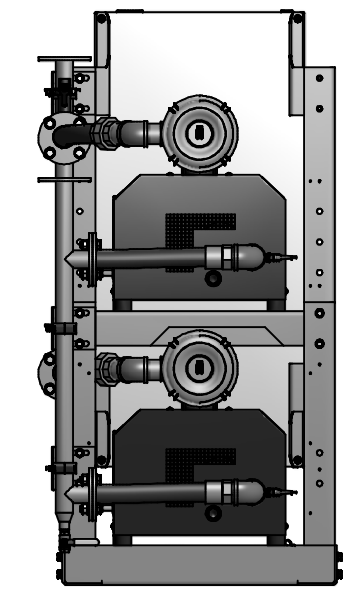
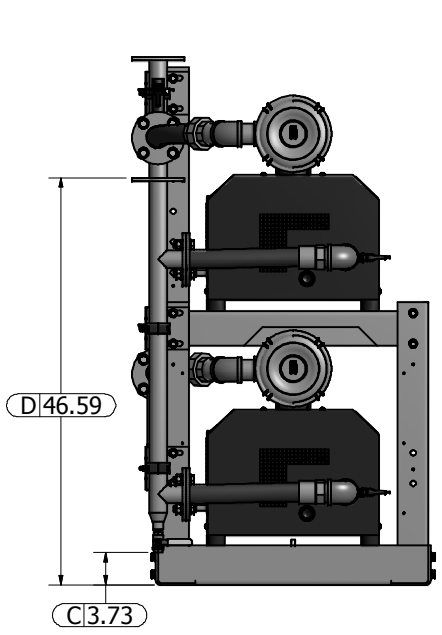
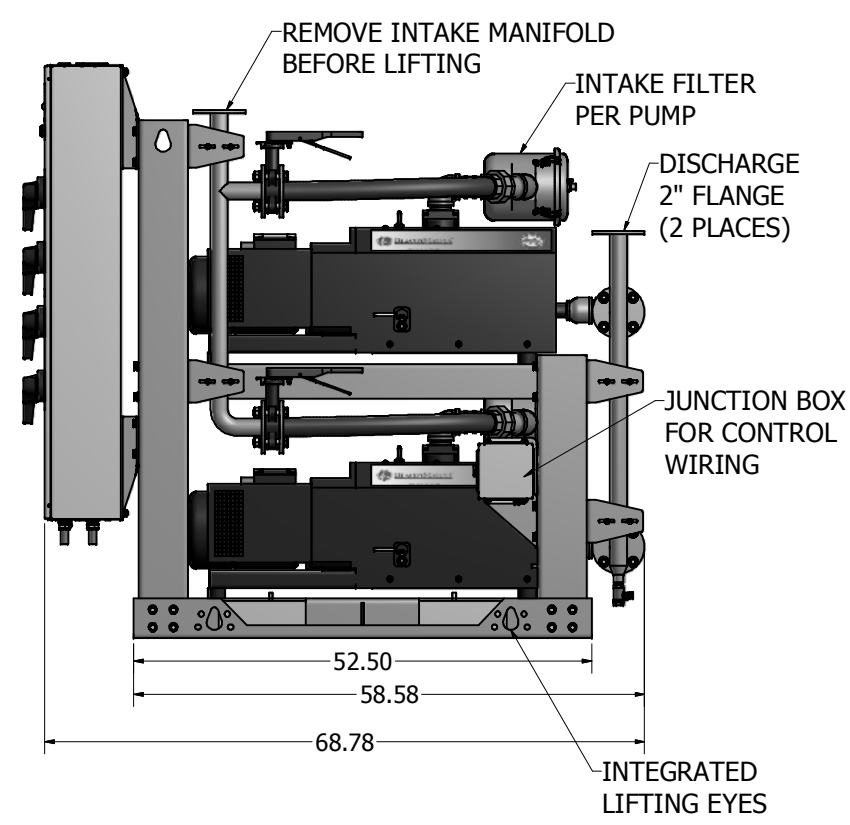
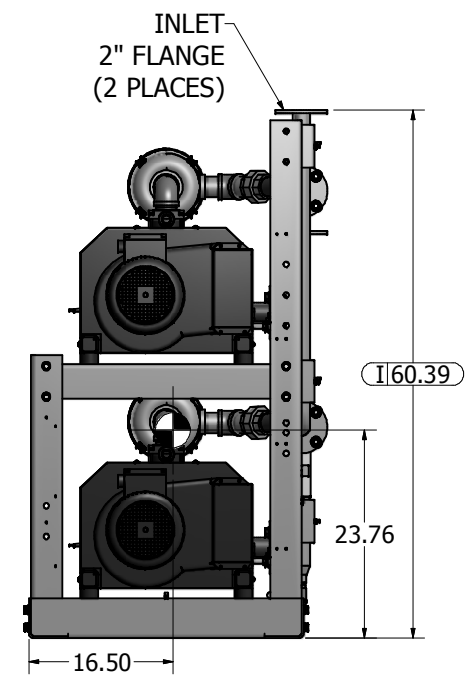
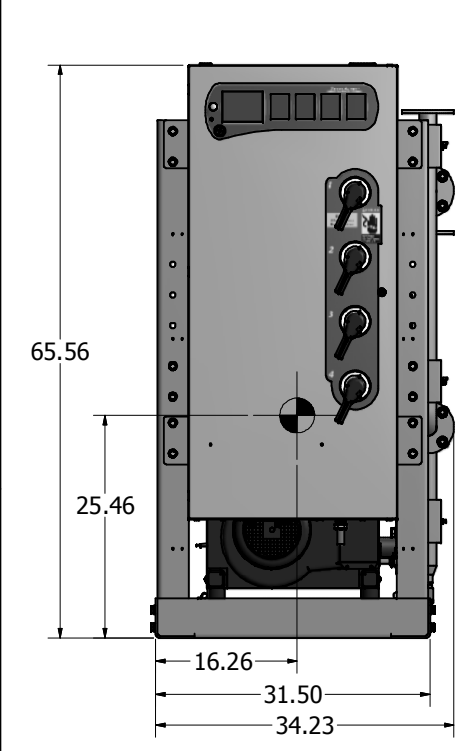
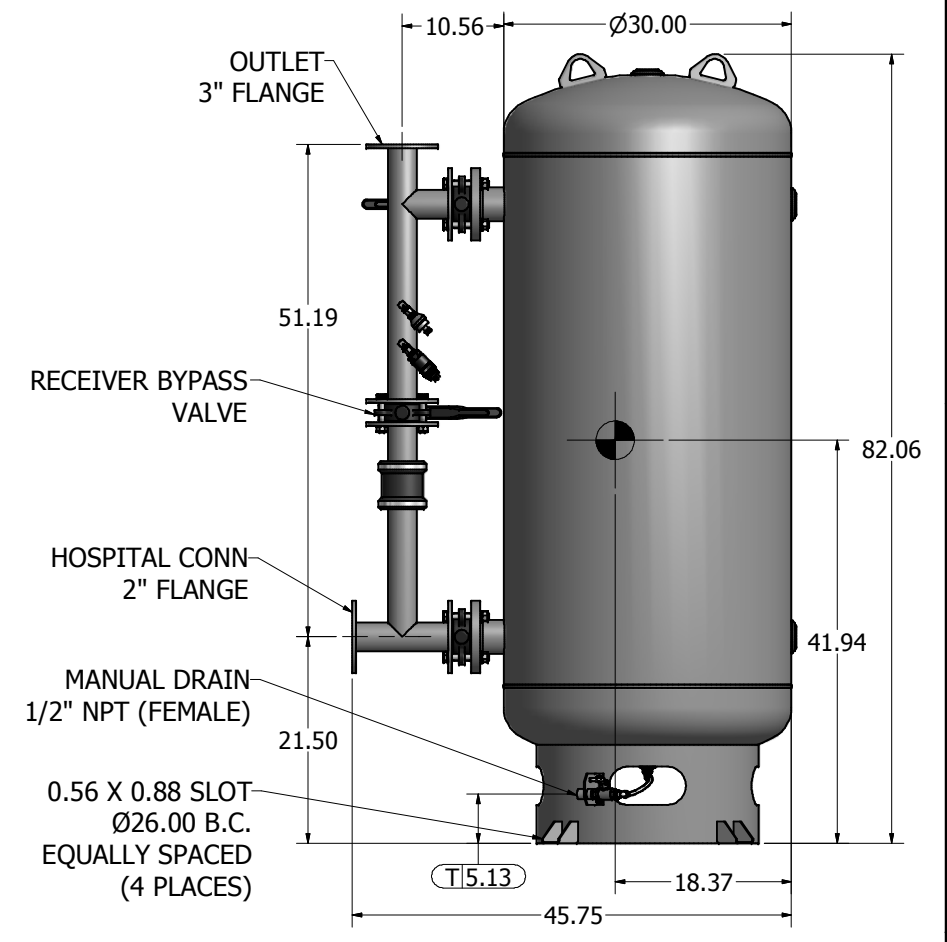
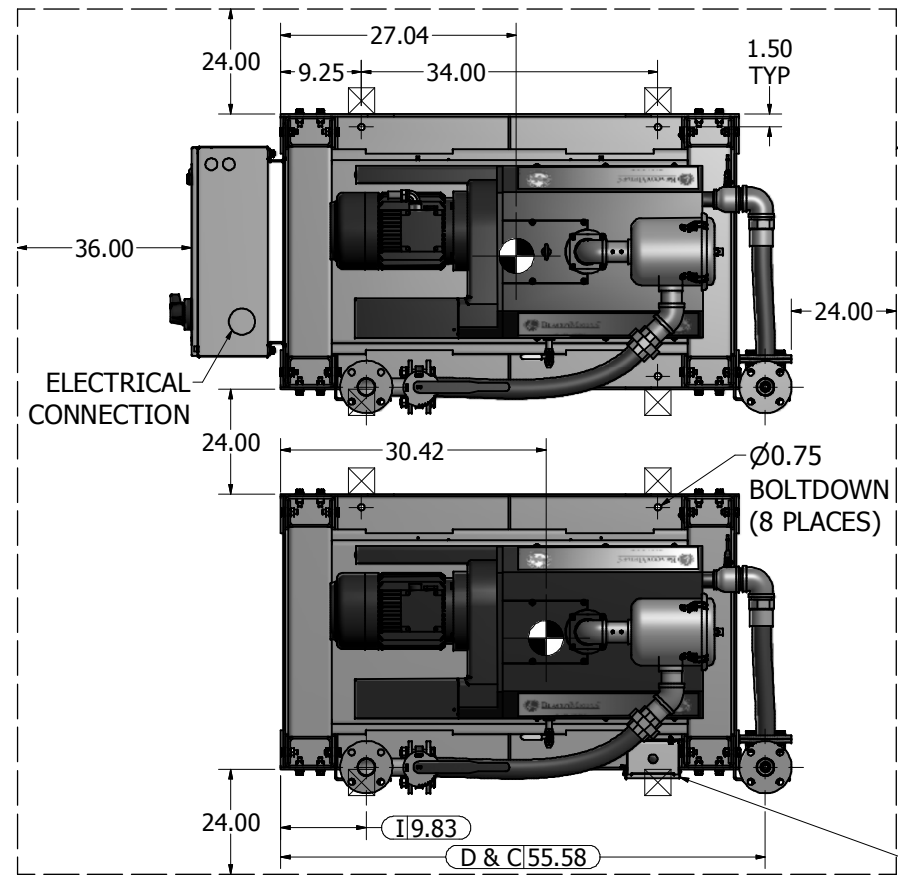


This drawing and the information contained thereon remain the property of BeaconMedics and may not be used for other than the purpose for which it is loaned without the expressed written permission from BeaconMedics Engineering.

Notes:

- DISCHARGE MUFFLERS WILL BE SHIPPED LOOSE.
- DX MODULE W/ PANEL WEIGHT: 1,867 LBS
DX MODULE WEIGHT: 1,690 LBS
200G TANK WEIGHT: 638 LBS
- ⊠ INDICATES LIFTING POINT.
- DENOTES CENTER OF GRAVITY.

SYSTEM CONNECTIONS	
ID	DESCRIPTION
I	INLET LOCATION
D	DISCHARGE LOCATION
C	CONDENSATE DRAIN LOCATION
T	TANK DRAIN LOCATION



INSPECTION CHECKLIST UNLESS OTHERWISE SPECIFIED: ◊ ◯ ALL ITEMS MARKED BY ONE OF THE ABOVE SYMBOLS ARE TO BE INSPECTED EQUIPMENT TO BE USED DURING RECEIVING INSPECTION SHALL BE PER QUALITY SYSTEM PROCEDURES	Revised: _____ Date: _____ Drawn: MDB Date: 1/11/2010
	UNLESS OTHERWISE SPECIFIED ALL DIMENSIONS ARE IN INCHES AND TOLERANCES ARE: XXX ± 0.2 XXX ± 0.005 ANGLES ± 9°
	Scale: 1/11 D
Description: GENERAL ASSEMBLY 8.7HP QX CLAW VAC MOD 200G RECEIVER STANDARD AND O2 ASSURED	Part Number: 4107 8513 40
DN: USN100174 Sheet 1 of 1	Rev: 00 DO NOT SCALE THIS DOCUMENT