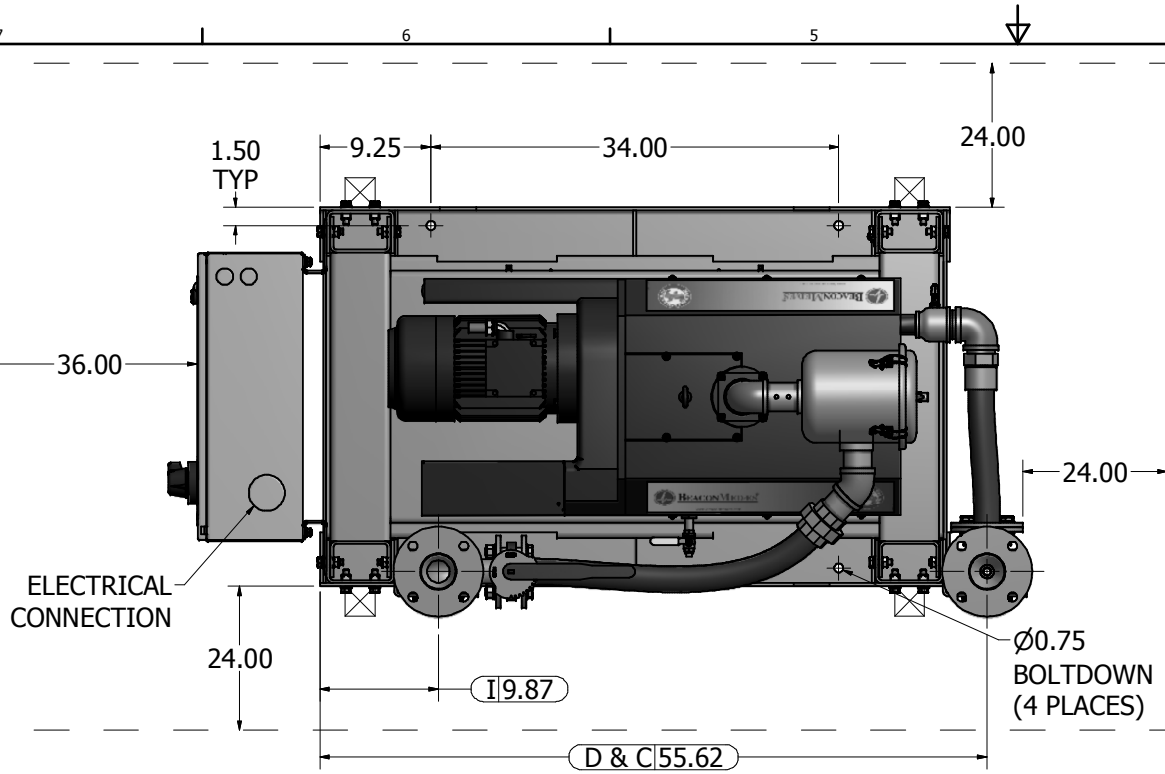


- Notes:
- DISCHARGE MUFFLER WILL BE SHIPPED LOOSE.
  - TX MODULE WEIGHT: 2,647 LBS  
240G TANK WEIGHT: 713 LBS
  - ☒ INDICATES LIFTING POINT.
  - DENOTES CENTER OF GRAVITY.

SYSTEM CONNECTIONS	
ID	DESCRIPTION
I	INLET LOCATION
D	DISCHARGE LOCATION
C	CONDENSATE DRAIN LOCATION
T	TANK DRAIN LOCATION



MINIMUM CLEARANCE FOR MAINTENANCE & VENTILATION

OUTLET 3" FLANGE

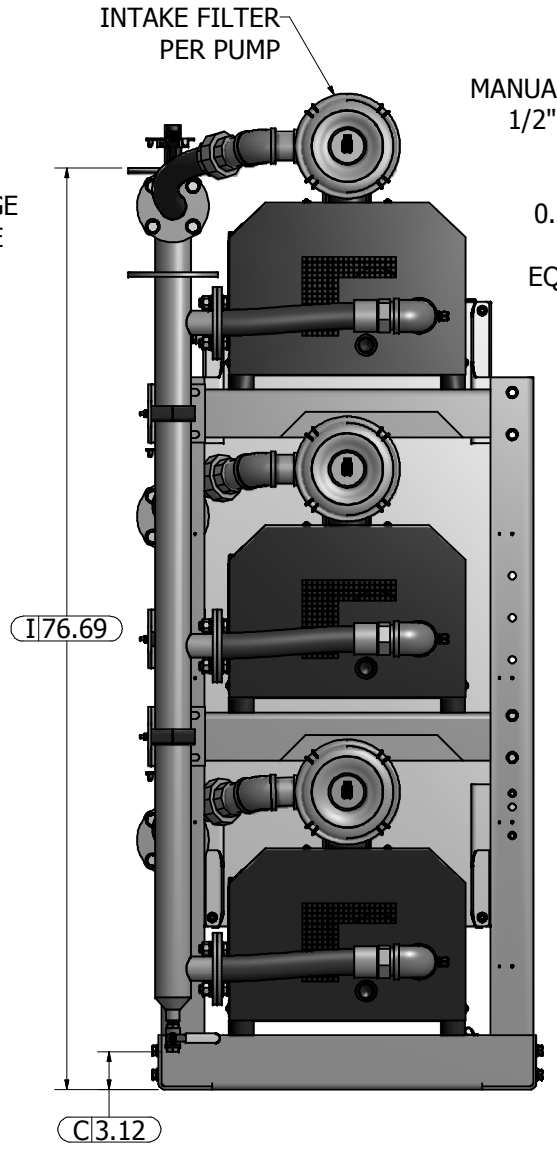
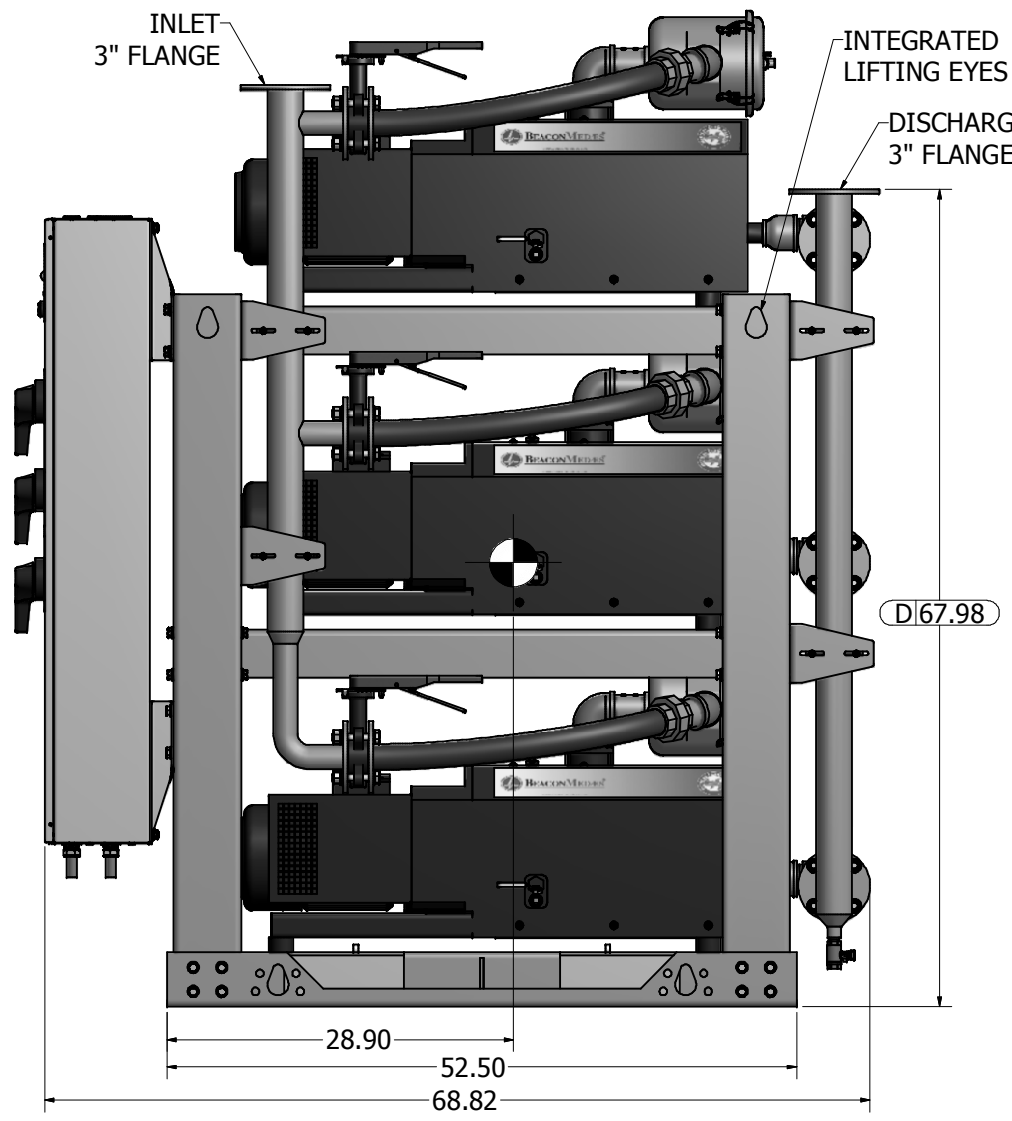
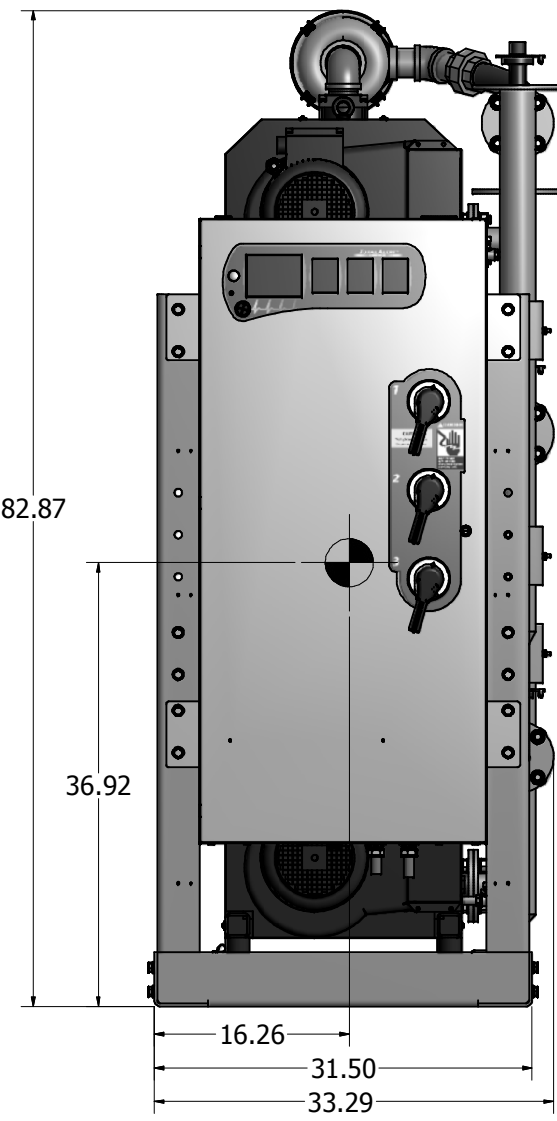
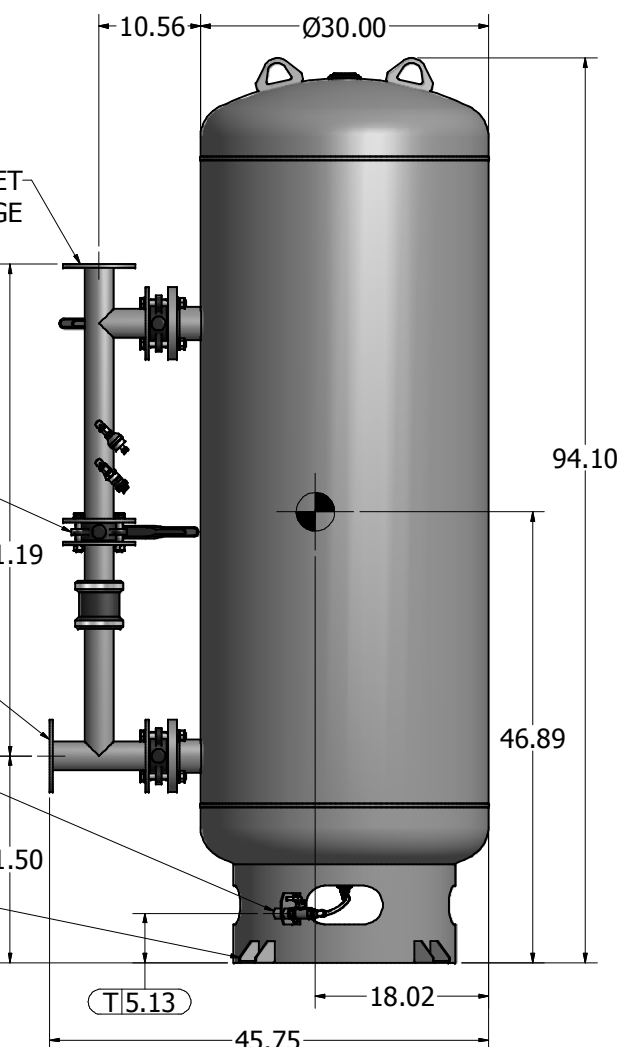
RECEIVER BYPASS VALVE

HOSPITAL CONN 3" FLANGE

MANUAL DRAIN CONN 1/2" NPT (FEMALE)

0.56 X 0.88 SLOT Ø26.00 B.C. EQUALLY SPACED (4 PLACES)

240 GAL VACUUM RECEIVER  
3" FLANGED CONNECTIONS  
(SCALE 1:10)



Revised:	Date:	Drawn: usnbw	Date: 3/31/2010
		This drawing and the information contained thereon remain the property of BeaconMedes and may not be used for other than the purpose for which it is loaned without the expressed written permission from BeaconMedes Engineering.	
Description: GENERAL ASSEMBLY 8.7HP TX CLAW VAC MOD 240G RECEIVER STANDARD AND O2 ASSURED		Part Number: 4107 8513 29 DN: USN100159 Rev: 00 Sheet 1 of 1 DO NOT SCALE THIS DOCUMENT	