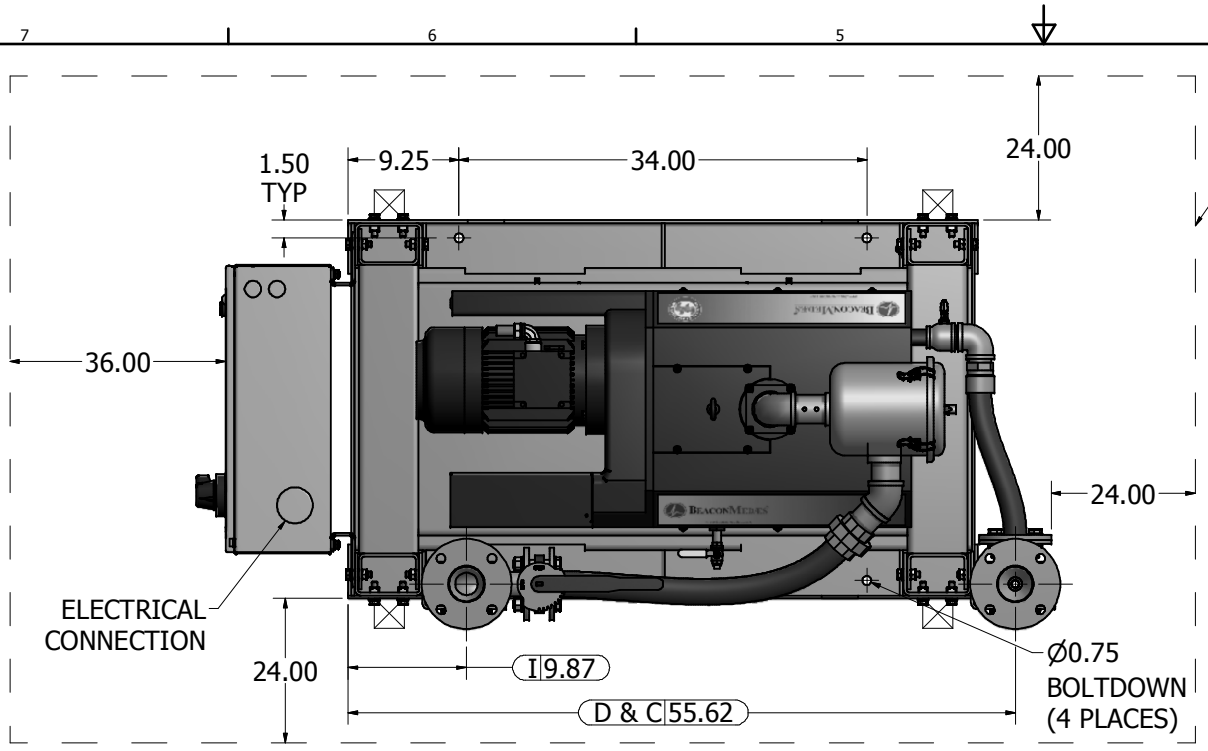
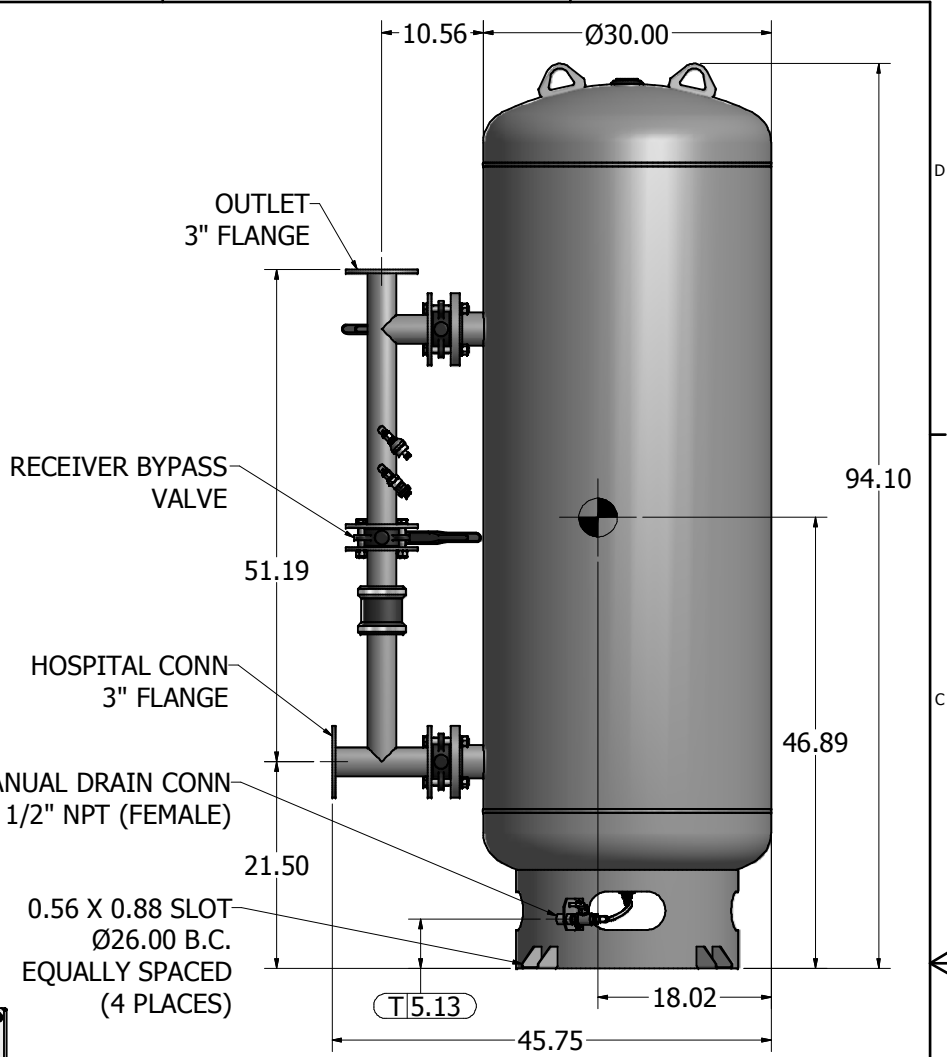


- Notes:
- DISCHARGE MUFFLER WILL BE SHIPPED LOOSE.
 - TX MODULE WEIGHT: 2,618 LBS
240G TANK WEIGHT: 713 LBS
 - ☒ INDICATES LIFTING POINT.
 - DENOTES CENTER OF GRAVITY.

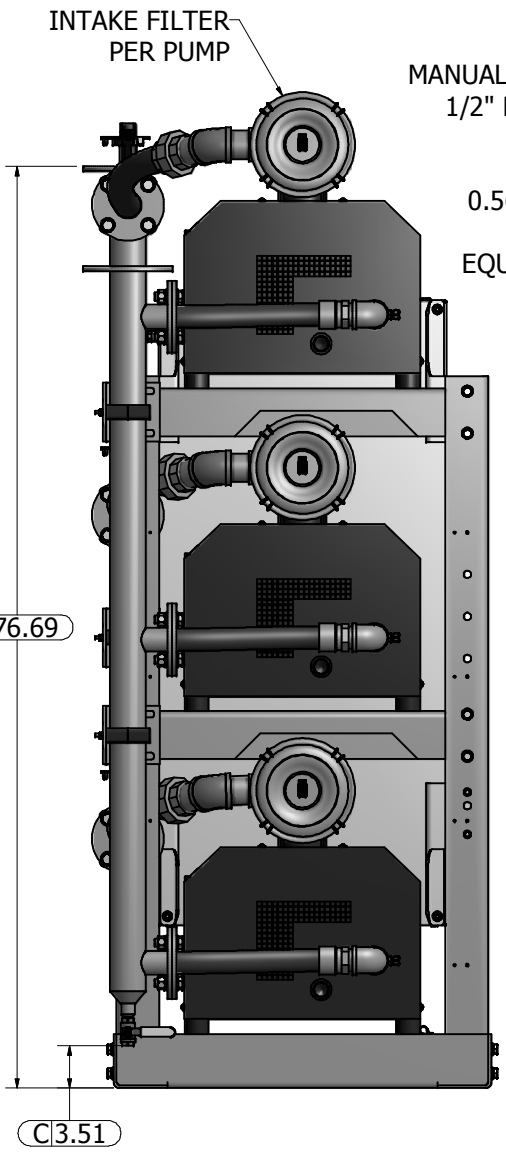
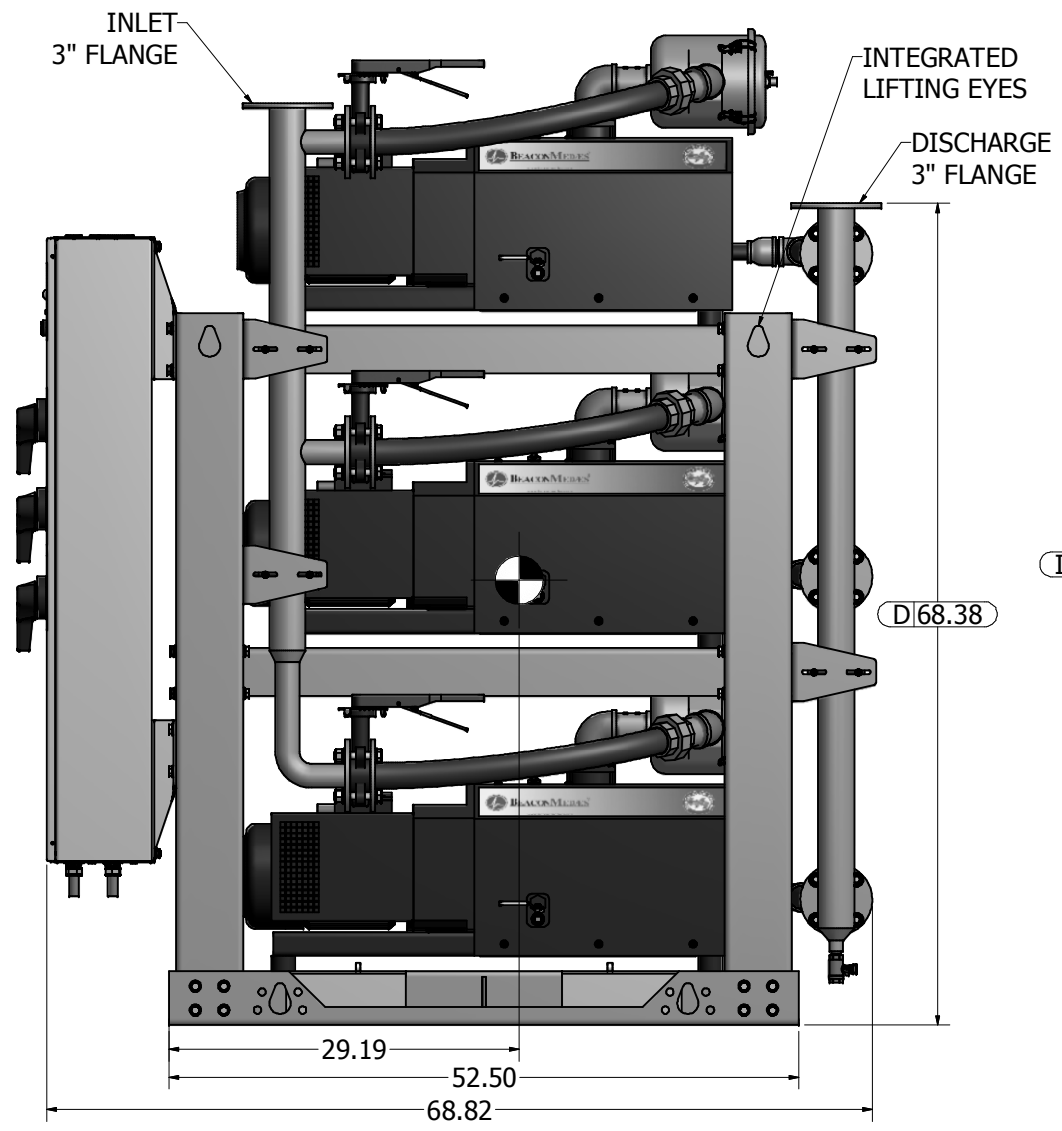
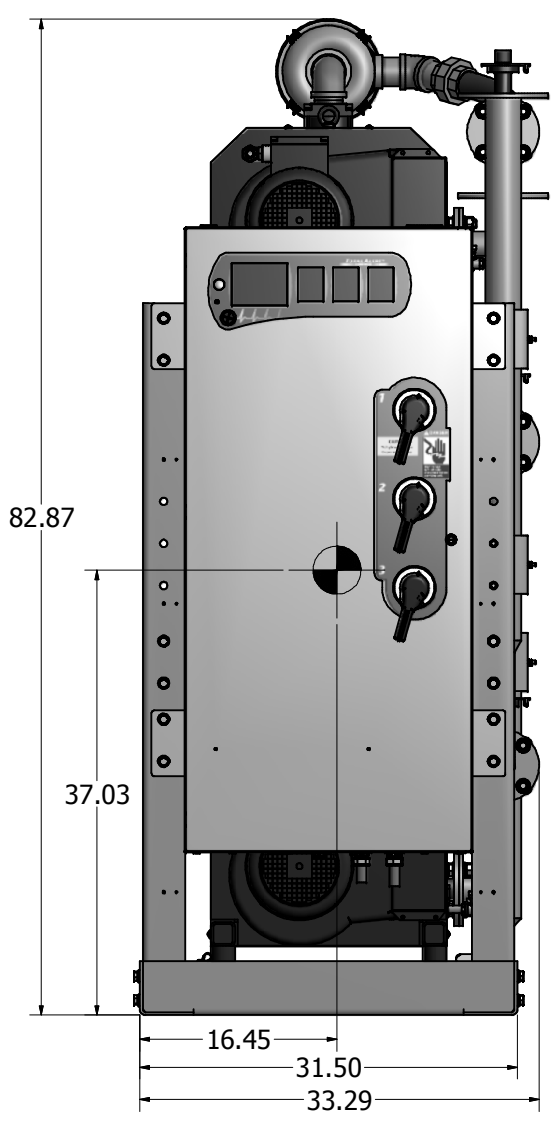
| SYSTEM CONNECTIONS | |
|--------------------|---------------------------|
| ID | DESCRIPTION |
| I | INLET LOCATION |
| D | DISCHARGE LOCATION |
| C | CONDENSATE DRAIN LOCATION |
| T | TANK DRAIN LOCATION |



MINIMUM CLEARANCE FOR MAINTENANCE & VENTILATION



240 GAL VACUUM RECEIVER
3" FLANGED CONNECTIONS
(SCALE 1:10)



| | | | |
|--|-------|--|-----------------|
| Revised: | Date: | Drawn: usnbw | Date: 3/31/2010 |
| | | This drawing and the information contained therein remain the property of BeaconMedes and may not be used for other than the purpose for which it is loaned without the expressed written permission from BeaconMedes Engineering. | |
| Description: GENERAL ASSEMBLY 7.5HP TX CLAW VAC MOD 240G RECEIVER STANDARD AND O2 ASSURED | | Part Number: 4107 8513 27 DN: USN100159 Rev: 00 Sheet 1 of 1 DO NOT SCALE THIS DOCUMENT | |