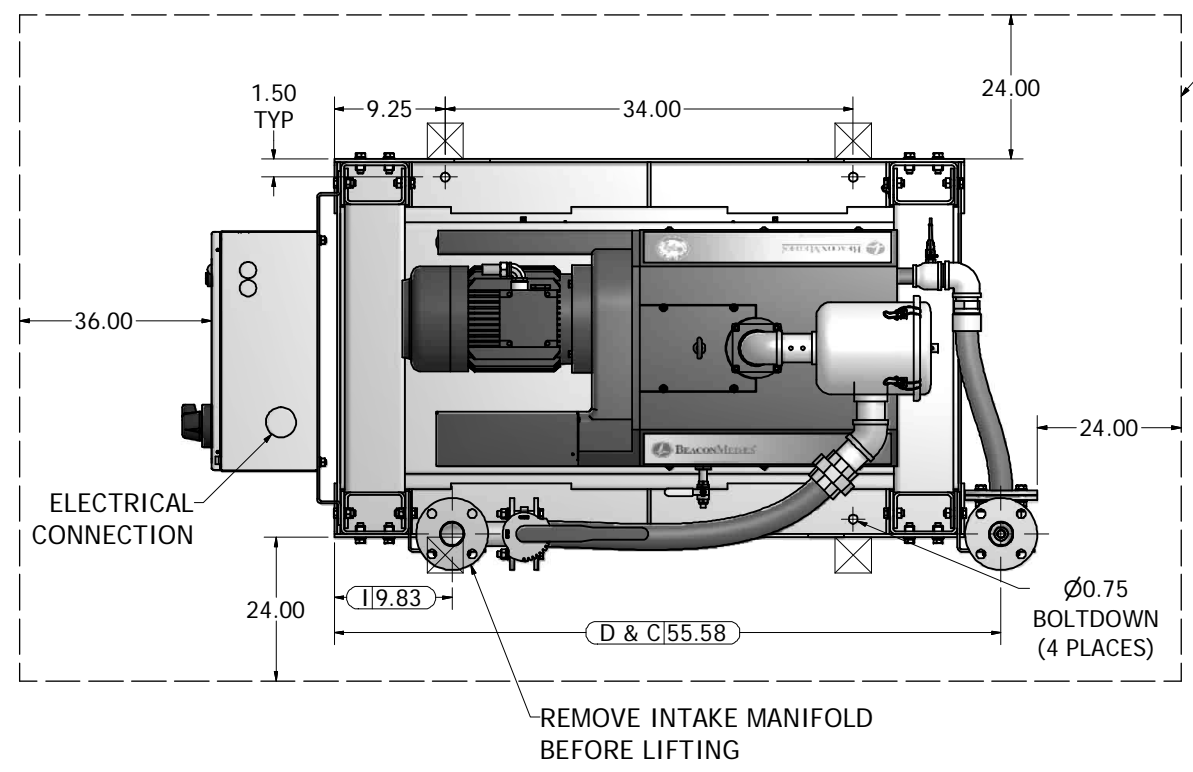


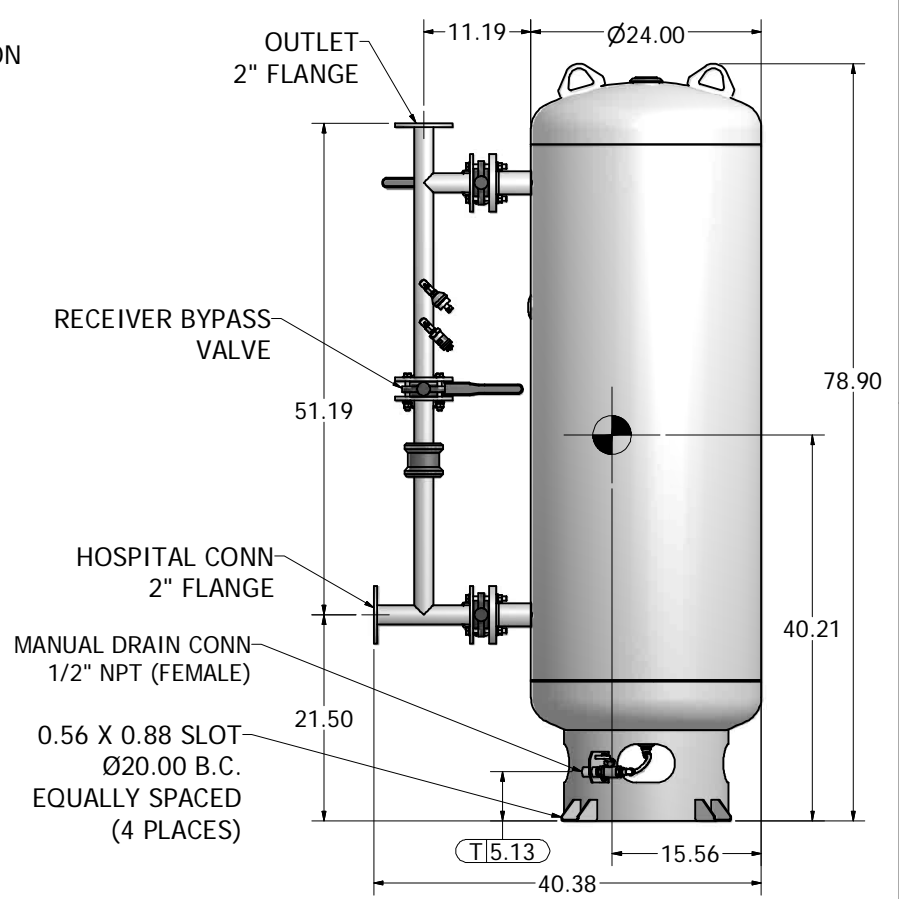
This drawing and the information contained thereon remain the property of BeaconMedics and may not be used for other than the purpose for which it is loaned without the expressed written permission from BeaconMedics Engineering.

- Notes:
- DISCHARGE MUFFLER WILL BE SHIPPED LOOSE.
 - DX MODULE WEIGHT: 1,796 LBS
120G TANK WEIGHT: 393 LBS
 - ⊠ INDICATES LIFTING POINT.
 - DENOTES CENTER OF GRAVITY.

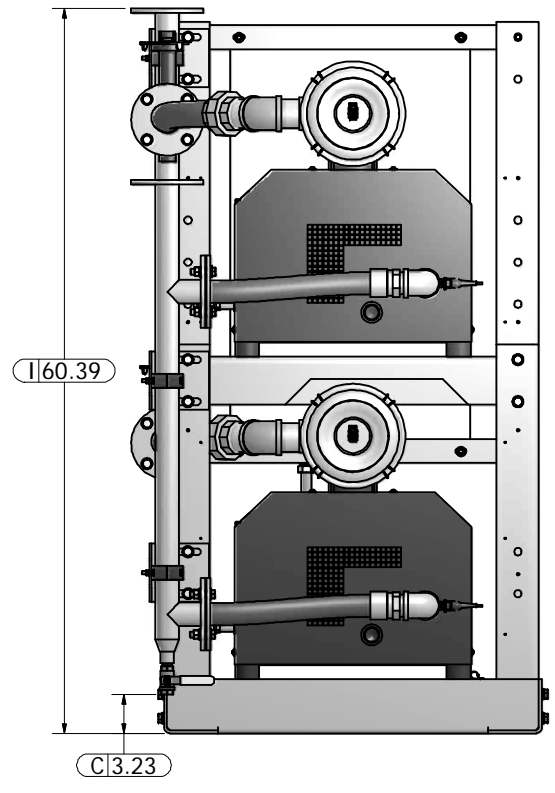
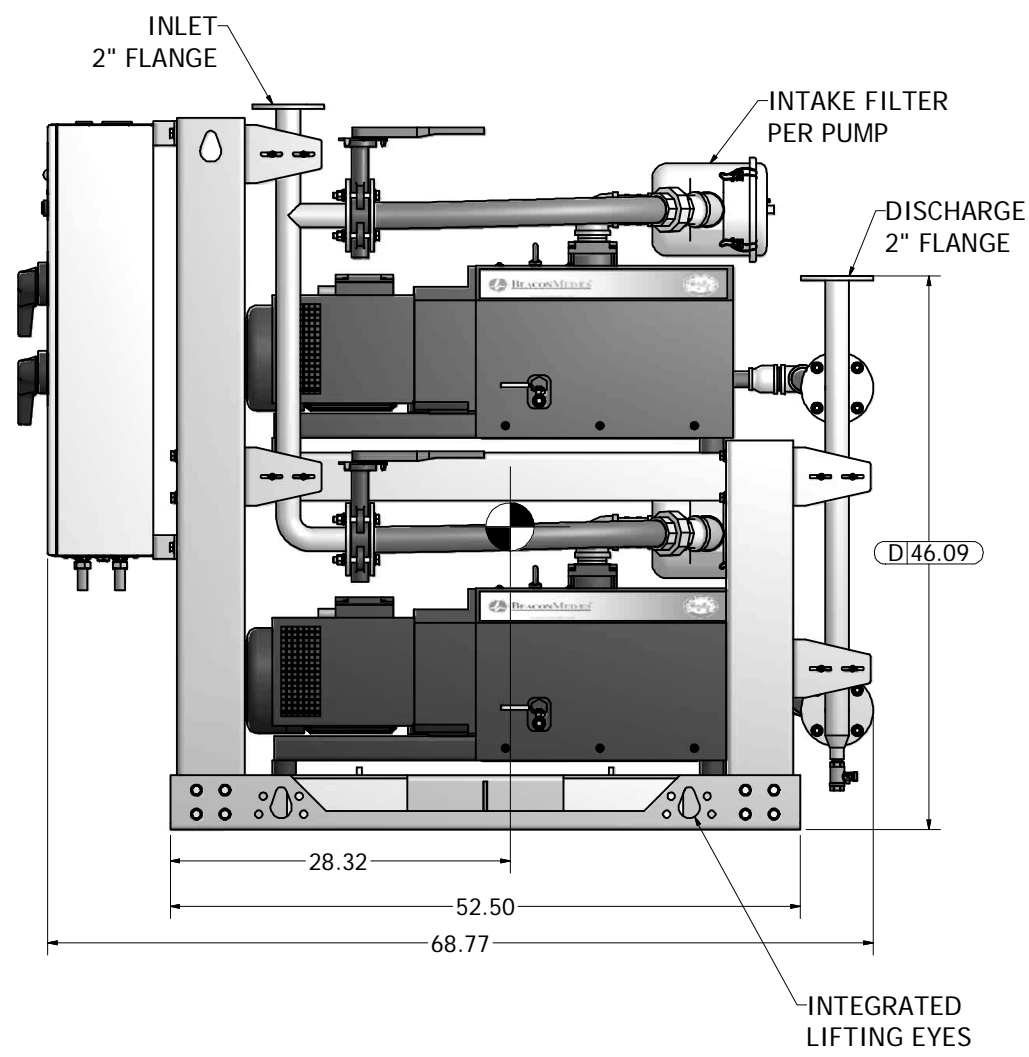
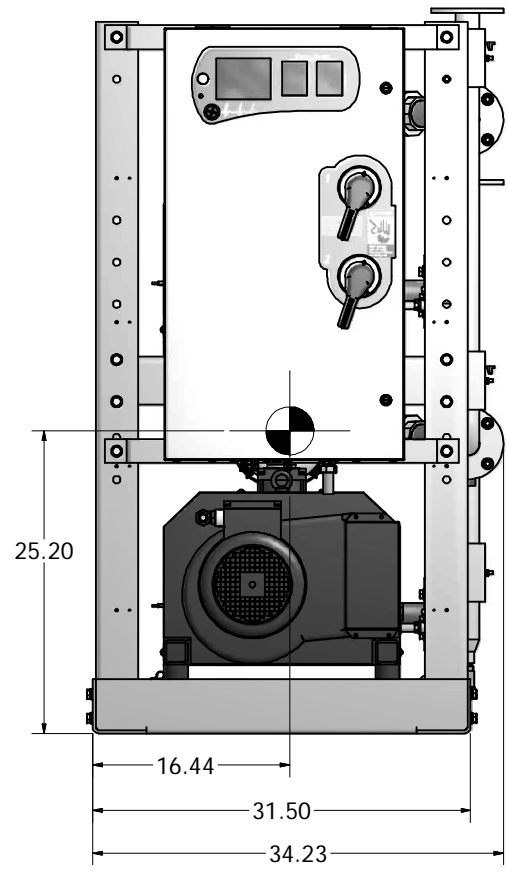
ID	DESCRIPTION
I	INLET LOCATION
D	DISCHARGE LOCATION
C	CONDENSATE DRAIN LOCATION
T	TANK DRAIN



MINIMUM CLEARANCE FOR MAINTENANCE & VENTILATION



120 GAL VACUUM RECEIVER
2" FLANGED CONNECTIONS
(SCALE 1:10)



INSPECTION CHECKLIST UNLESS OTHERWISE SPECIFIED: ◇ ○	Revised: _____ Date: _____ Drawn: JDY Date: 1/11/2010	UNLESS OTHERWISE SPECIFIED ALL DIMENSIONS ARE IN INCHES AND TOLERANCES ARE: XX ± .02 XXX ± .005 ANGLES ± .5	Scale: 1/8
ALL ITEMS MARKED BY ONE OF THE ABOVE SYMBOLS ARE TO BE INSPECTED. EQUIPMENT TO BE USED DURING RECEIVING INSPECTION SHALL BE PER QUALITY SYSTEM PROCEDURES	BEACONMEDICS Description: GENERAL ASSEMBLY 7.5HP DX CLAW VAC MOD 120G RECEIVER STANDARD AND O2 ASSURED		Part Number: 4107 8513 10 DN: USN100047 Rev: 00 Sheet 1 of 1 DO NOT SCALE THIS DOCUMENT