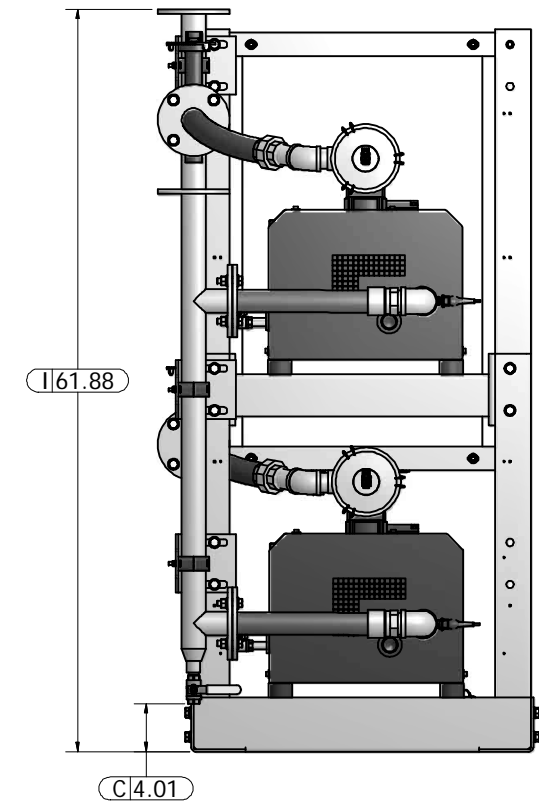
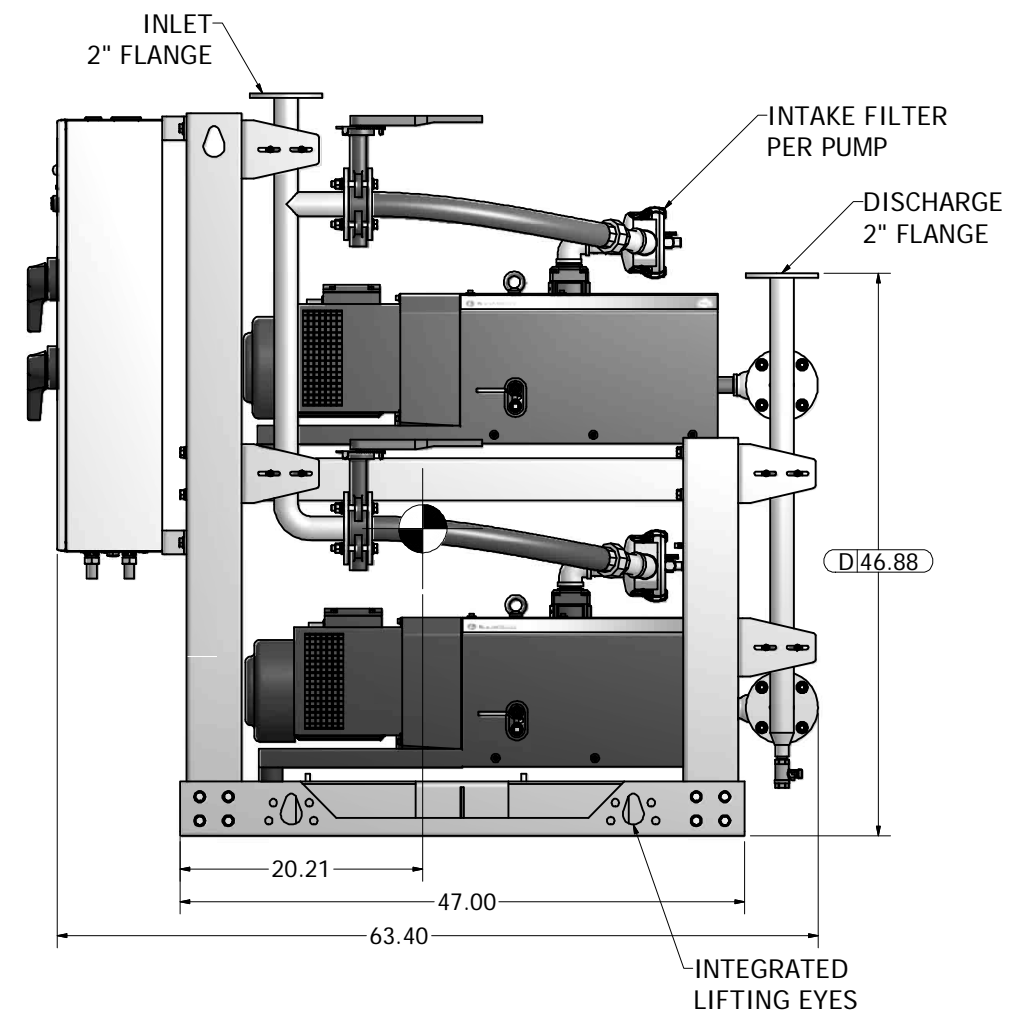
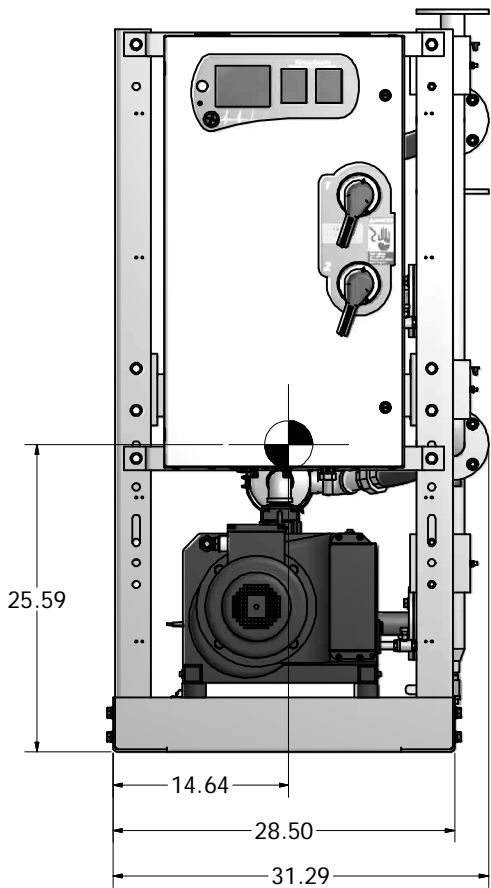
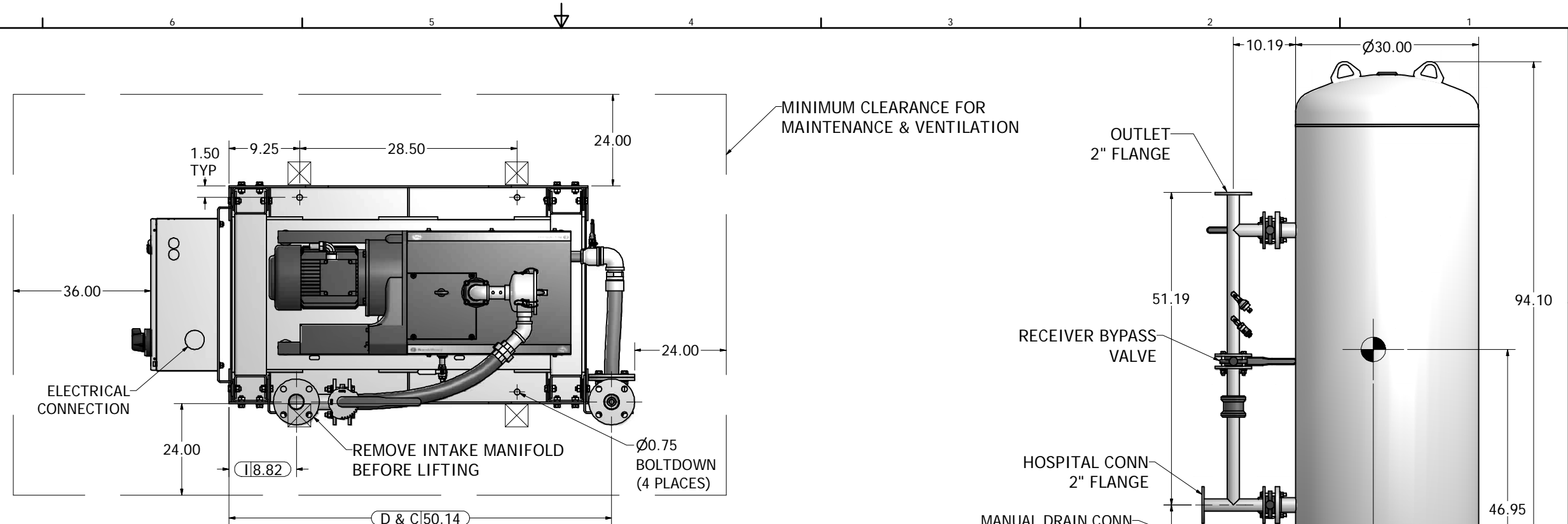


Notes:

- DISCHARGE MUFFLER WILL BE SHIPPED LOOSE.
- DX MODULE WEIGHT: 1,380 LBS
240G TANK WEIGHT: 693 LBS
- ☒ INDICATES LIFTING POINT.
- DENOTES CENTER OF GRAVITY.

SYSTEM CONNECTIONS	
ID	DESCRIPTION
I	INLET LOCATION
D	DISCHARGE LOCATION
C	CONDENSATE DRAIN LOCATION
T	TANK DRAIN



240 GAL VACUUM RECEIVER
2" FLANGED CONNECTIONS
(SCALE 1:10)

Revised:	Date:	Drawn: JDY	Date: 1/11/2010
		This drawing and the information contained therein remain the property of BeaconMedes and may not be used for other than the purpose for which it is loaned without the expressed written permission from BeaconMedes Engineering.	
Description: GENERAL ASSEMBLY 5.4HP DX CLAW VAC MOD 240G RECEIVER STANDARD AND O2 ASSURED		Part Number: 4107 8513 06 Rev: 00 Sheet 1 of 1	
Scale: 1/8		DO NOT SCALE THIS DOCUMENT	