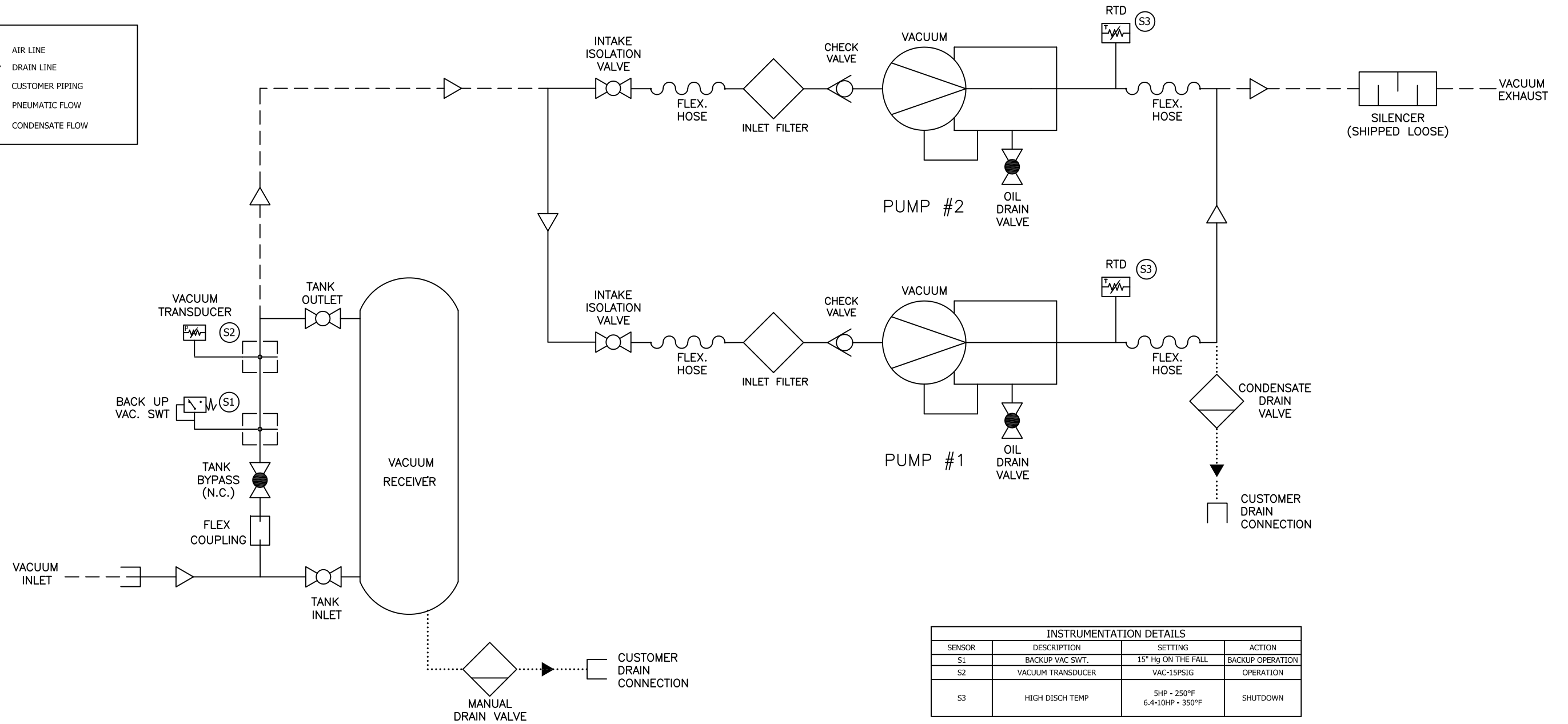
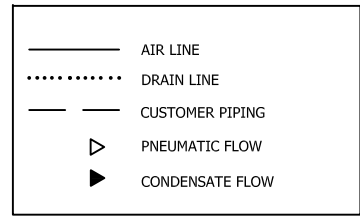


This drawing and the information contained therein remain the property of BeaconMedias and may not be used for other than the purpose for which it is loaned without the expressed written permission from BeaconMedias Engineering.



INSTRUMENTATION DETAILS			
SENSOR	DESCRIPTION	SETTING	ACTION
S1	BACKUP VAC. SWT.	15" Hg ON THE FALL	BACKUP OPERATION
S2	VACUUM TRANSDUCER	VAC-15PSIG	OPERATION
S3	HIGH DISCH TEMP	5HP - 250°F 6.4-10HP - 350°F	SHUTDOWN

Revised:	Date:	Drawn:	Date:
		MDB	03/30/10
		This drawing and the information contained herein remain the property of BeaconMedias and may not be used for other than the purpose for which it is loaned without the expressed written permission from BeaconMedias Engineering.	
Description: PNEUMATIC DIAGRAM DX 5-10HP CLAW VAC MOD		Part Number: 4107 8516 85	
DN:		Rev:	
Sheet 1 of 1		DO NOT SCALE THIS DOCUMENT	