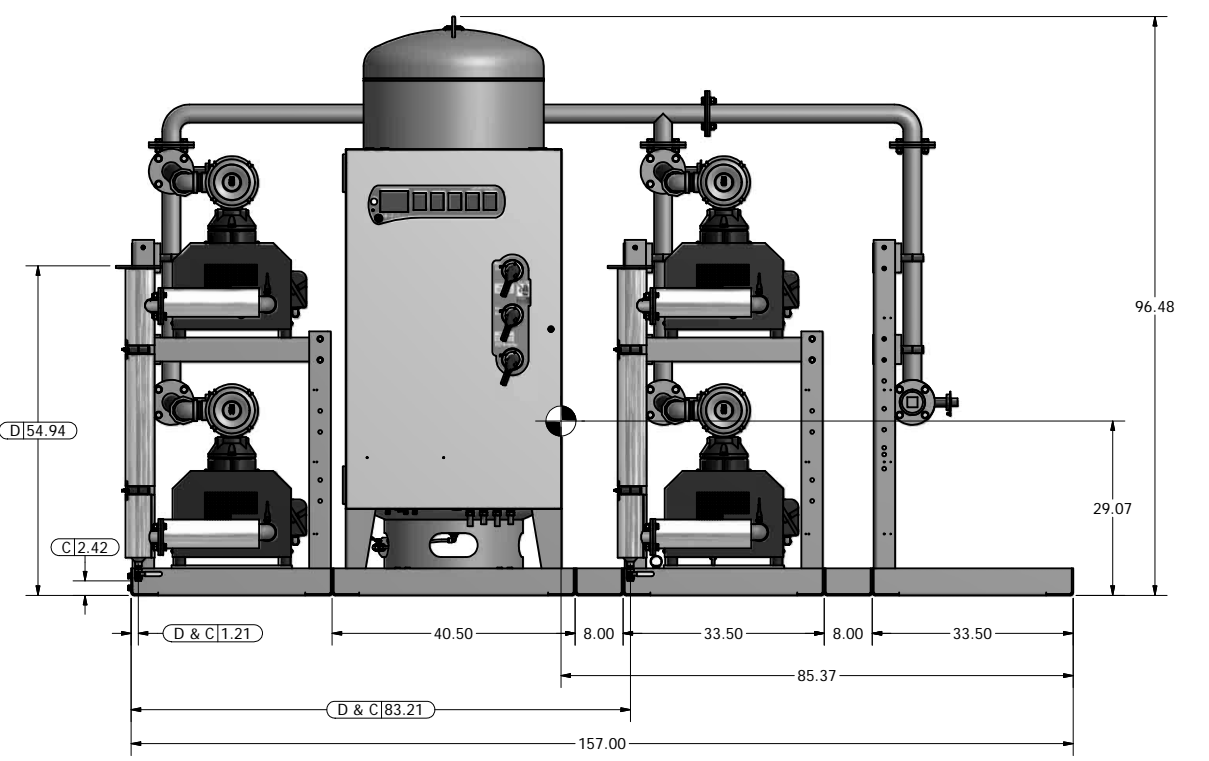
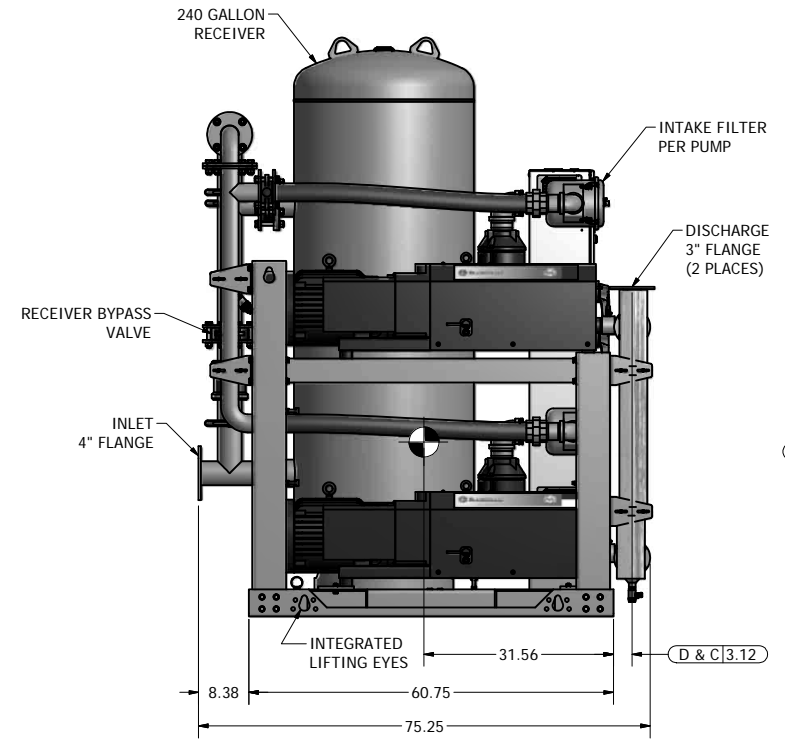
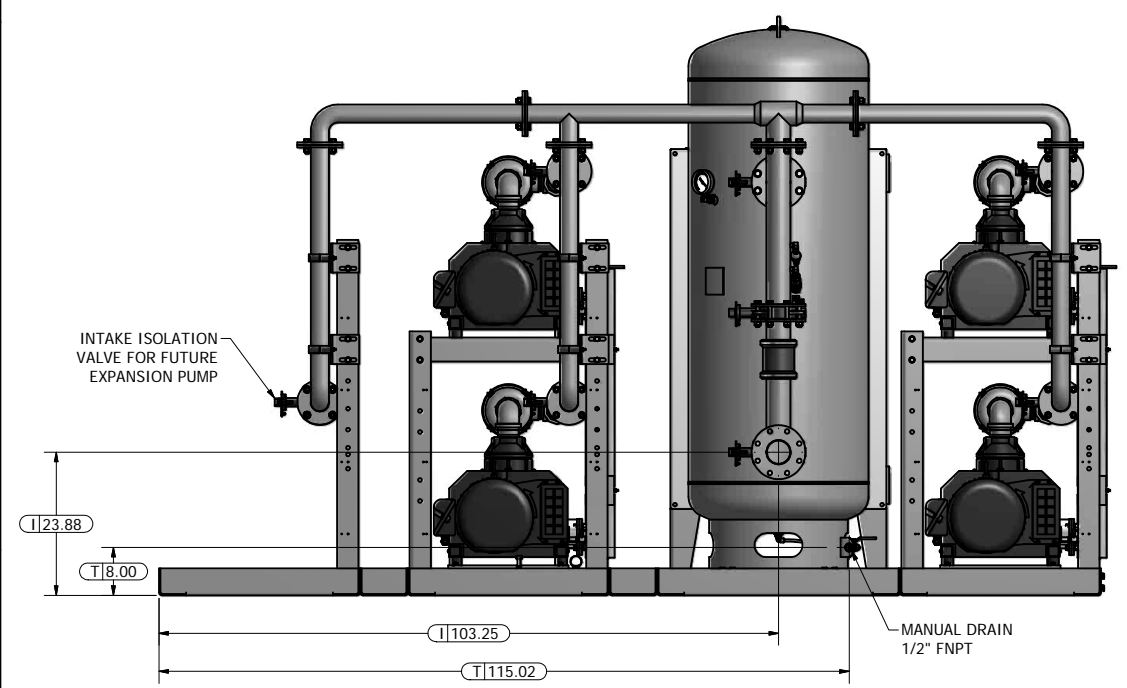
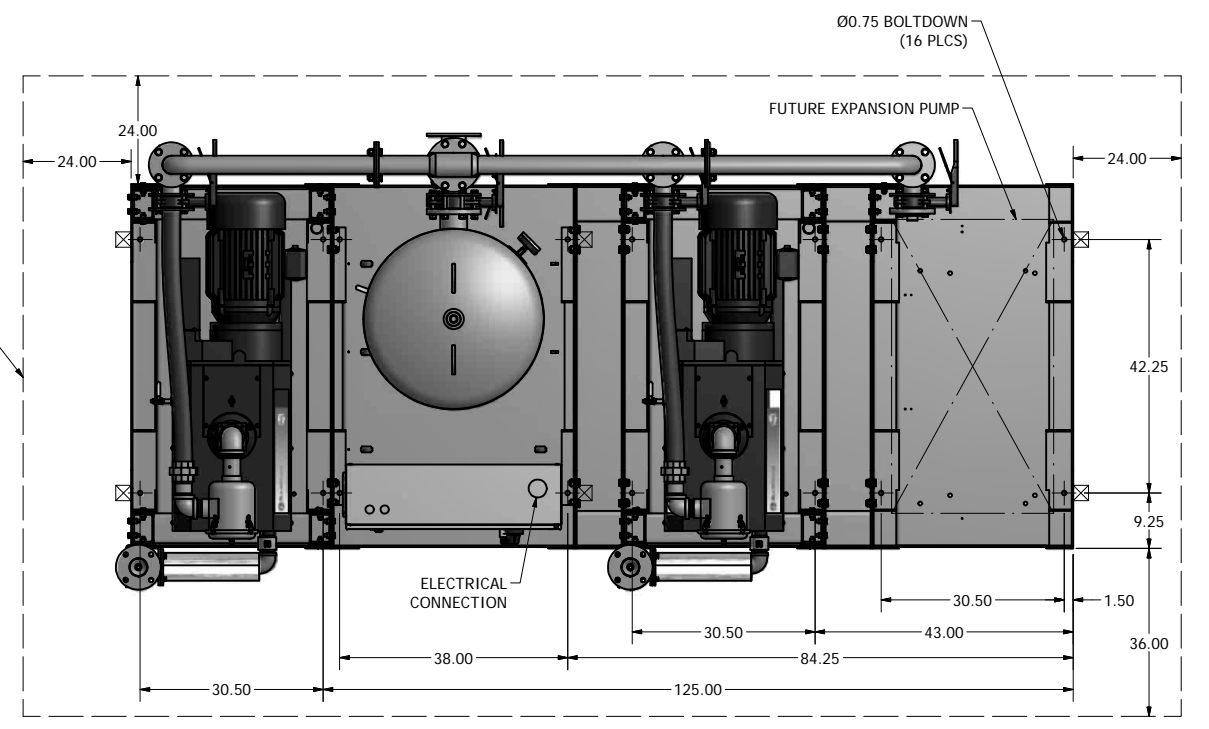


Notes:

- DISCHARGE MUFFLERS WILL BE SHIPPED LOOSE.
- SYSTEM WEIGHT: 7,170 LBS.
(INCLUDES FUTURE EXPANSION PUMP)
- ☒ INDICATES LIFTING POINT.
- DENOTES CENTER OF GRAVITY.
(INCLUDES FUTURE EXPANSION PUMP)

SYSTEM CONNECTIONS	
ID	DESCRIPTION
I	INLET LOCATION
D	DISCHARGE LOCATION
T	TANK DRAIN LOCATION
C	CONDENSATE DRAIN LOCATION



Revised:	Date:	Drawn:	Date:
		JWO	01/13/2014
		This drawing and the information contained therein remain the property of BeaconMedes and may not be used for other than the purpose for which it is loaned without the expressed written permission from BeaconMedes Engineering.	
Description: GENERAL ASSEMBLY 15HP QX-EXP-PX CLAW VSD VAC SPC 240G RECEIVER		Part Number: 4107 8549 71 DN: HOP131370 Rev: 00 Sheet 1 of 1 DO NOT SCALE THIS DOCUMENT	