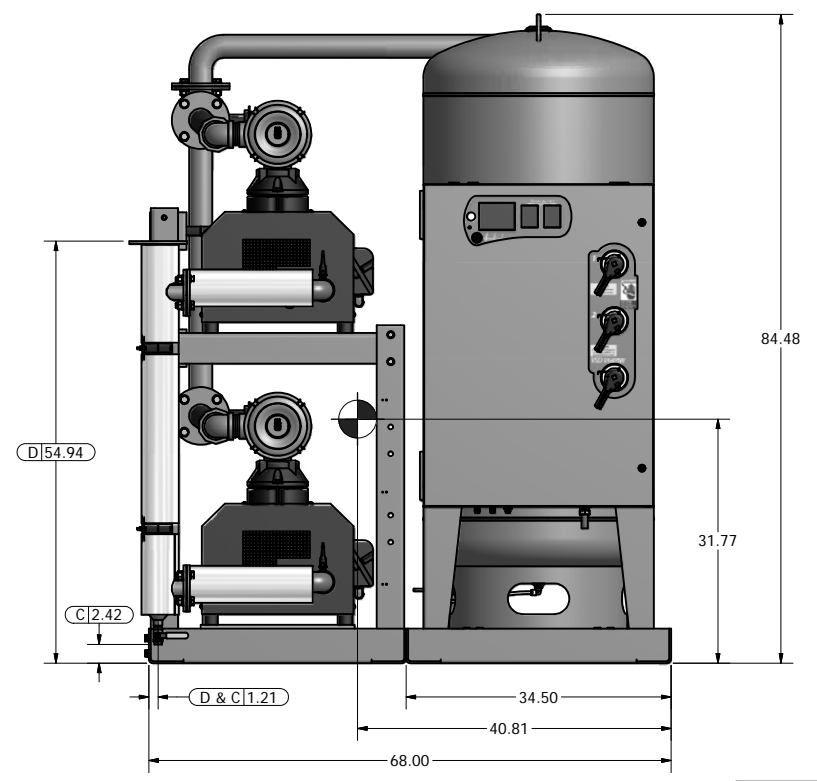
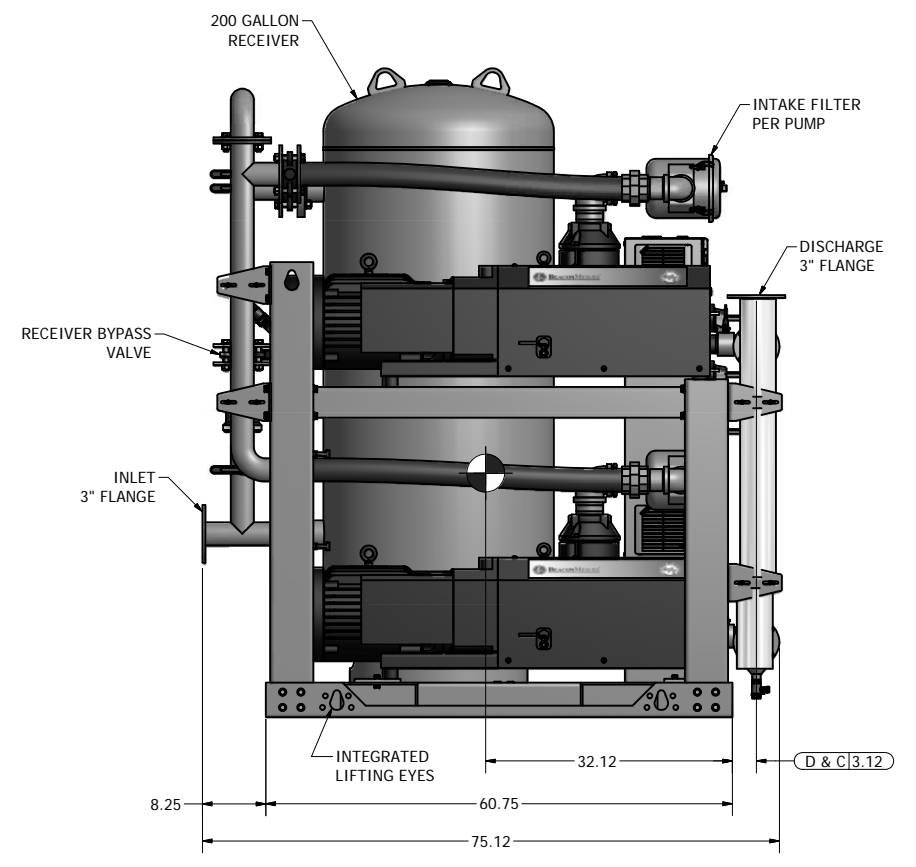
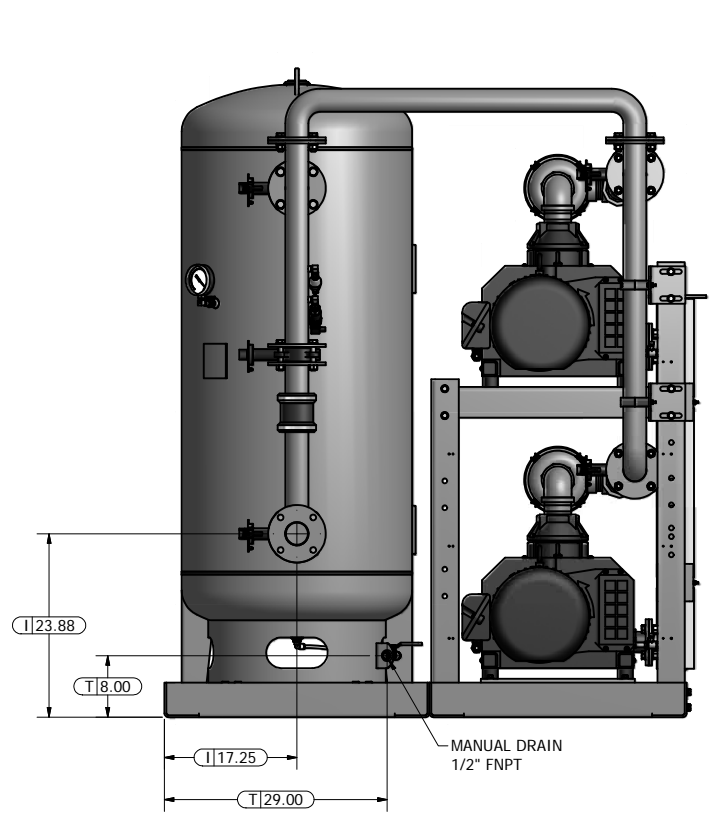
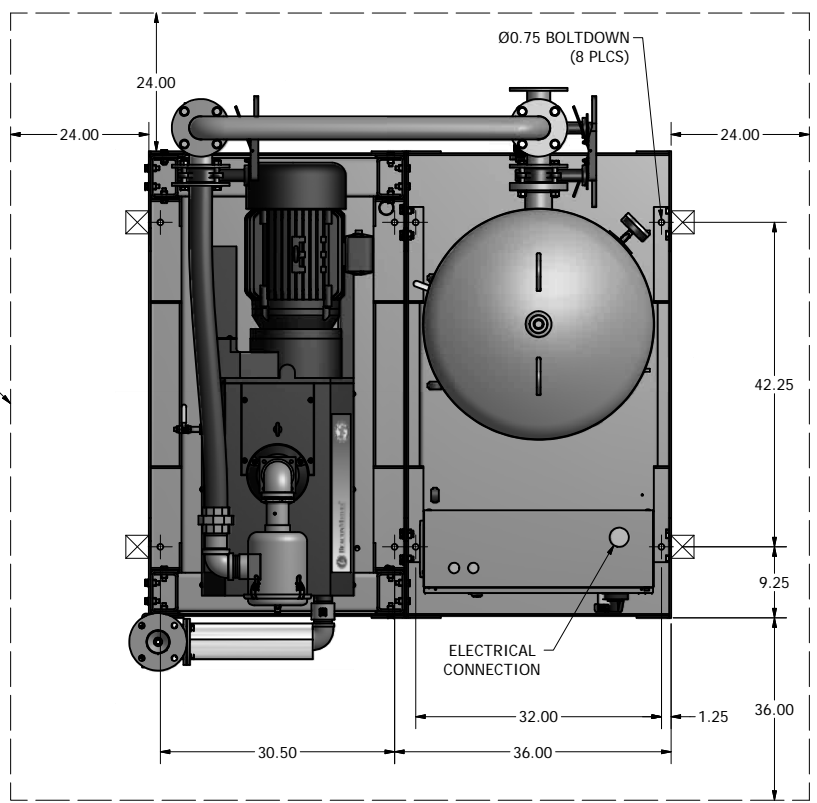


Notes:

- DISCHARGE MUFFLER WILL BE SHIPPED LOOSE.
- SYSTEM WEIGHT: 3,282 LBS.
- ☒ INDICATES LIFTING POINT.
- DENOTES CENTER OF GRAVITY.

SYSTEM CONNECTIONS	
ID	DESCRIPTION
I	INLET LOCATION
D	DISCHARGE LOCATION
T	TANK DRAIN LOCATION
C	CONDENSATE DRAIN LOCATION



Revised:	Date:	Drawn: JWO	Date: 02/10/2014
		This drawing and the information contained therein remain the property of BeaconMedes and may not be used for other than the purpose for which it is loaned without the expressed written permission from BeaconMedes Engineering.	
Description: GENERAL ASSEMBLY 15HP DX CLAW VSD VAC SPC 200G RECEIVER		Part Number: 4107 8549 32 DN: HOP131370 Rev: 00 Sheet 1 of 1 DO NOT SCALE THIS DOCUMENT	