

Notes:

- DISCHARGE MUFFLERS WILL BE SHIPPED LOOSE.
- SYSTEM WEIGHT: 4,520 LBS. (INCLUDES FUTURE EXPANSION PUMP).
- ☒ INDICATES LIFTING POINT.
- DENOTES CENTER OF GRAVITY (INCLUDES FUTURE EXPANSION PUMP).

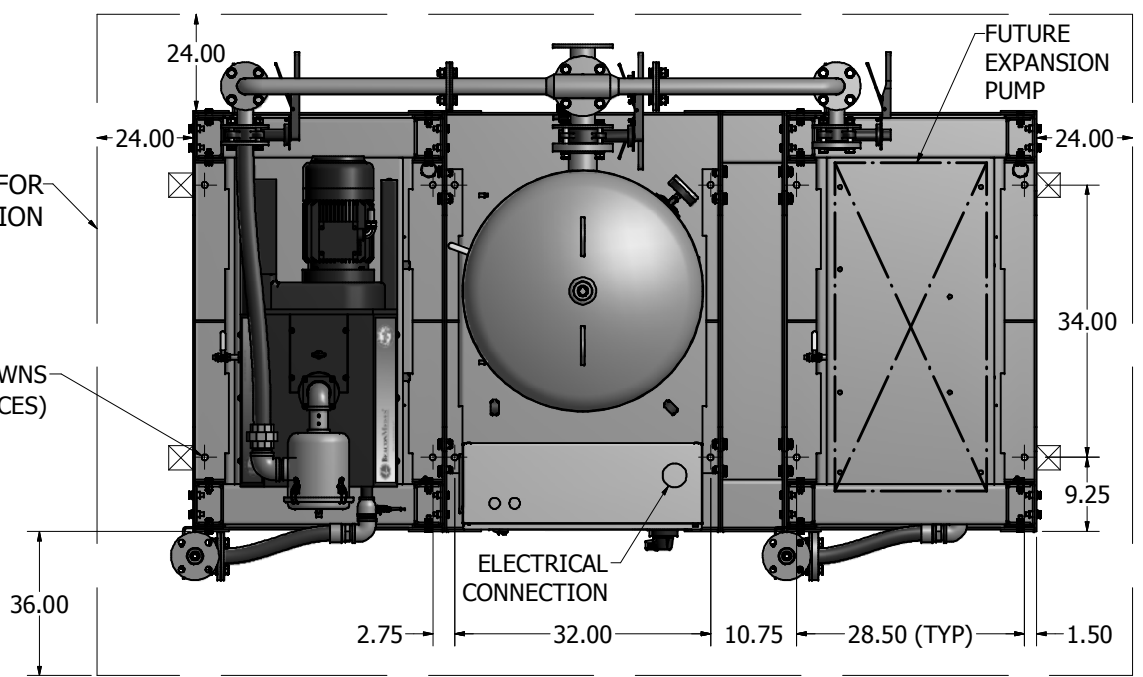
SYSTEM CONNECTIONS	
ID	DESCRIPTION
I	INLET LOCATION
D	DISCHARGE LOCATION
C	CONDENSATE DRAIN LOCATION
T	TANK DRAIN LOCATION

MINIMUM CLEARANCE FOR MAINTENANCE & VENTILATION

Ø0.75 BOLTDOWNS (12 PLACES)

ELECTRICAL CONNECTION

FUTURE EXPANSION PUMP



INTAKE ISOLATION VALVE FOR FUTURE EXPANSION PUMP

240 GALLON RECEIVER

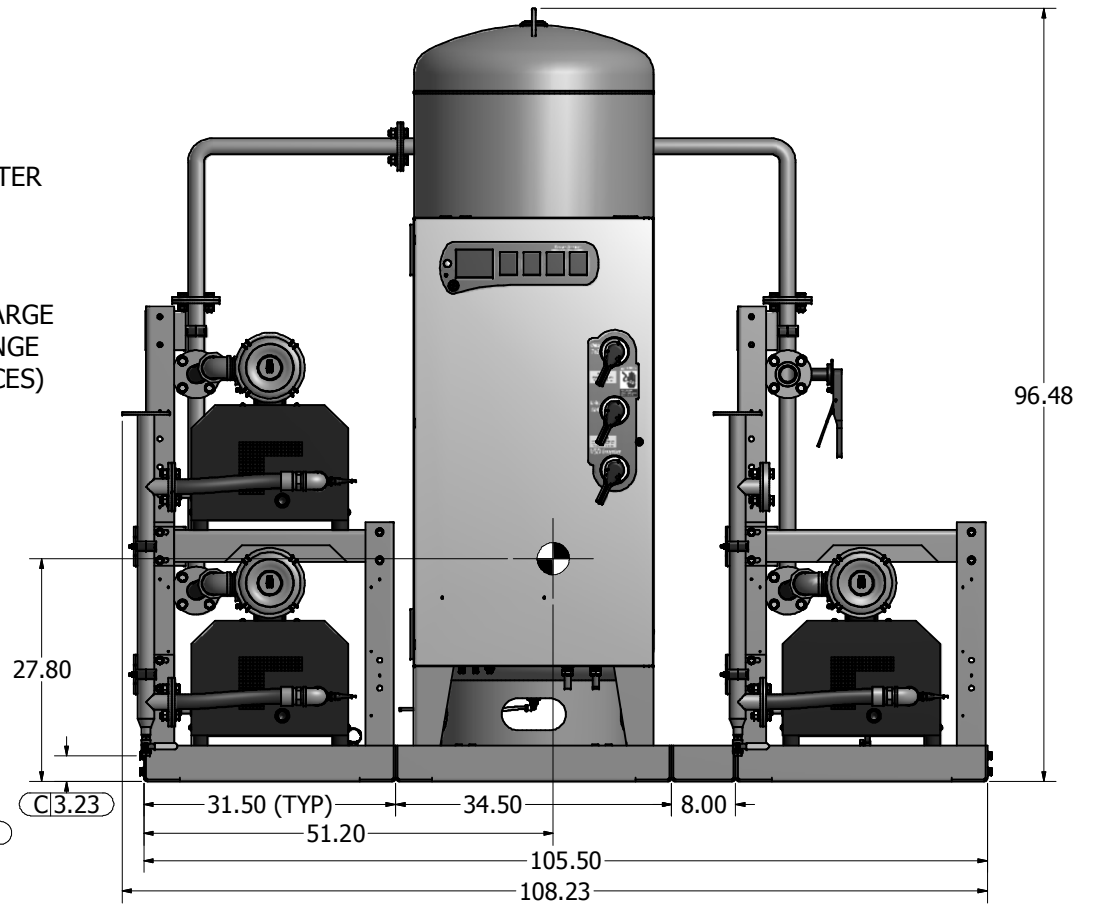
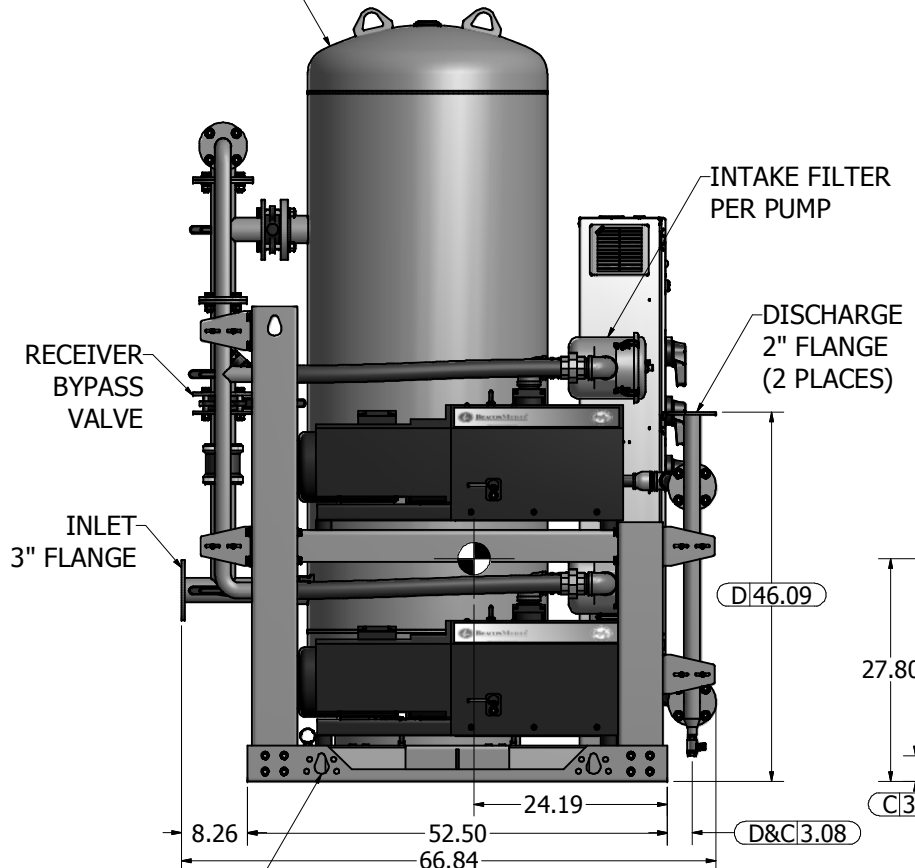
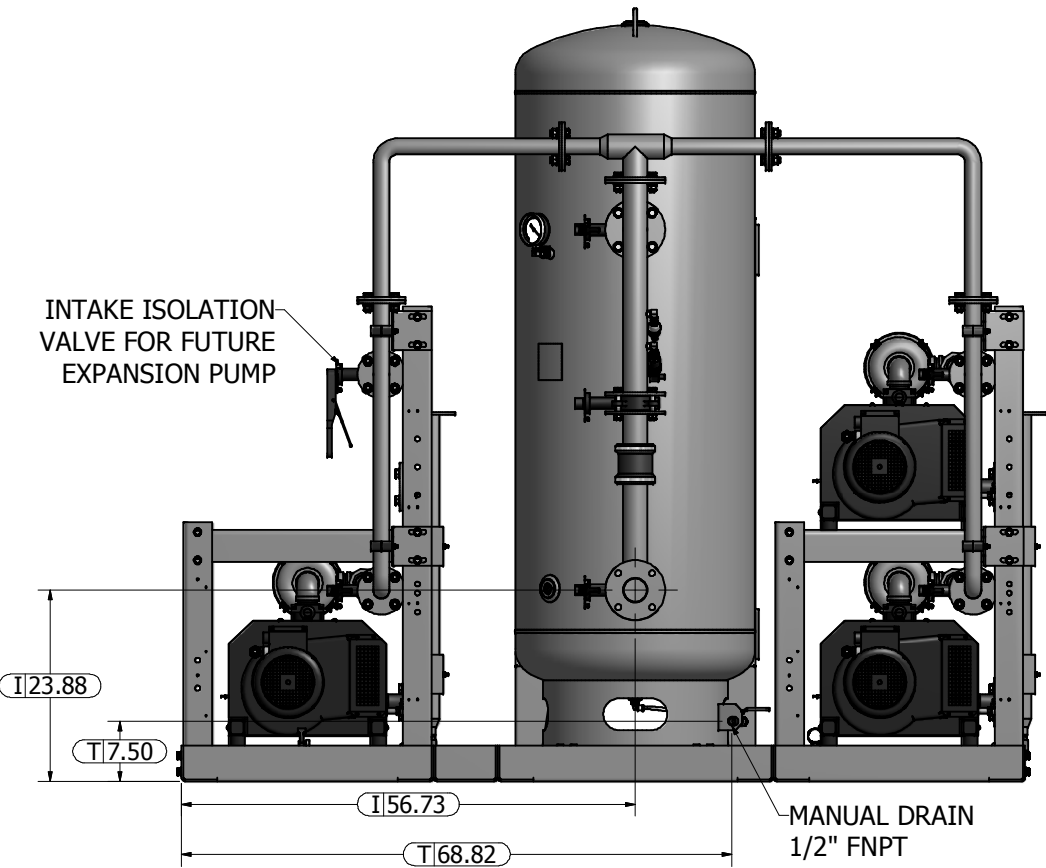
INTAKE FILTER PER PUMP

RECEIVER BYPASS VALVE

DISCHARGE 2" FLANGE (2 PLACES)

INLET 3" FLANGE

INTEGRATED LIFTING EYES



Revised:	Date:	Drawn: JDY	Date: 6/18/2010
		This drawing and the information contained therein remain the property of BeaconMedes and may not be used for other than the purpose for which it is loaned without the expressed written permission from BeaconMedes Engineering.	
Description: GENERAL ASSEMBLY 6.4HP TX-EXP-QX VSD CLAW VAC SPC 240G RECEIVER STANDARD & O2 ASSURED		Part Number: 4107 8515 87	
DN: USN100290		Rev: 00	
Sheet 1 of 1		DO NOT SCALE THIS DOCUMENT	