

Notes:

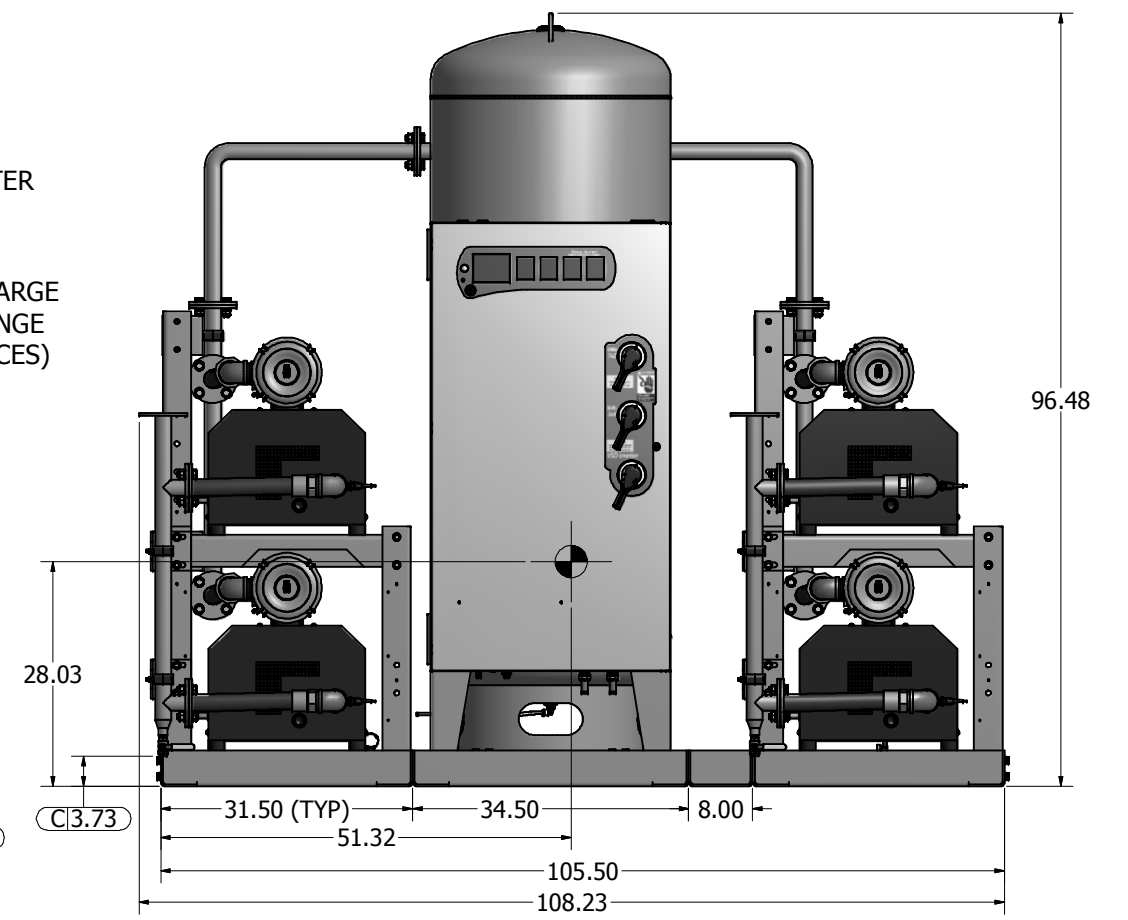
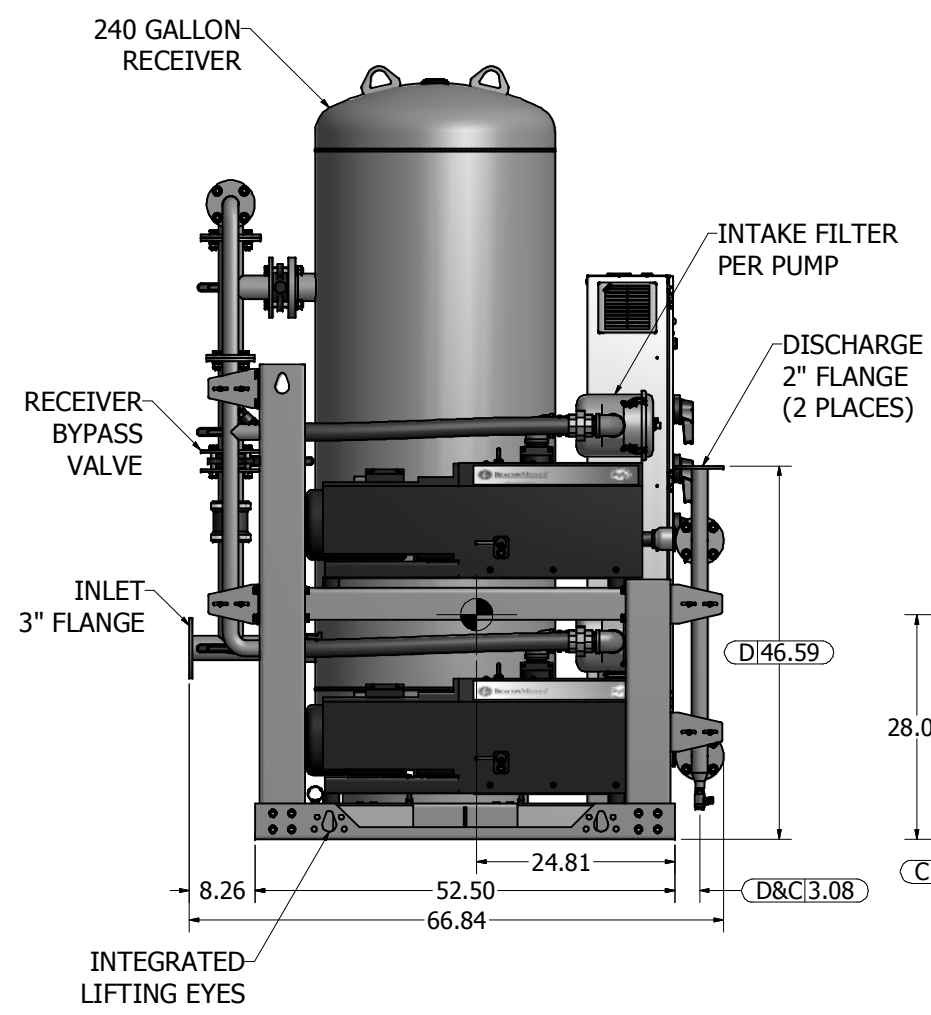
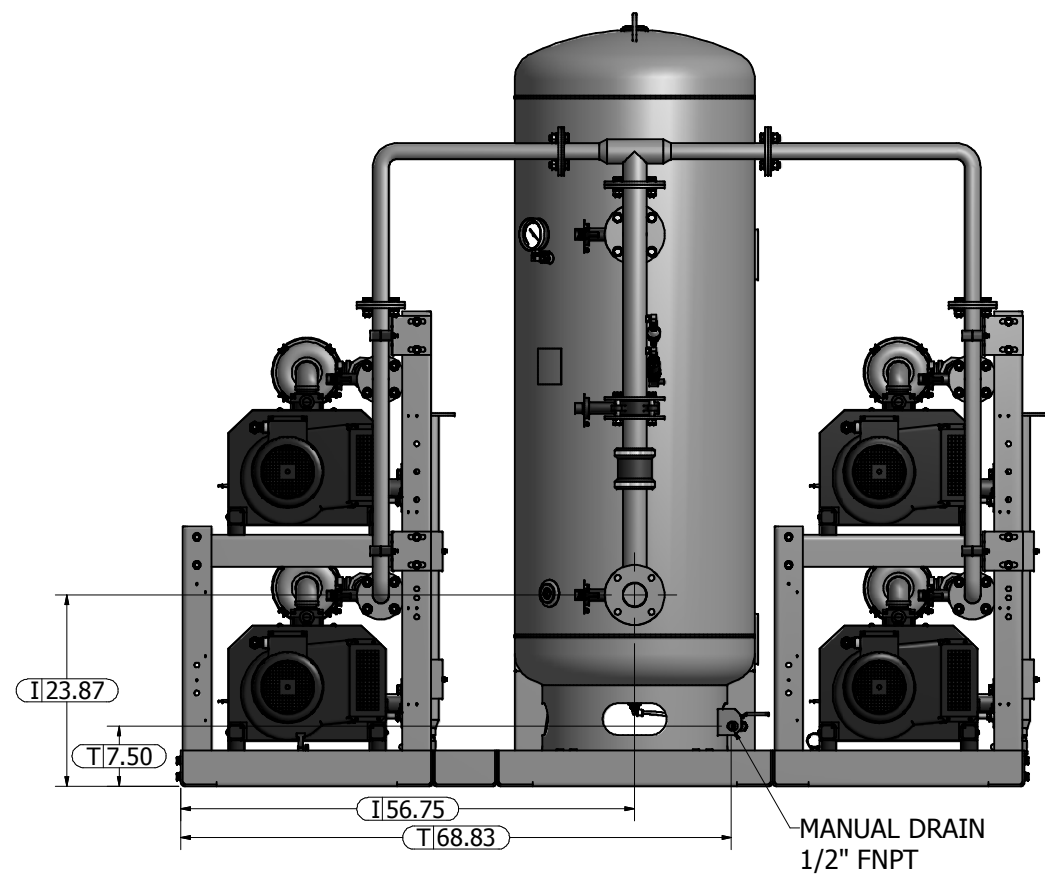
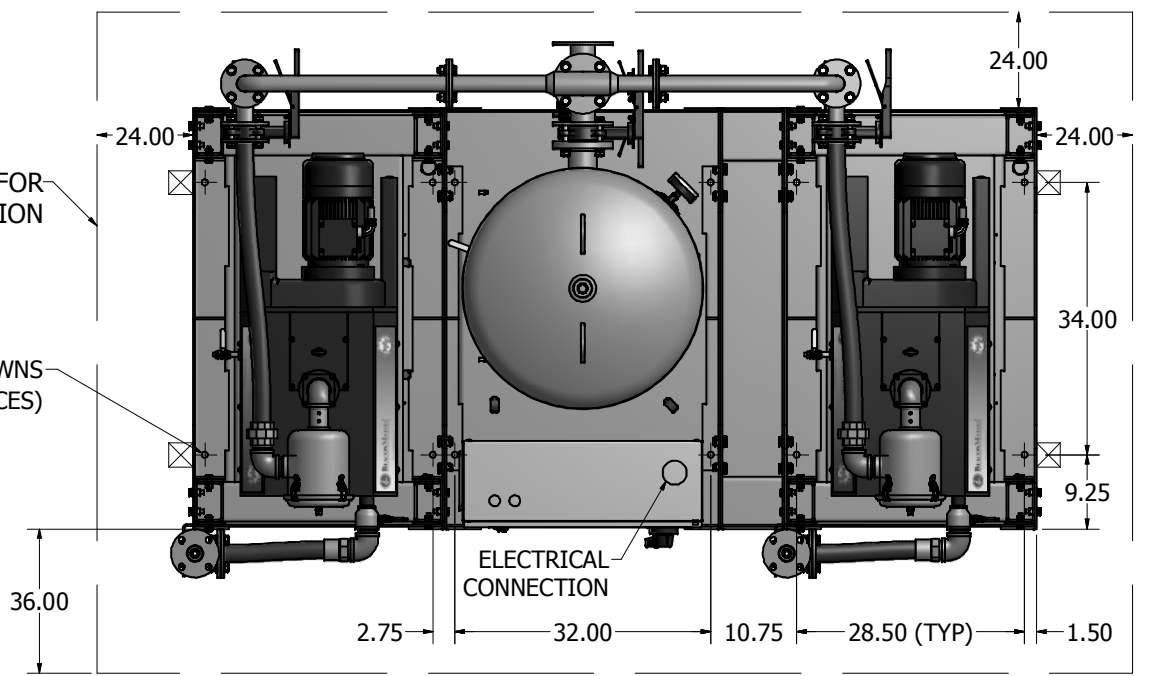
1. DISCHARGE MUFFLERS WILL BE SHIPPED LOOSE.
2. SYSTEM WEIGHT: 4,576 LBS.
3. ☒ INDICATES LIFTING POINT.
4. ● DENOTES CENTER OF GRAVITY.

SYSTEM CONNECTIONS	
ID	DESCRIPTION
I	INLET LOCATION
D	DISCHARGE LOCATION
C	CONDENSATE DRAIN LOCATION
T	TANK DRAIN LOCATION

MINIMUM CLEARANCE FOR MAINTENANCE & VENTILATION

Ø0.75 BOLTDOWNS (12 PLACES)

ELECTRICAL CONNECTION



Revised:	Date:	Drawn: CSB	Date: 5/18/2010
		This drawing and the information contained therein remain the property of BeaconMedes and may not be used for other than the purpose for which it is loaned without the expressed written permission from BeaconMedes Engineering.	
Description: GENERAL ASSEMBLY 8.7HP QX VSD CLAW VAC SPC 240G RECEIVER STANDARD & O2 ASSURED		Part Number: 4107 8514 74 Rev: 00	
DN: USN100246		Sheet 1 of 1	
DO NOT SCALE THIS DOCUMENT		Scale: 1/12	