

Notes:

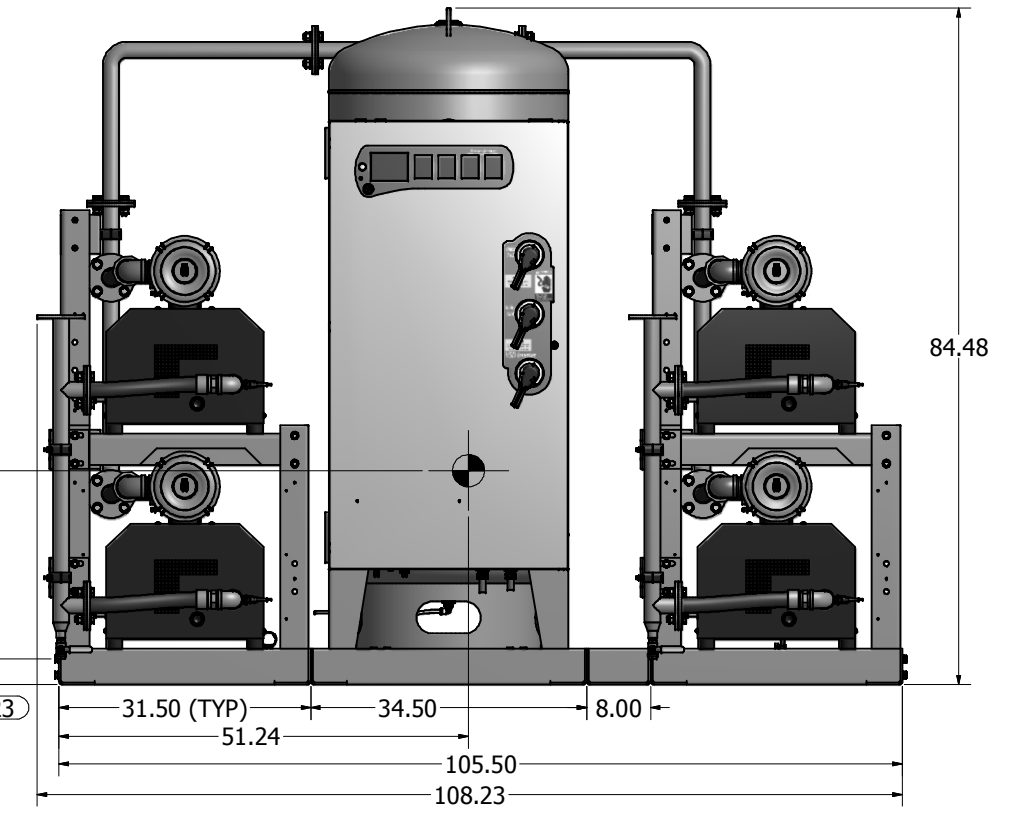
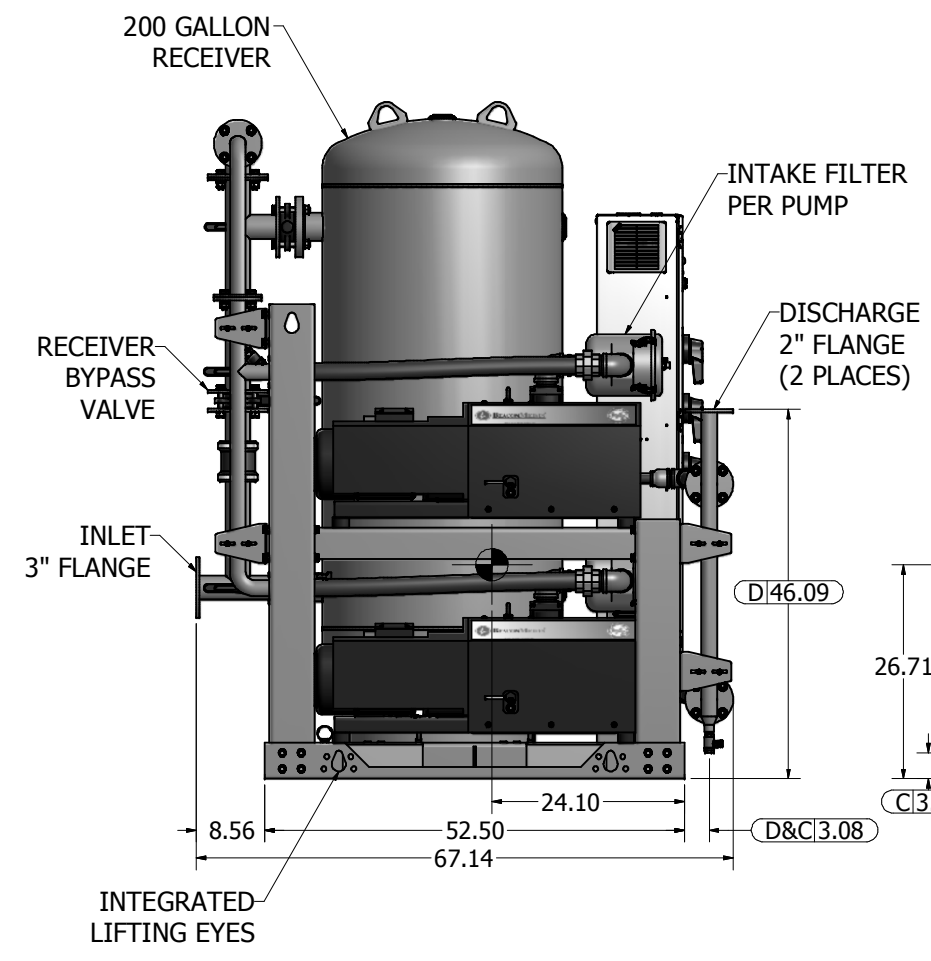
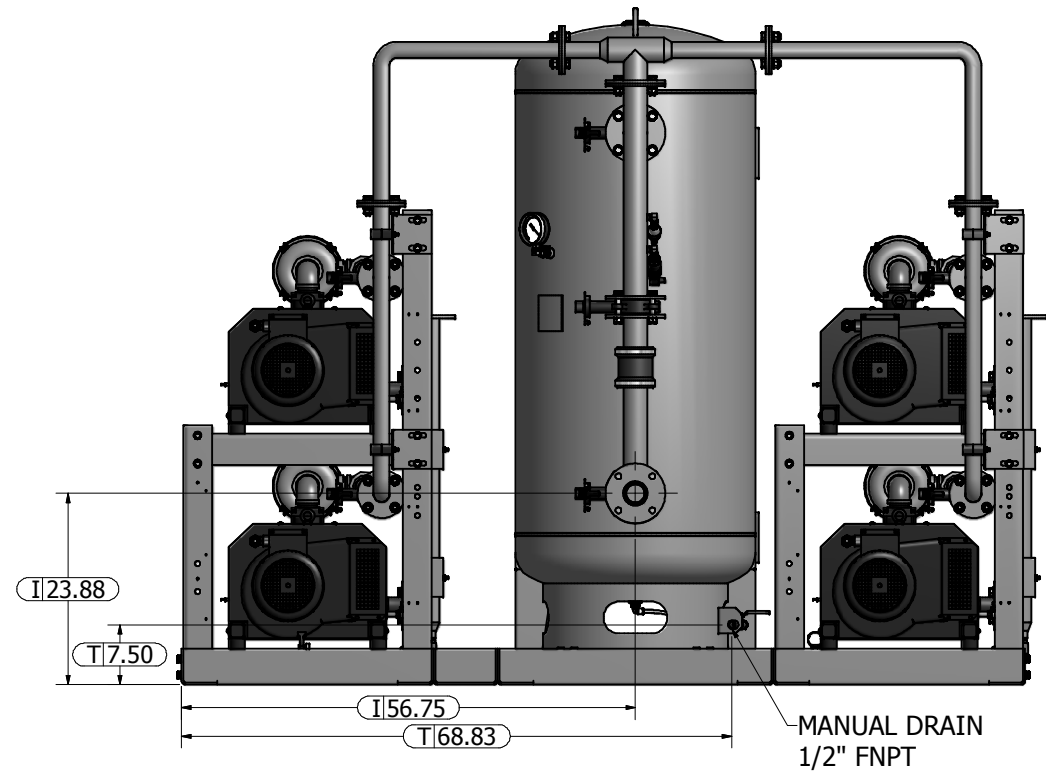
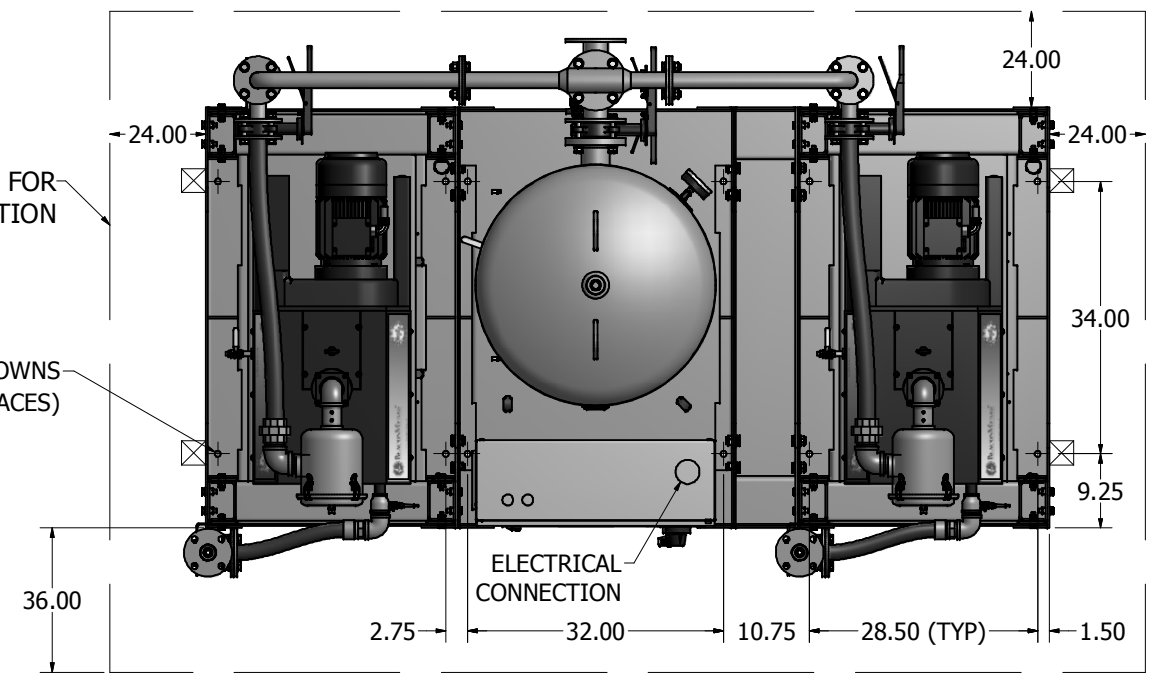
- DISCHARGE MUFFLERS WILL BE SHIPPED LOOSE.
- SYSTEM WEIGHT: 4,445 LBS.
- ☒ INDICATES LIFTING POINT.
- DENOTES CENTER OF GRAVITY.

SYSTEM CONNECTIONS	
ID	DESCRIPTION
I	INLET LOCATION
D	DISCHARGE LOCATION
C	CONDENSATE DRAIN LOCATION
T	TANK DRAIN LOCATION

MINIMUM CLEARANCE FOR MAINTENANCE & VENTILATION

Ø0.75 BOLTDOWNS (12 PLACES)

ELECTRICAL CONNECTION



Revised:	Date:	Drawn: CSB	Date: 5/17/2010
			Scale: 1/12
Description: GENERAL ASSEMBLY 6.4HP QX VSD CLAW VAC SPC 200G RECEIVER STANDARD & O2 ASSURED			Part Number: 4107 8514 69
DN: USN100246		Rev: 00	
Sheet 1 of 1		DO NOT SCALE THIS DOCUMENT	