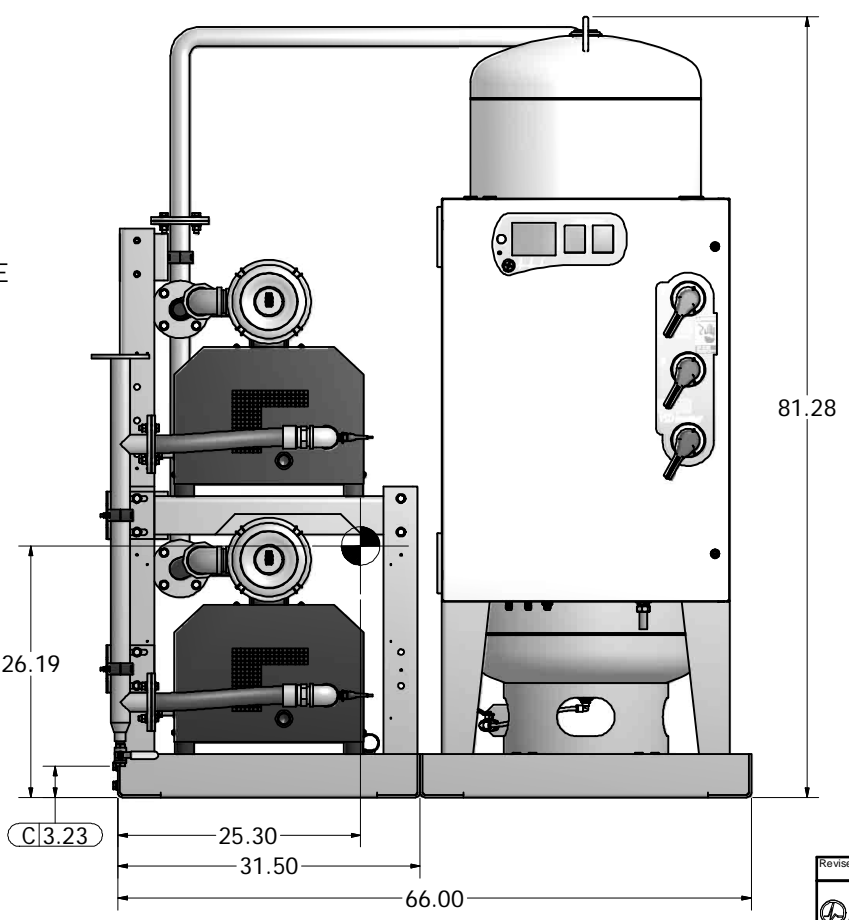
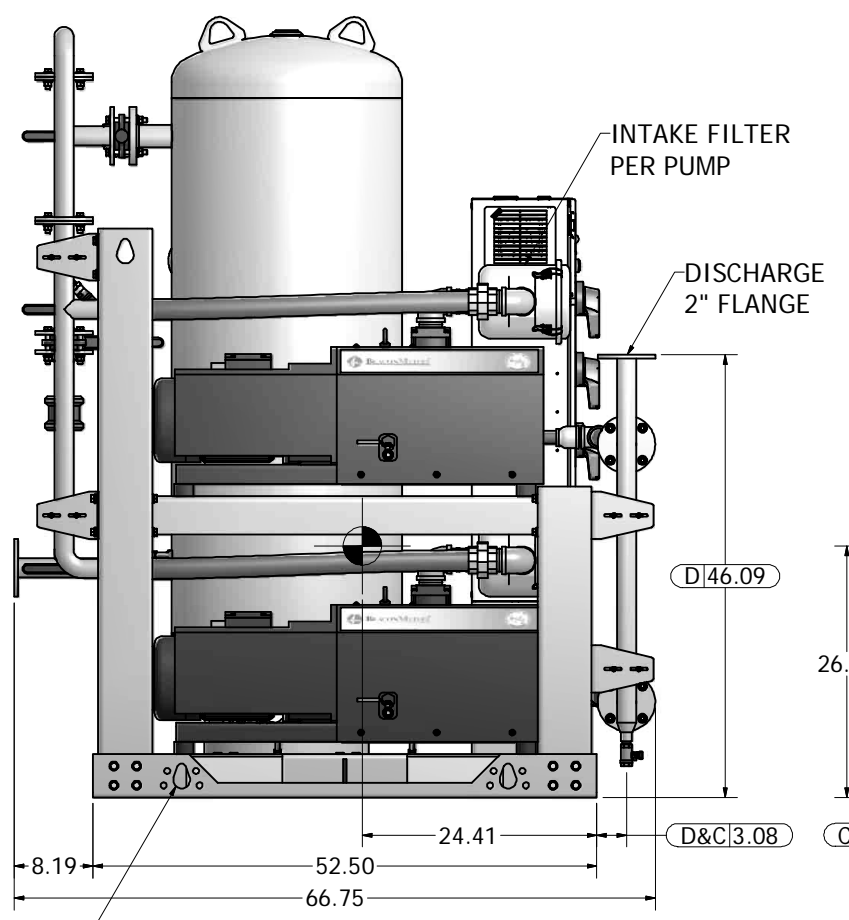
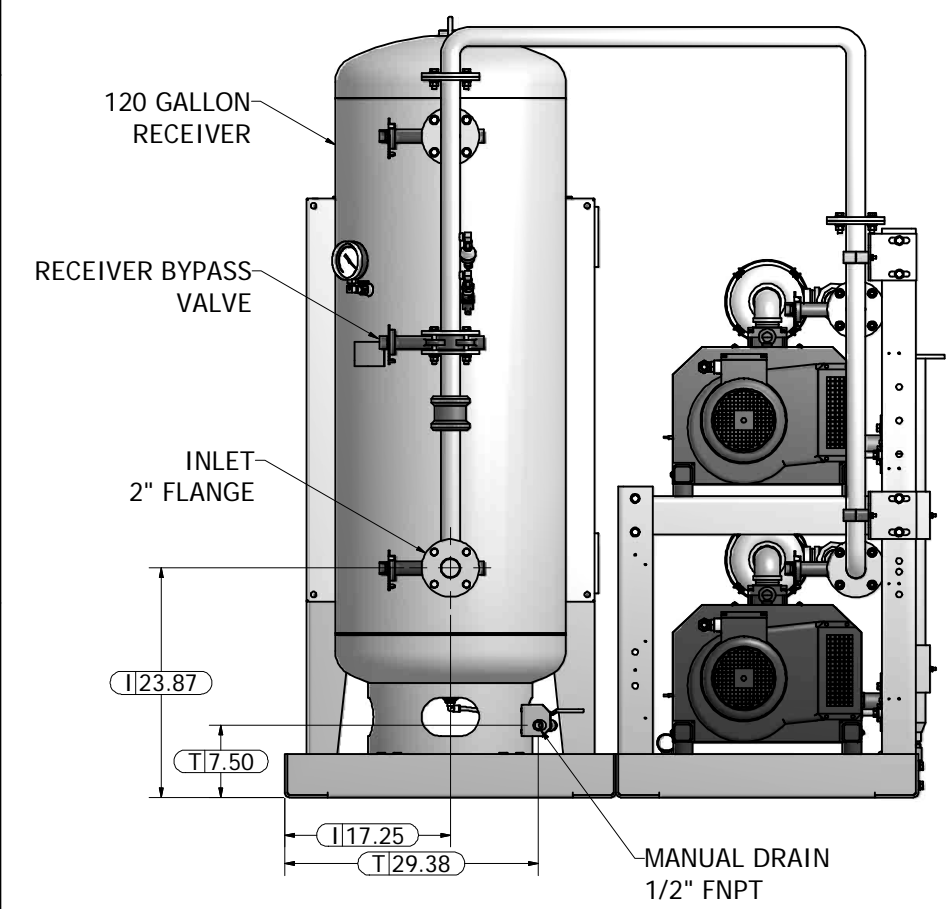
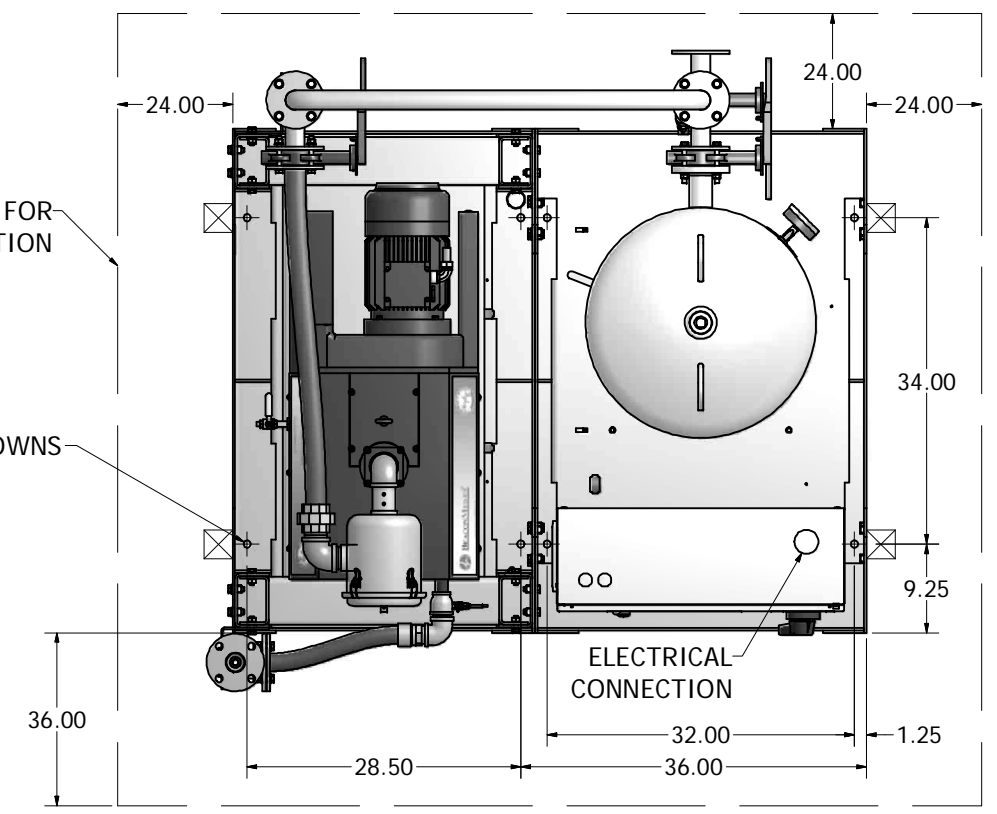


- Notes:
1. DISCHARGE MUFFLER WILL BE SHIPPED LOOSE.
 2. SYSTEM WEIGHT: 2,443 LBS.
 3. ☒ INDICATES LIFTING POINT.
 4. ● DENOTES CENTER OF GRAVITY.

SYSTEM CONNECTIONS	
ID	DESCRIPTION
I	INLET LOCATION
D	DISCHARGE LOCATION
C	CONDENSATE DRAIN LOCATION
T	TANK DRAIN LOCATION



Revised:	Date:	Drawn:	Date:
		CSB	5/6/2010
		This drawing and the information contained therein remain the property of BeaconMedes and may not be used for other than the purpose for which it is loaned without the expressed written permission from BeaconMedes Engineering.	
Description: GENERAL ASSEMBLY 7.5HP DX VSD CLAW VAC SPC 120G RECEIVER STANDARD & O2 ASSURED		Part Number: 4107 8514 46	
DN: USN100217		Rev: 00	
Sheet 1 of 1		DO NOT SCALE THIS DOCUMENT	