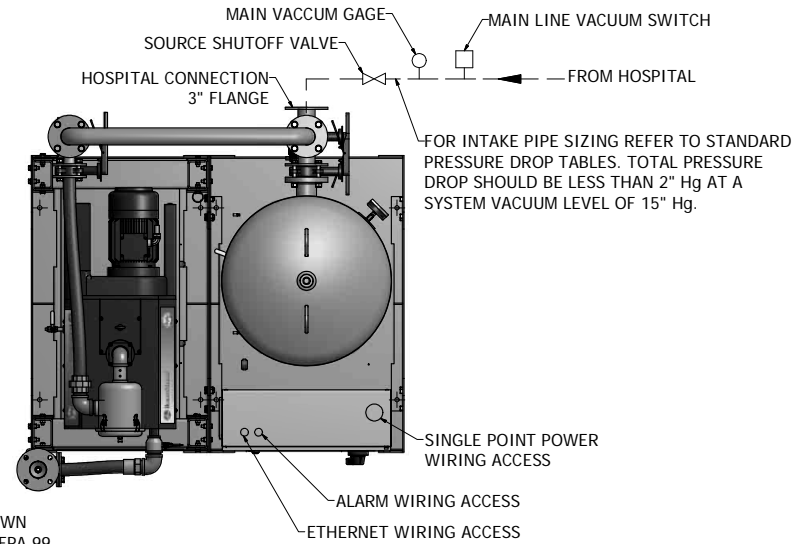


NOTES:

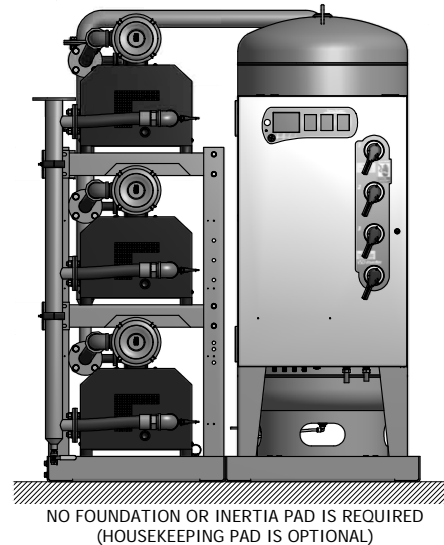
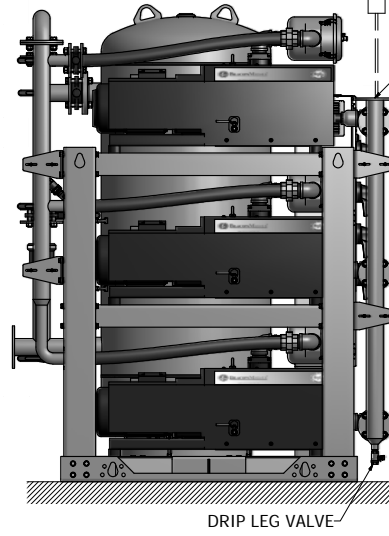
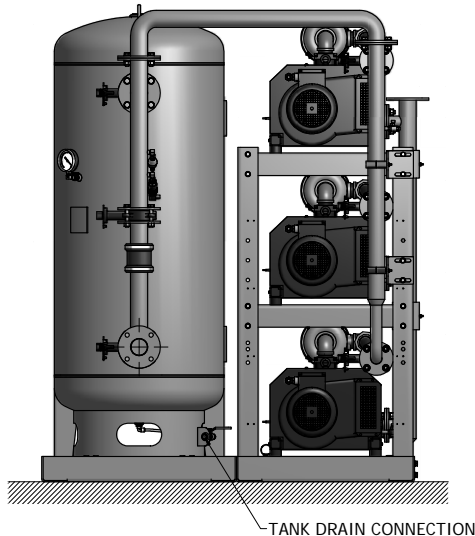
1. ALL INTERCONNECTING PIPE AND FITTINGS SHALL BE INSTALLED BY THE CONTRACTOR.
2. ALL PIPING SHALL BE INSTALLED IN ACCORDANCE WITH NFPA 99, 2005 EDITION. PIPING LAYOUT IS DIAGRAMMATIC ONLY. FINAL ARRANGEMENT WILL BE SITE SPECIFIC. CONTRACTOR WILL BE RESPONSIBLE FOR FIELD VERIFICATION AND COORDINATING ACTUAL LOCATION WITH ALL OTHER TRADES.
3. CONTRACTOR SHALL VERIFY MOTOR VOLTAGE, PHASE AND AMP RATINGS BEFORE STARTING ELECTRICAL INSTALLATION; AND MAKE CERTAIN THE VOLTAGE SUPPLIED BY THE HOSPITAL IS THE SAME.
4. THE ROOM REQUIRES DEDICATED MECHANICAL VENTILATION WITH AN ALLOWABLE TEMPERATURE VARIANCE OF 40° TO 105°F. (FOR HIGHER AMBIENTS, CONSULT FACTORY)
5. ELECTRICAL POWER SHALL BE SUPPLIED FROM THE EQUIPMENT SYSTEM BRANCH OF THE ESSENTIAL ELECTRICAL SYSTEM (EMERGENCY POWER).
6. EQUIPMENT, INSTALLATION, AND TESTING OF THE MEDICAL VACUUM SYSTEM SHALL COMPLY WITH NFPA 99, 2005 EDITION, AND ALL STATE AND LOCAL CODES OR ORDINANCES.
7. WIRE LAG PUMP RUNNING ALARM REMOTE CONTACTS IN THIS CONTROL SYSTEM TO MASTER ALARM SYSTEM AS REQUIRED BY NFPA 99.
8. ALL ACCESSORIES, PIPE AND FITTINGS, EXCEPT DISCHARGE SILENCERS, BEYOND INLET AND DISCHARGE PORTS ARE SUPPLIED AND INSTALLED BY OTHERS.
9. WHEN DETERMINING THE TOTAL PIPE LENGTH, ADD ALL THE STRAIGHT LENGTHS OF PIPE TOGETHER IN ADDITION TO THE NUMBER OF ELBOWS TIME THE EFFECTIVE PIPE LENGTH FOR THAT PIPE SIZE. (SEE EQUIVALENT PIPE LENGTH TABLE & EXAMPLE CALCULATION IN THE O&M MANUAL)



PIPE EXHAUST OUTSIDE, TURN DOWN AND SCREEN PER NFPA 99

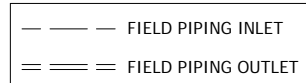
3" EXHAUST SILENCER (1 SUPPLIED WITH UNIT)

DISCHARGE 3" FLANGE



EXHAUST PIPE SIZE TABLE (SEE NOTE 9)				
UNIT SIZE	PIPE LENGTH			
		0-50'	51'-150'	151'-500'
TX 6.4	2.50" NPT	3.00" NPT	4.00" NPT	
UNIT SIZE	PIPE LENGTH			
		0-75'	76'-350'	351'-500'
TX 7.5	3.00" NPT	4.00" NPT	5.00" NPT	
UNIT SIZE	PIPE LENGTH			
		0-75'	76'-250'	251'-500'
TX 8.7	3.00" NPT	4.00" NPT	5.00" NPT	

EFFECTIVE PIPE LENGTHS FOR ELBOWS				
PIPE SIZE (IN)	2.50" NPT	3.00" NPT	4.00" NPT	5.00" NPT
EFF. PIPE LENGTH (FT)	6.4	7.9	10	11.9



Revised: CCC	Date: 6/19/2013	Drawn: CSB	Scale: 1/11
			This drawing and the information contained therein remain the property of DragonMedes and may not be used for other than the purpose for which it is issued without the expressed written permission from DragonMedes Engineering.
Description: INSTALLATION DIAGRAM 6.4-8.7HP TX VSD CLAW VAC SPC STANDARD & O2 ASSURED		Part Number: 4107 8516 42	Rev: 02
Sheet: 1 of 1		DO NOT SCALE THIS DRAWING	

(8.7HP WITH 200 GALLON RECEIVER SHOWN)