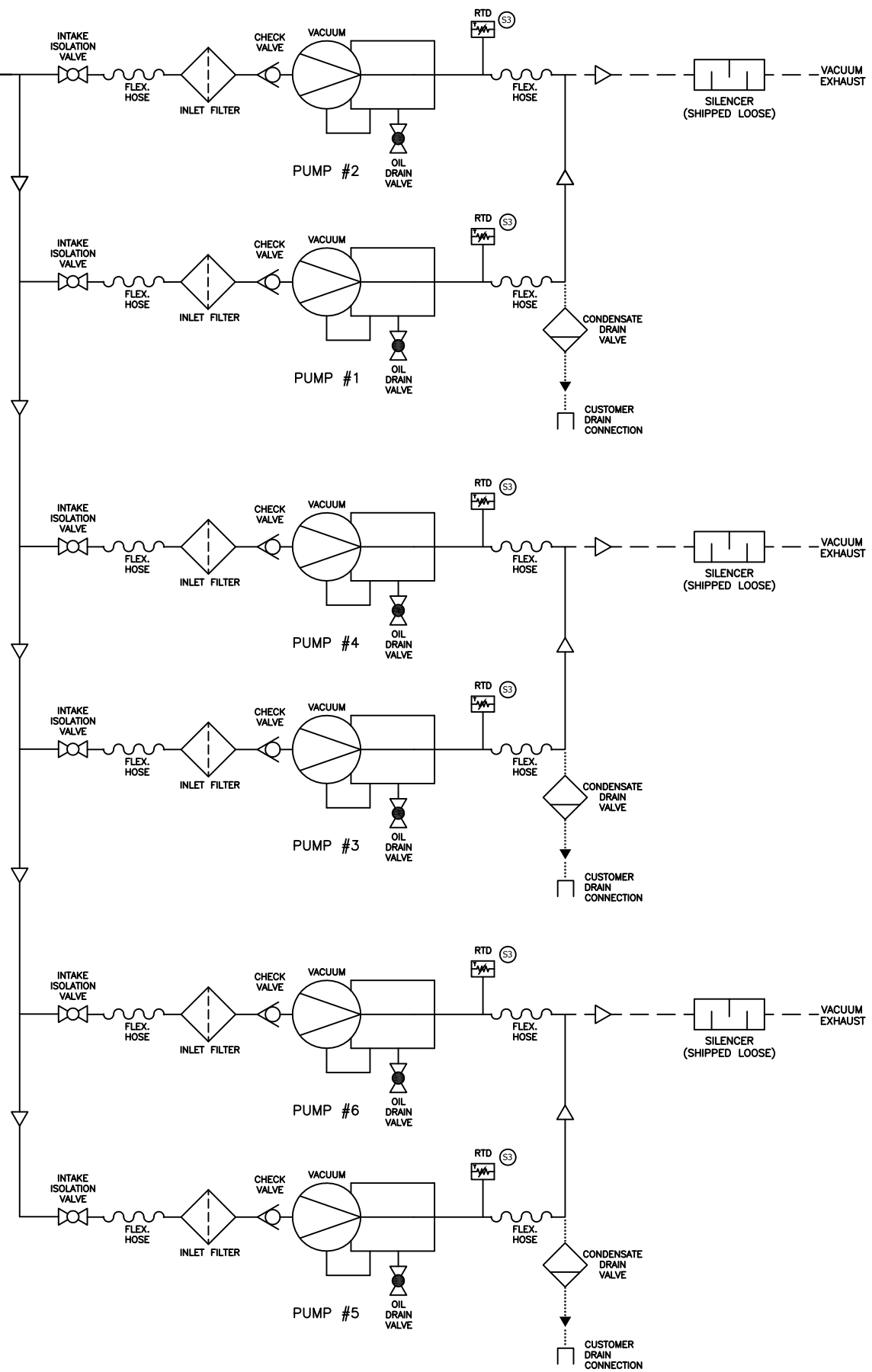
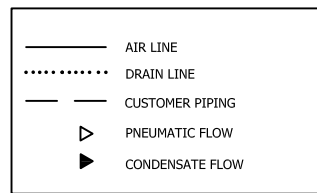


INSTRUMENTATION DETAILS			
SENSOR	DESCRIPTION	SETTING	ACTION
S1	BACKUP VAC SWT.	15" Hg ON THE FALL	BACKUP OPERATION
S2	VACUUM TRANSDUCER	VAC-15PSIG	OPERATION
S3	HIGH DISCH TEMP	15HP - 350°F	SHUTDOWN



Revised:	Date:	Drawn:	Date:
		JWO	12/18/13
		This drawing and the information contained therein remain the property of BeaconMedics and may not be used for other than the purpose for which it is loaned without the expressed written permission from BeaconMedics Engineering.	
Description:		Part Number:	
PNEUMATIC DIAGRAM HX 15HP CLAW VAC SPC		4107 8550 18	
Sheet 1 of 1		Scale: NTS	
DO NOT SCALE THIS DOCUMENT		Rev: 00	