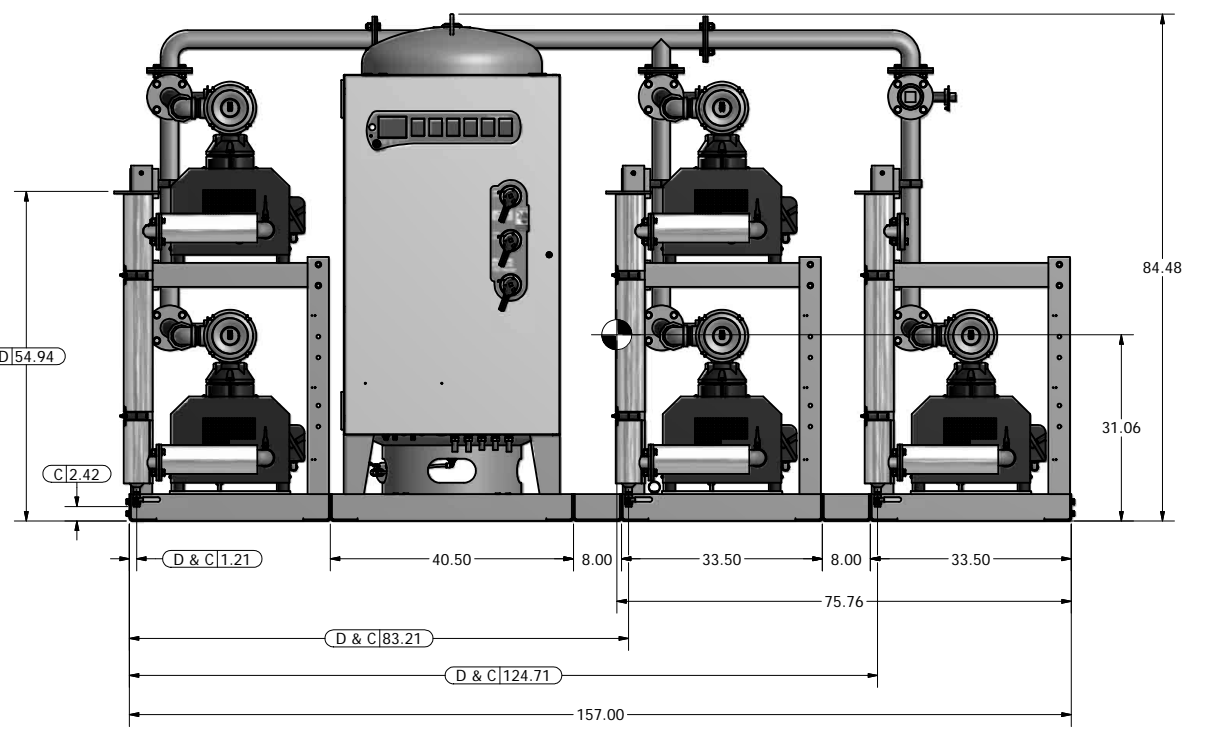
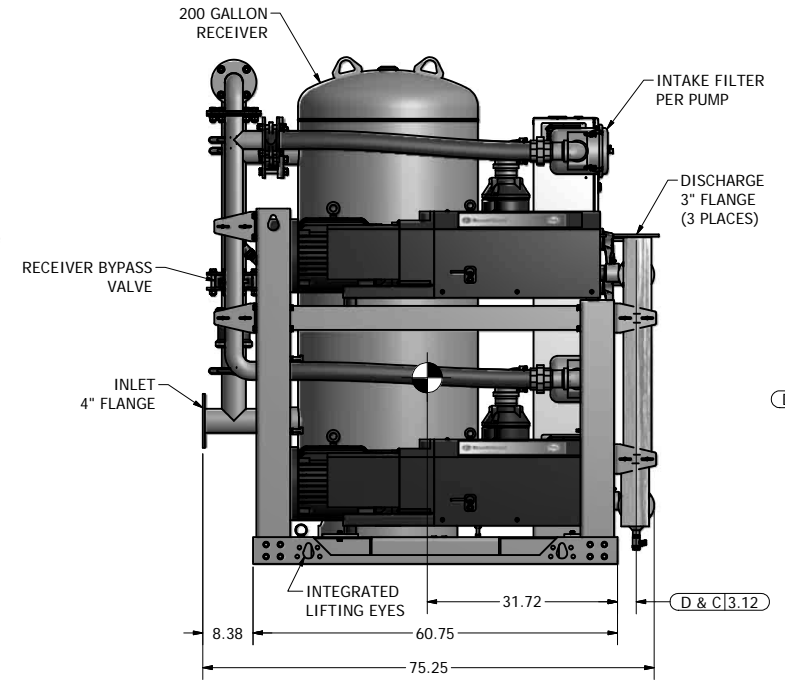
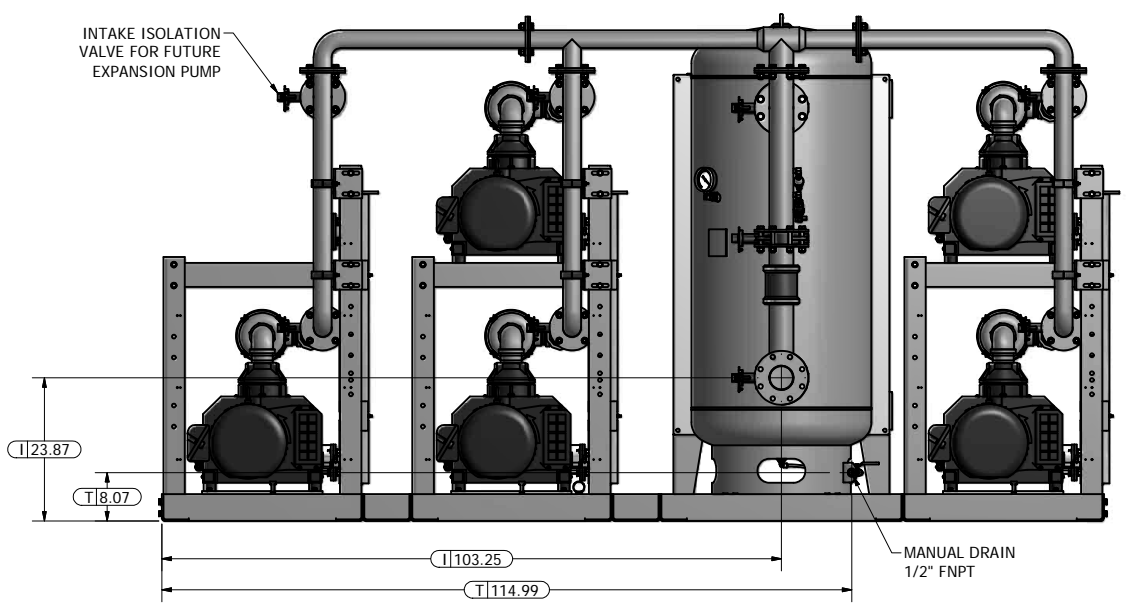
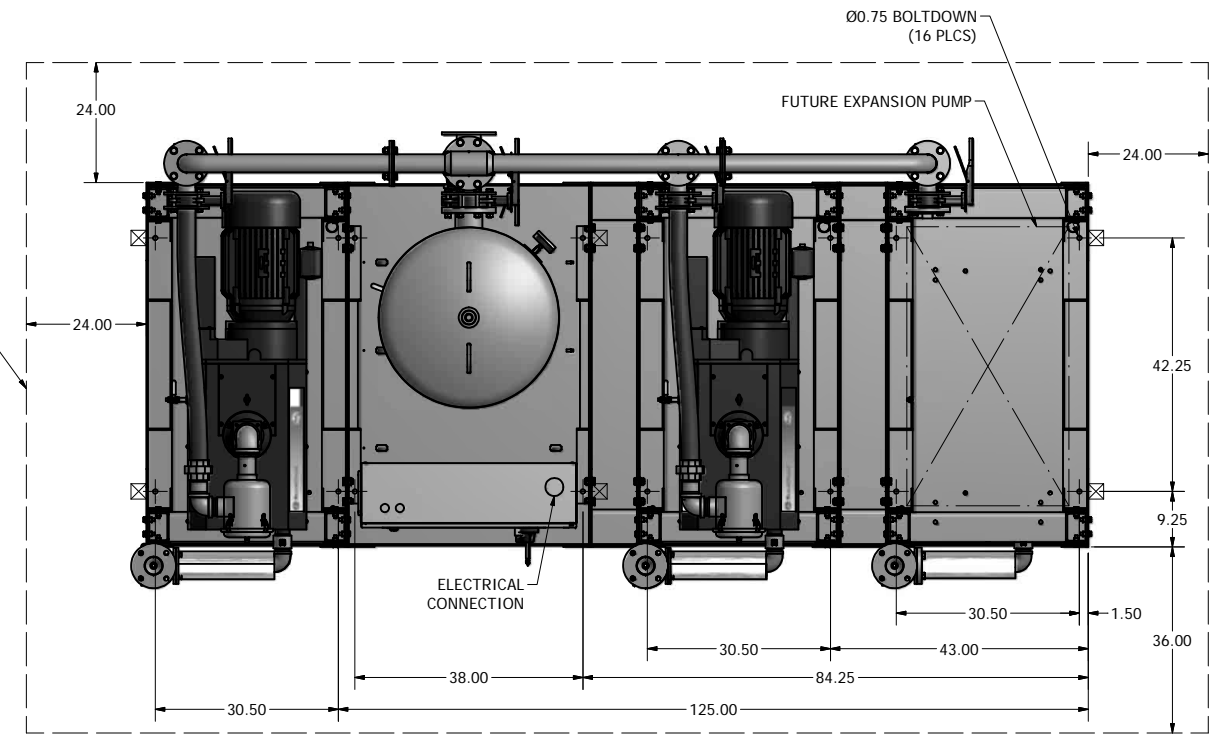


Notes:

- DISCHARGE MUFFLERS WILL BE SHIPPED LOOSE.
- SYSTEM WEIGHT: 8,059 LBS.  
(INCLUDES FUTURE EXPANSION PUMP)
- ☒ INDICATES LIFTING POINT.
- DENOTES CENTER OF GRAVITY.  
(INCLUDES FUTURE EXPANSION PUMP)

| SYSTEM CONNECTIONS |                           |
|--------------------|---------------------------|
| ID                 | DESCRIPTION               |
| I                  | INLET LOCATION            |
| D                  | DISCHARGE LOCATION        |
| T                  | TANK DRAIN LOCATION       |
| C                  | CONDENSATE DRAIN LOCATION |



|  |       |  |            |
|--|-------|--|------------|
| Revised:   | Date: | Drawn:   | Date:      |
|  |       | JWO  | 01/13/2014 |
|  |       | This drawing and the information contained therein remain the property of BeaconMedes and may not be used for other than the purpose for which it is loaned without the expressed written permission from BeaconMedes Engineering. |            |
| Description:<br>GENERAL ASSEMBLY 15HP<br>PX-EXP-HX CLAW VSD VAC SPC<br>200G RECEIVER |       | Part Number:<br>4107 8549 72<br>DN: HOP131370<br>Rev: 00<br>Sheet 1 of 1   |            |
|  |       | Scale: 1:16<br>DO NOT SCALE THIS DOCUMENT  |            |