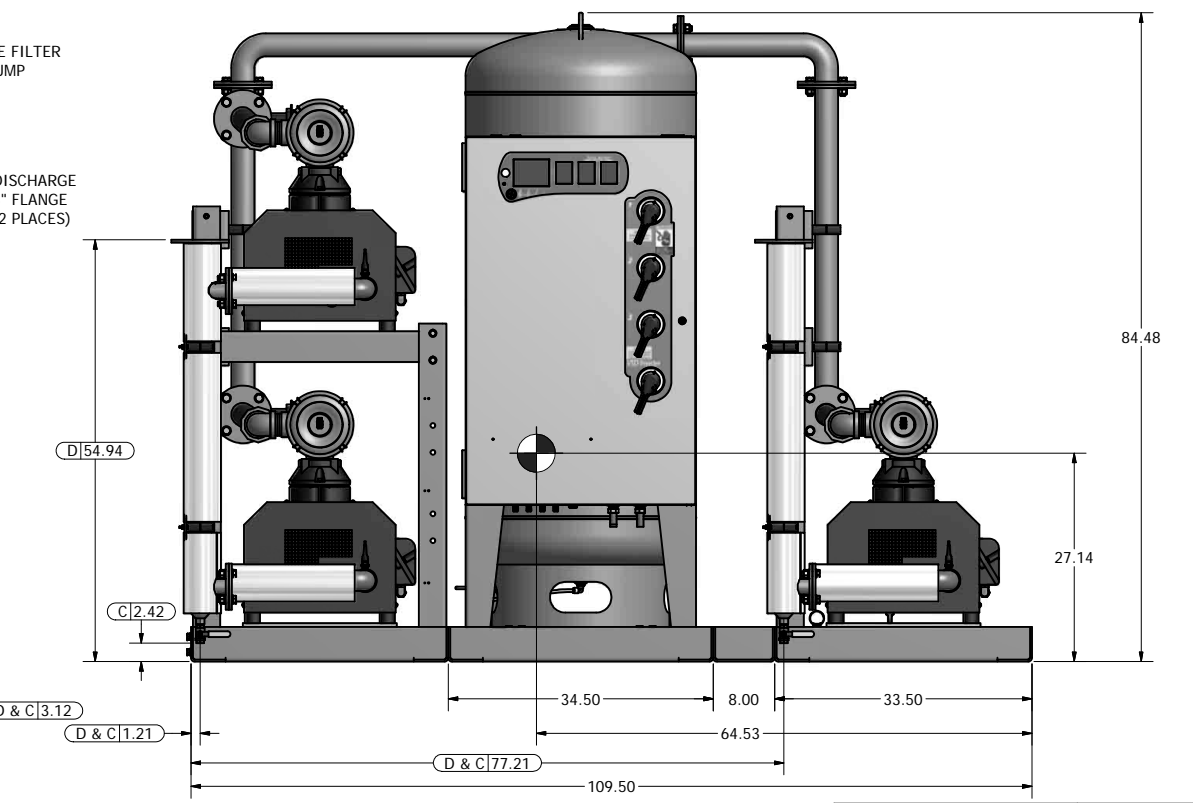
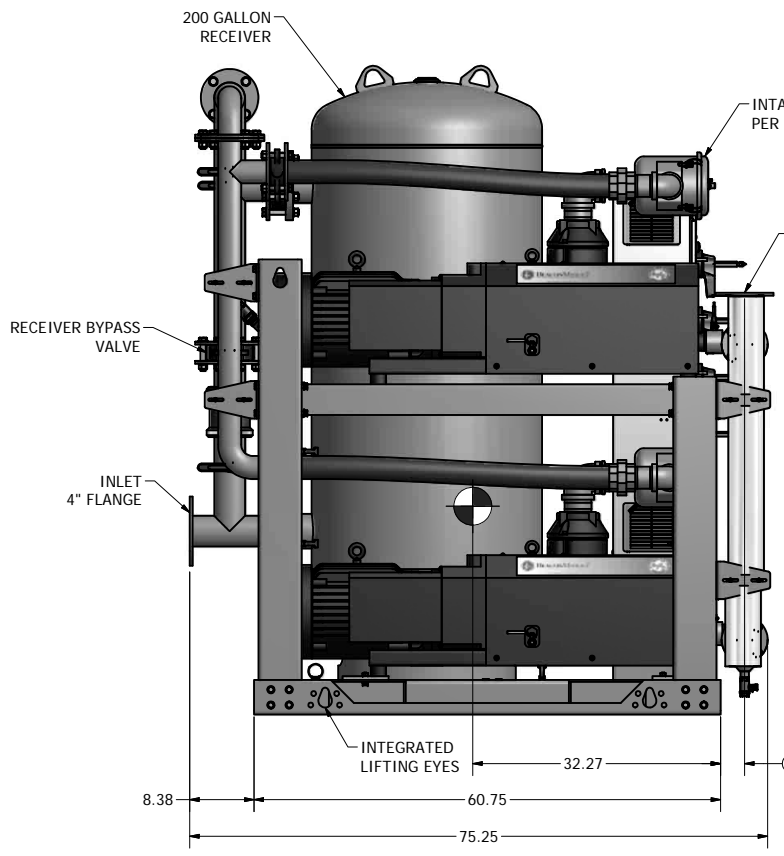
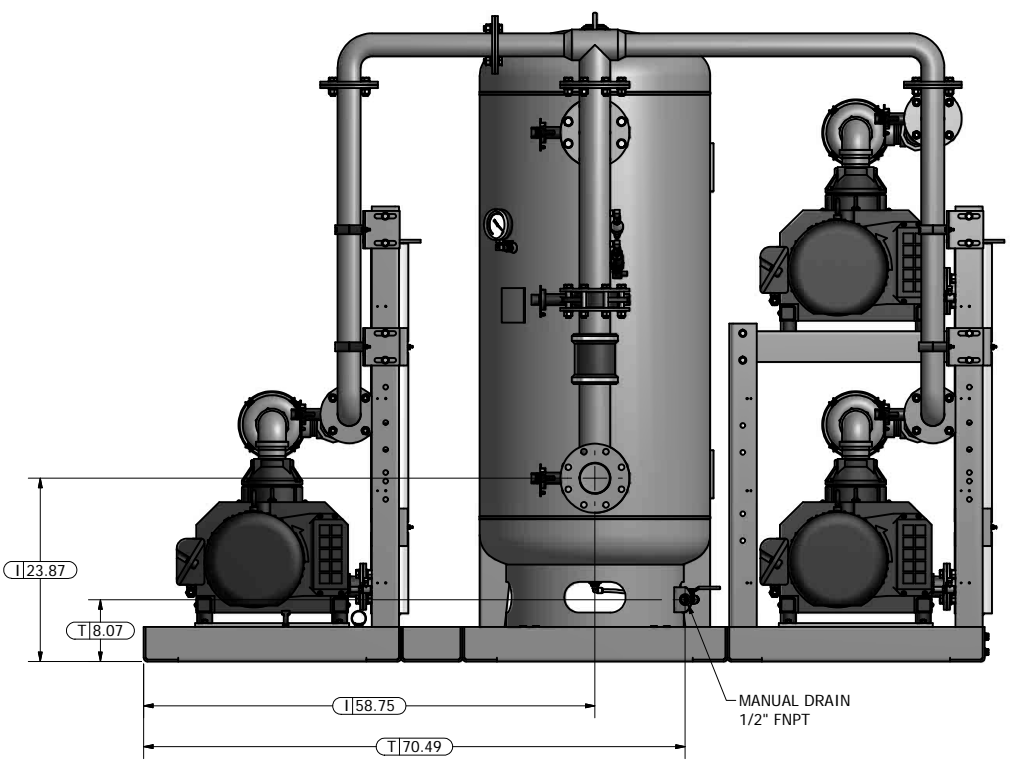
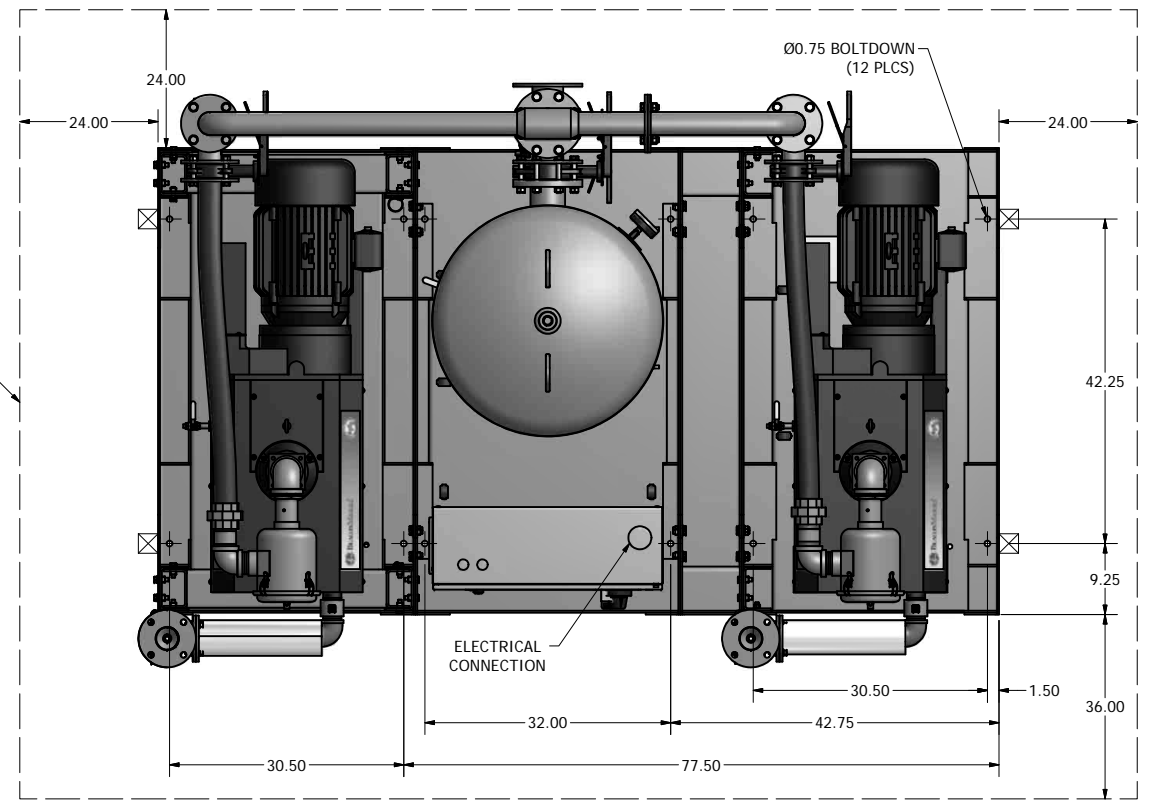


Notes:

- DISCHARGE MUFFLERS WILL BE SHIPPED LOOSE.
- SYSTEM WEIGHT: 4,569 LBS.
- ☒ INDICATES LIFTING POINT.
- DENOTES CENTER OF GRAVITY.

| SYSTEM CONNECTIONS |                           |
|--------------------|---------------------------|
| ID                 | DESCRIPTION               |
| I                  | INLET LOCATION            |
| D                  | DISCHARGE LOCATION        |
| T                  | TANK DRAIN LOCATION       |
| C                  | CONDENSATE DRAIN LOCATION |



|   |       |  |                  |
|---|-------|--|------------------|
| Revised:  | Date: | Drawn: JWO   | Date: 02/10/2014 |
|   |       | This drawing and the information contained therein remain the property of BeaconMedes and may not be used for other than the purpose for which it is loaned without the expressed written permission from BeaconMedes Engineering. |                  |
| Description:<br>GENERAL ASSEMBLY 15HP TX<br>CLAW VSD VAC SPC 200G<br>RECEIVER |       | Part Number:<br>4107 8549 34<br>DN: HOP131370<br>Rev: 00<br>Sheet 1 of 1<br>DO NOT SCALE THIS DOCUMENT   |                  |