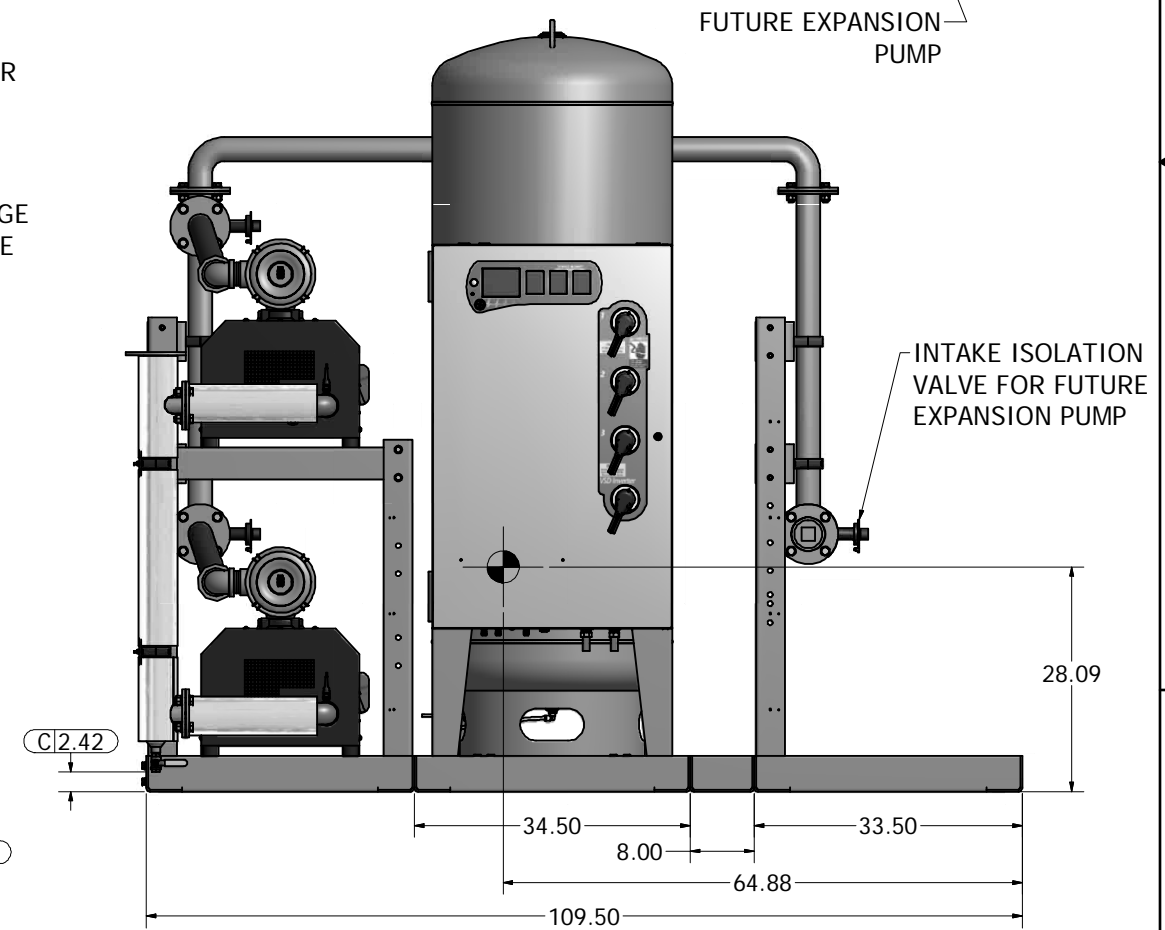
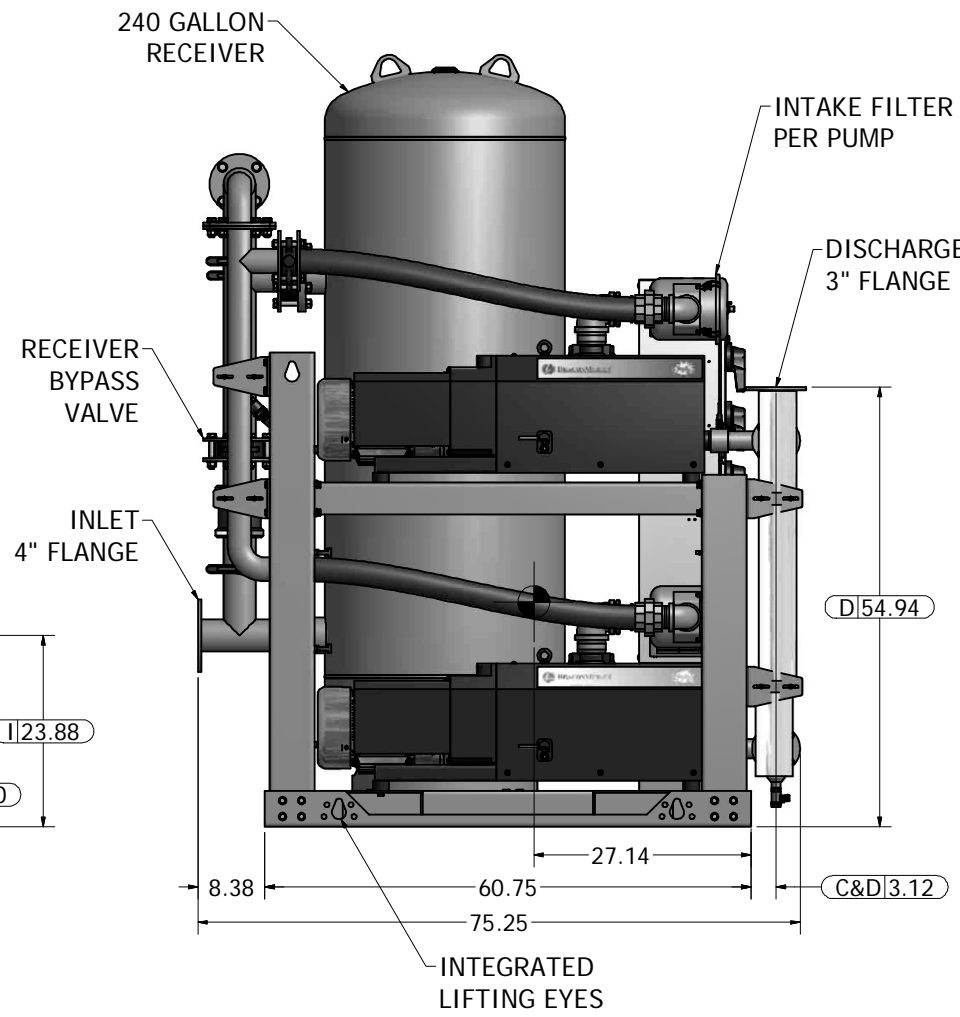
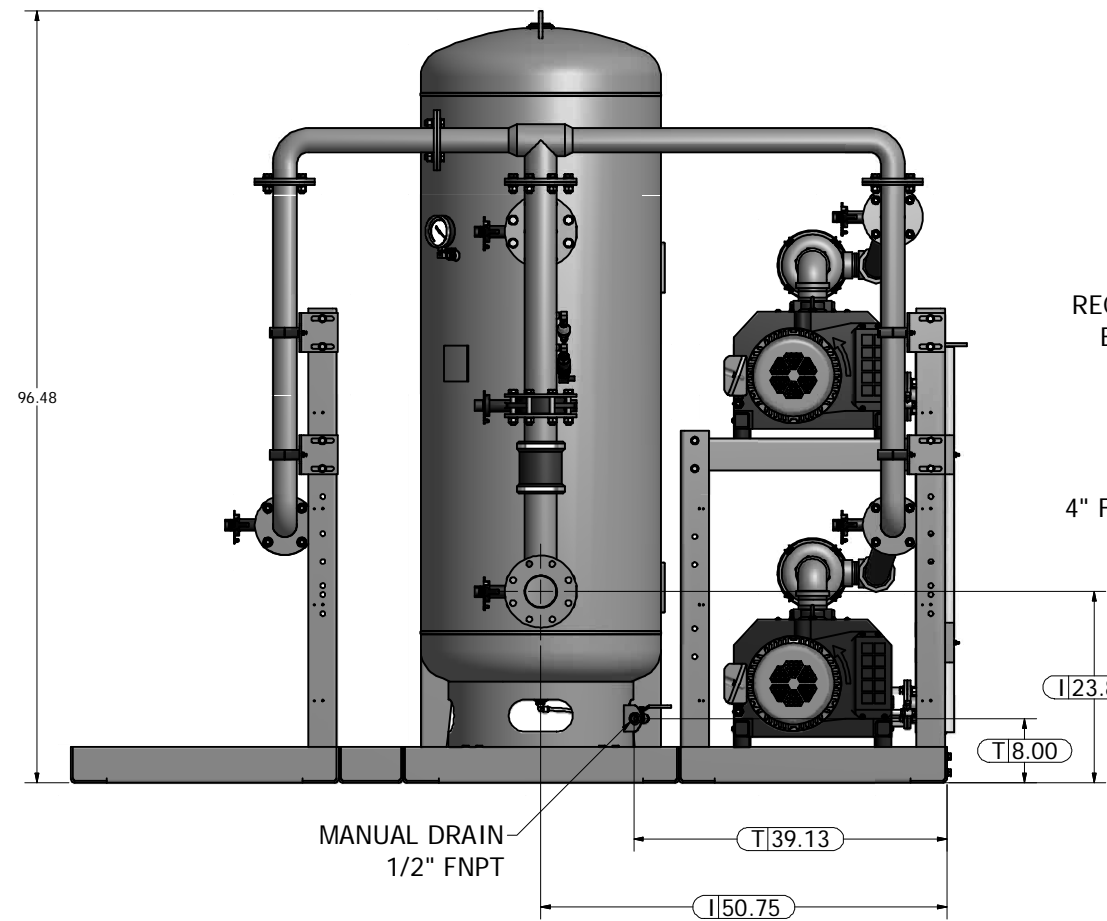
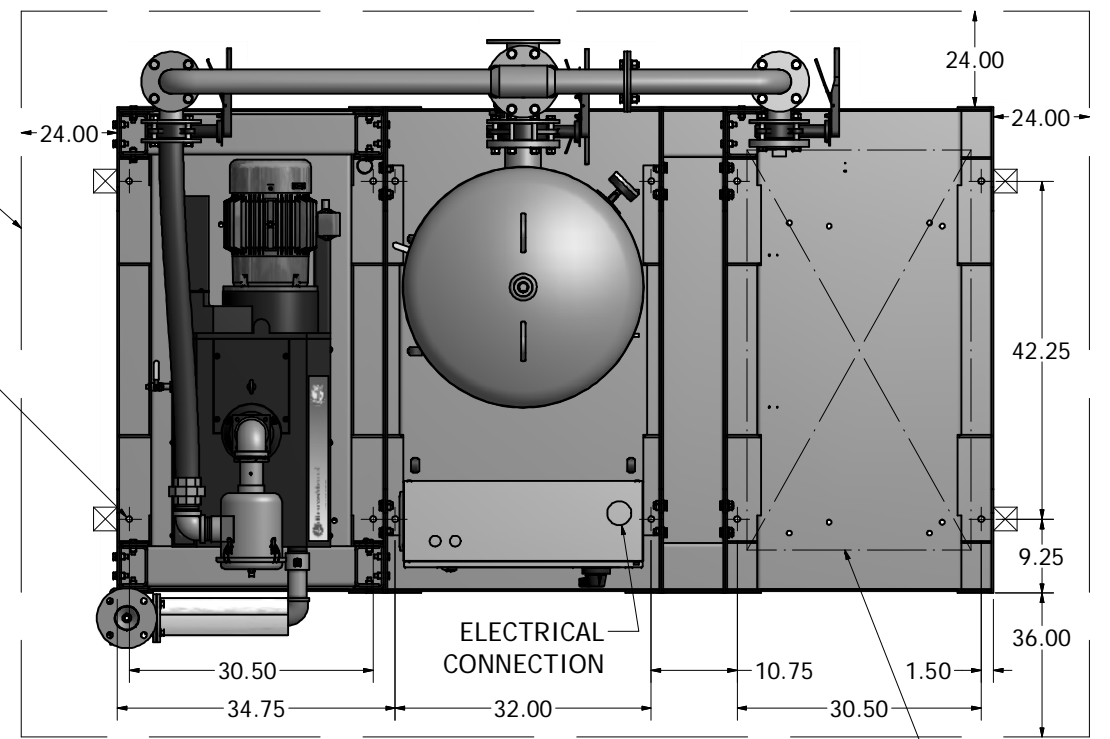


Notes:

1. DISCHARGE MUFFLERS WILL BE SHIPPED LOOSE.
2. SYSTEM WEIGHT: 4,459 LBS. (INCLUDES FUTURE EXPANSION PUMP)
3. ☒ INDICATES LIFTING POINT.
4. ● DENOTES CENTER OF GRAVITY. (INCLUDES FUTURE EXPANSION PUMP)

SYSTEM CONNECTIONS	
ID	DESCRIPTION
I	INLET LOCATION
D	DISCHARGE LOCATION
C	CONDENSATE DRAIN LOCATION
T	TANK DRAIN LOCATION



Revised:	Date:	Drawn: GTM	Date: 4/26/2012
		This drawing and the information contained therein remain the property of BeaconMedes and may not be used for other than the purpose for which it is loaned without the expressed written permission from BeaconMedes Engineering.	
Description: GENERAL ASSEMBLY 10HP DX-EXP-TX CLAW VAC VSD SPC 240G RECEIVER STANDARD AND O2 ASSURED		Part Number: 4107 8538 92 DN: HOP120412 Rev: 00 Sheet 1 of 1	
Scale: 1/11 D		DO NOT SCALE THIS DOCUMENT	