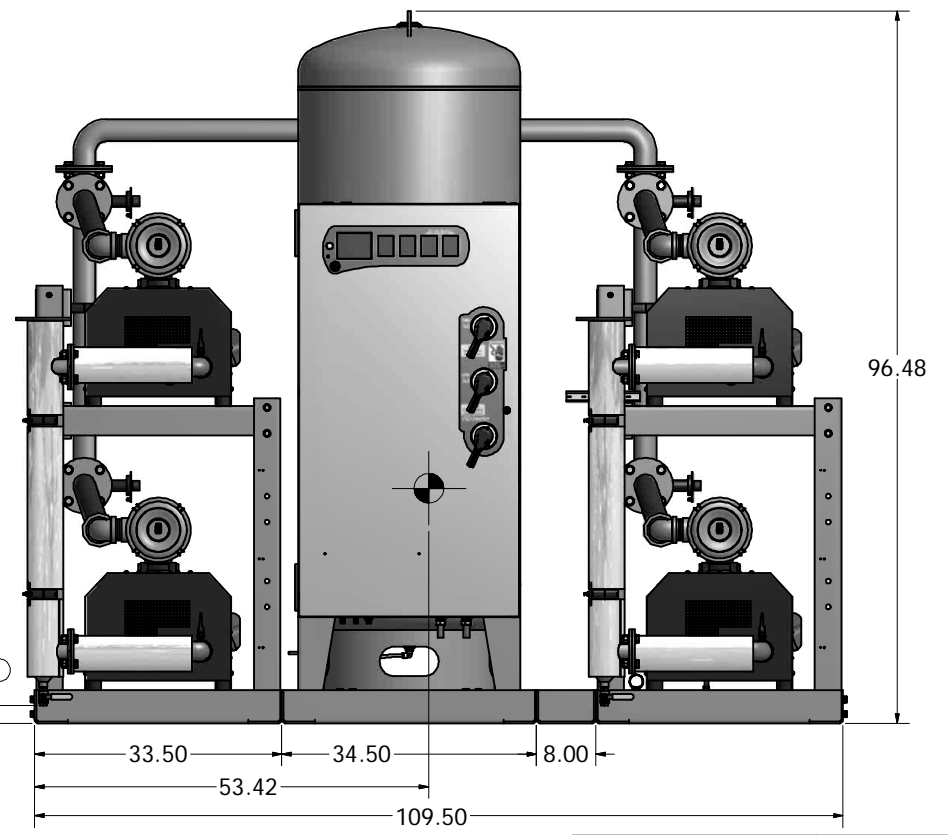
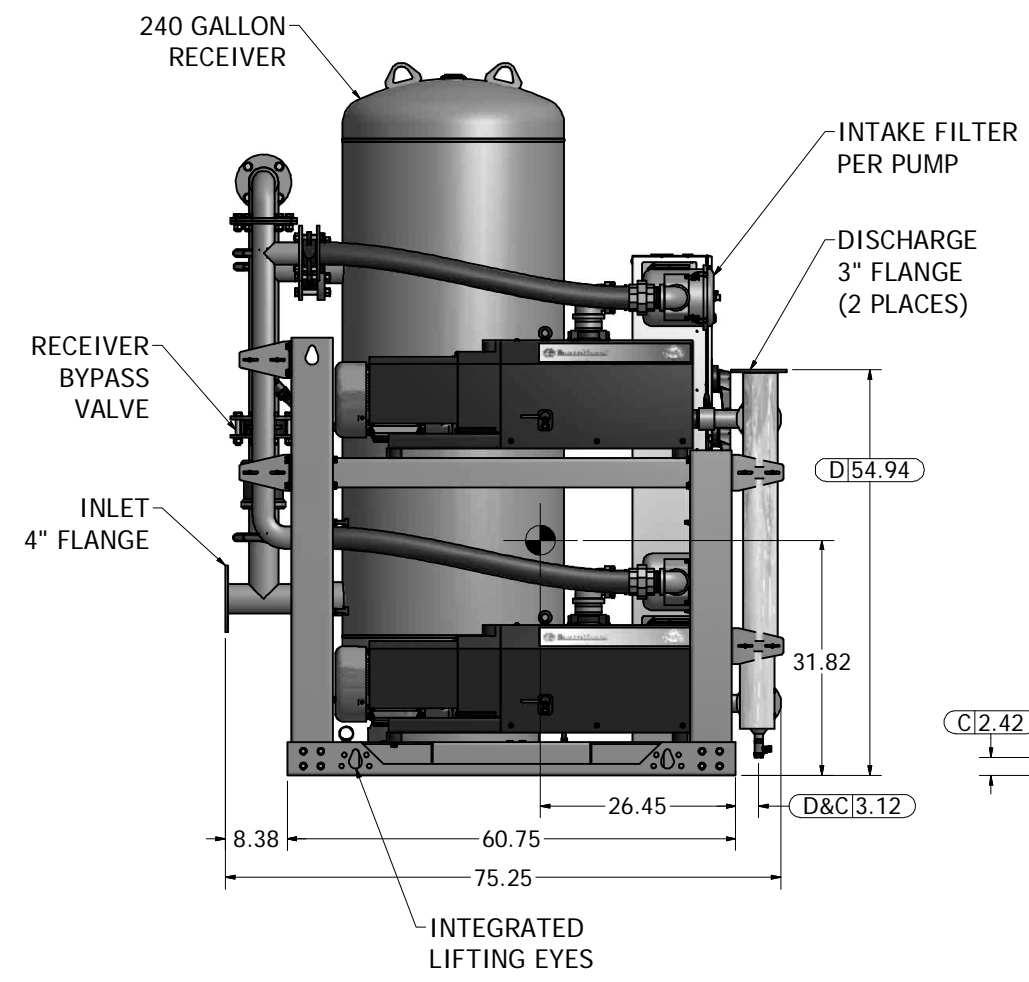
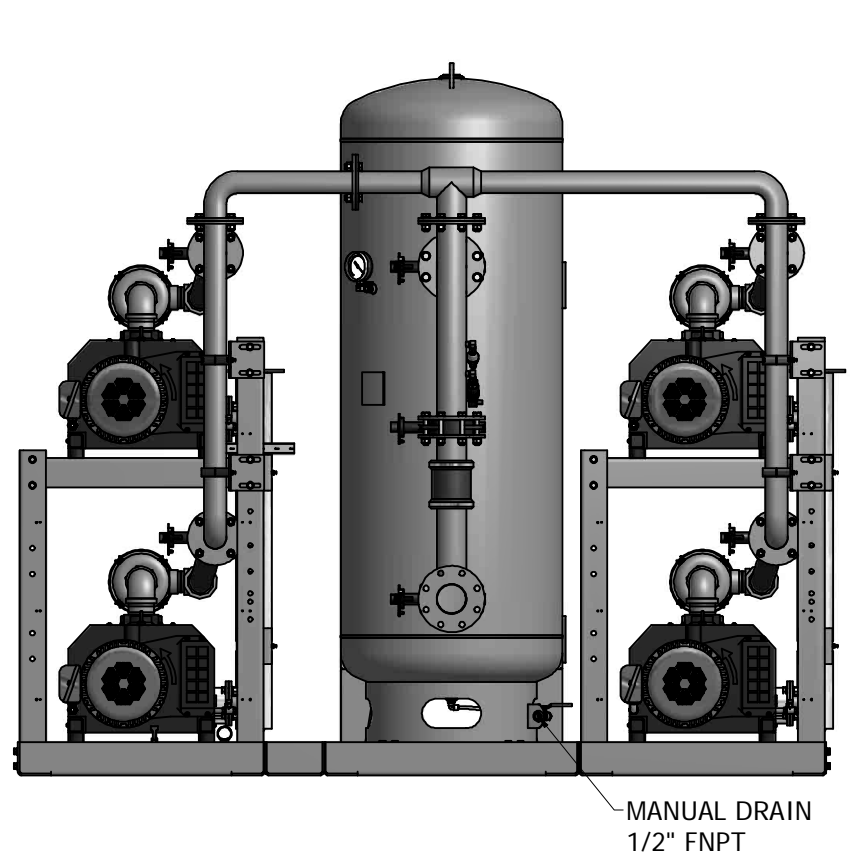
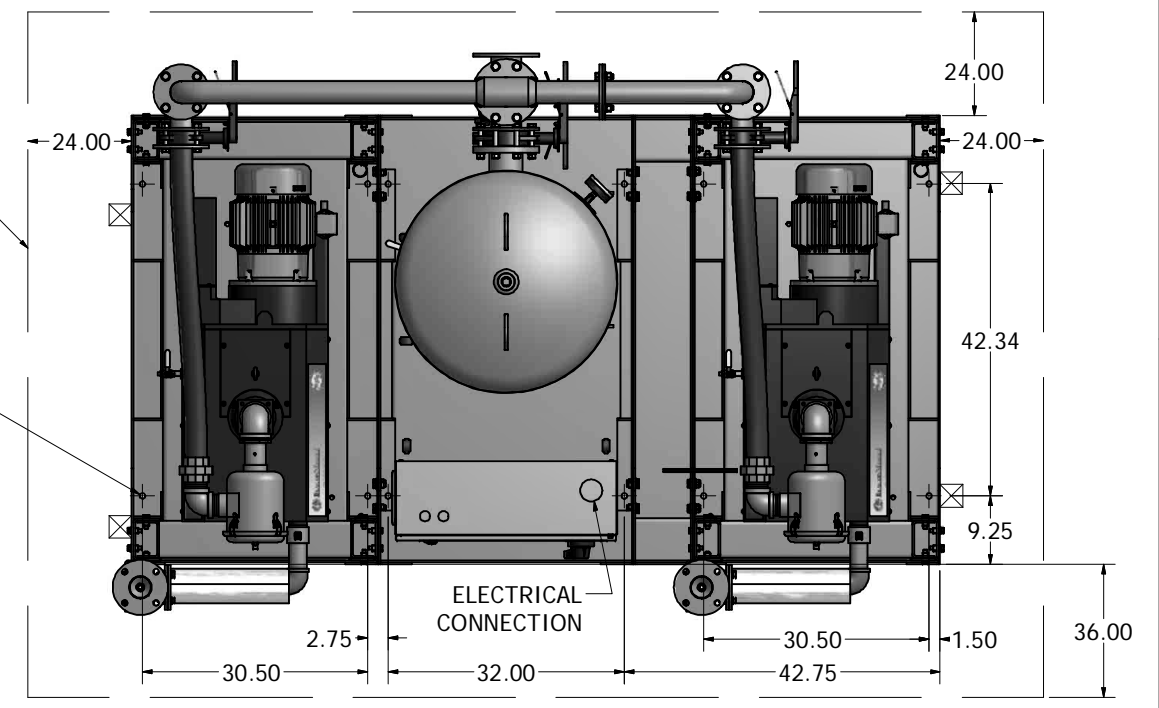


Notes:

1. DISCHARGE MUFFLERS WILL BE SHIPPED LOOSE.
2. SYSTEM WEIGHT: 5,464 LBS.
3. ☒ INDICATES LIFTING POINT.
4. ● DENOTES CENTER OF GRAVITY.

SYSTEM CONNECTIONS	
ID	DESCRIPTION
I	INLET LOCATION
D	DISCHARGE LOCATION
C	CONDENSATE DRAIN LOCATION
T	TANK DRAIN LOCATION



Revised:	Date:	Drawn: GTM	Date: 4/19/2012
		This drawing and the information contained therein remain the property of BeaconMedes and may not be used for other than the purpose for which it is loaned without the expressed written permission from BeaconMedes Engineering.	
Description: GENERAL ASSEMBLY 10HP OX CLAW VAC VSD SPC 240G RECEIVER STANDARD AND O2 ASSURED		Part Number: 4107 8538 86 DN: HOP120412 Rev: 00 Sheet 1 of 1	
Scale: 1/13		DO NOT SCALE THIS DOCUMENT	