

Notes:

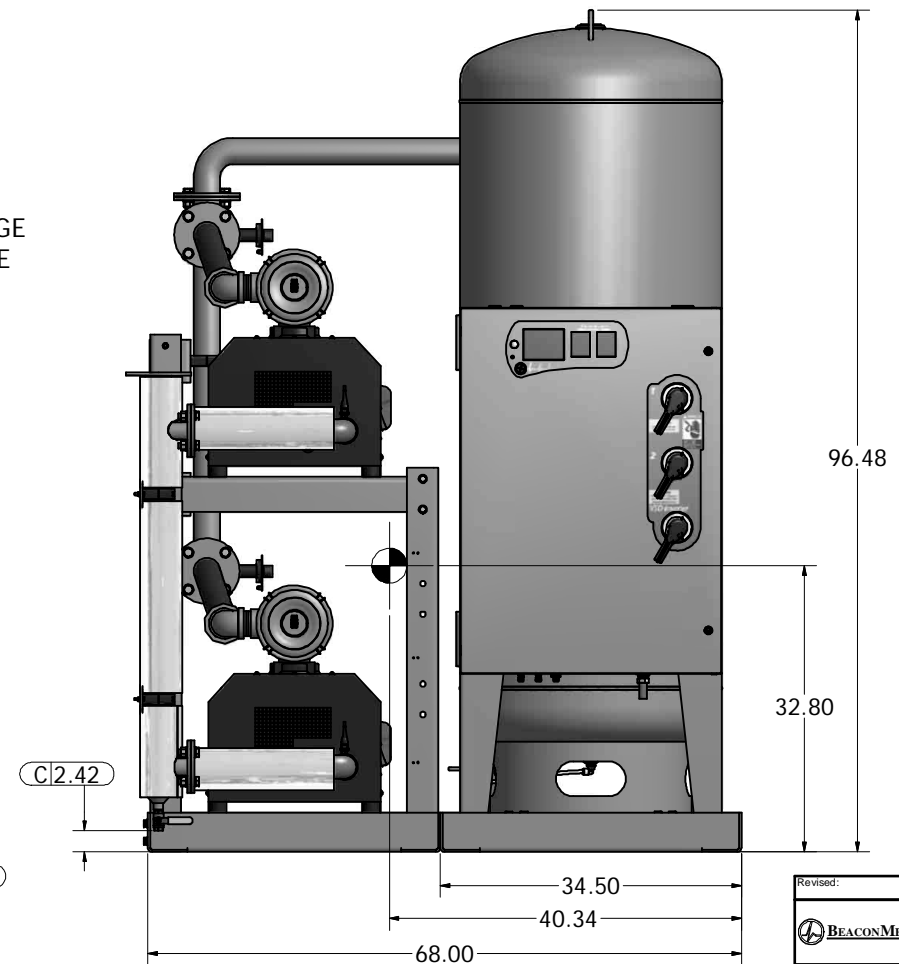
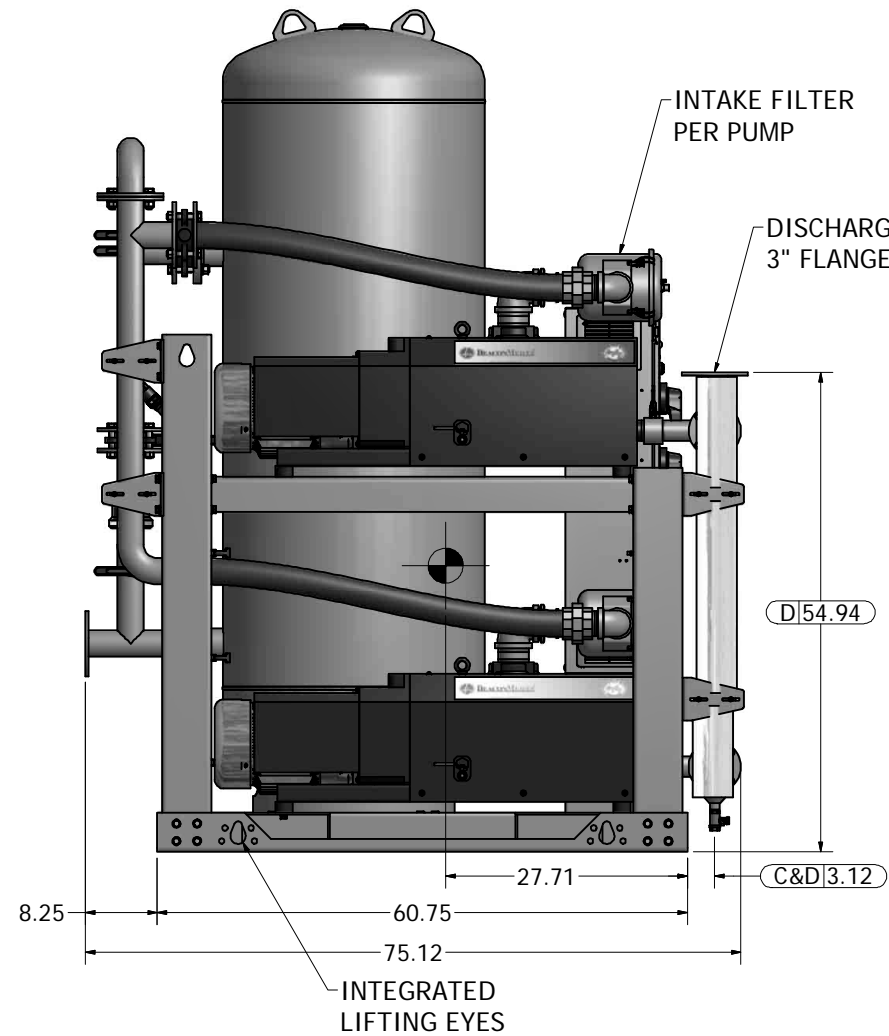
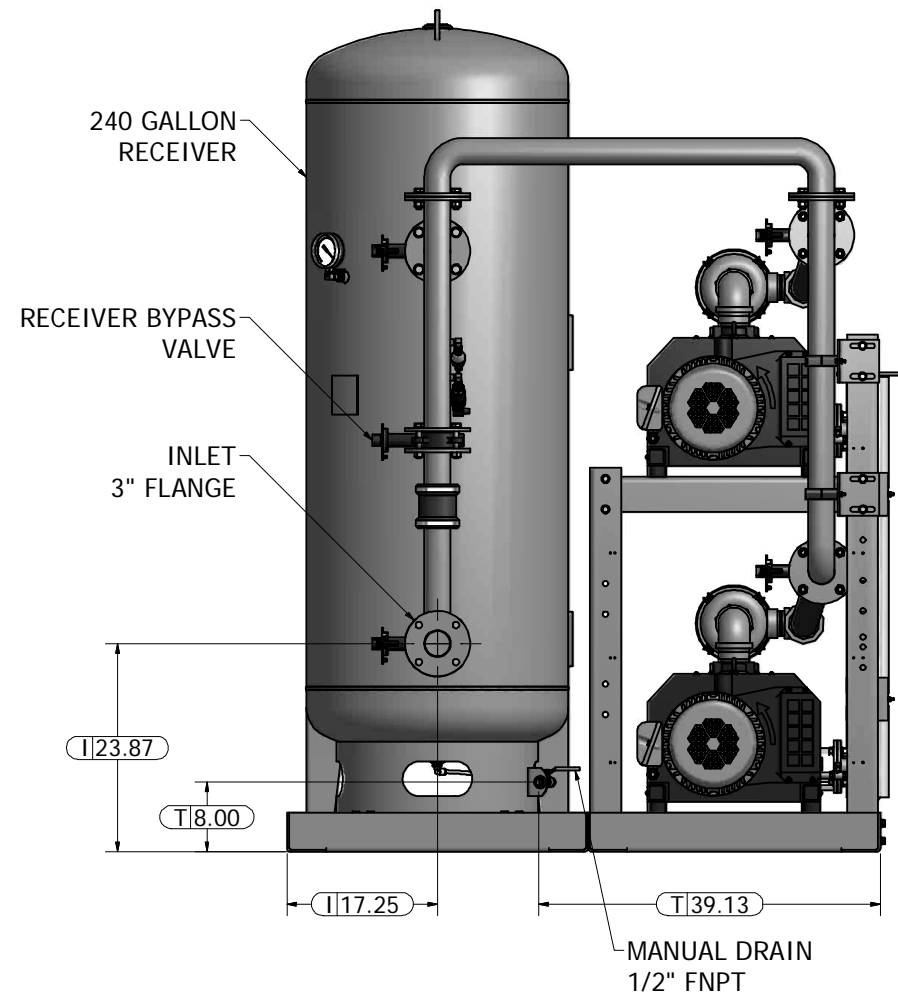
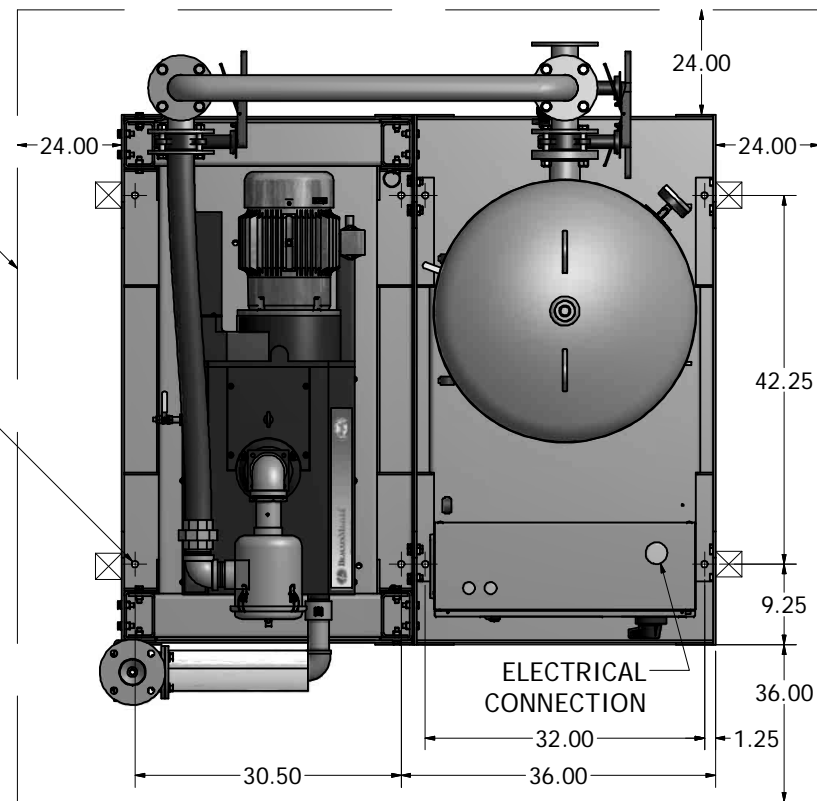
1. DISCHARGE MUFFLER WILL BE SHIPPED LOOSE.
2. SYSTEM WEIGHT: 3,201 LBS.
3. ☒ INDICATES LIFTING POINT.
4. ● DENOTES CENTER OF GRAVITY.

SYSTEM CONNECTIONS	
ID	DESCRIPTION
I	INLET LOCATION
D	DISCHARGE LOCATION
C	CONDENSATE DRAIN LOCATION
T	TANK DRAIN LOCATION

MINIMUM CLEARANCE FOR MAINTENANCE & VENTILATION

Ø0.75 BOLTDOWNS (8 PLACES)

ELECTRICAL CONNECTION



Revised:	Date:	Drawn: GTM	Date: 4/18/2012
		This drawing and the information contained herein remain the property of BeaconMedes and may not be used for other than the purpose for which it is loaned without the expressed written permission from BeaconMedes Engineering.	
Description: GENERAL ASSEMBLY 10HP DX CLAW VAC VSD SPC 240G RECEIVER STANDARD AND O2 ASSURED		Part Number: 4107 8538 82	Scale: 1/11
DN: HOP120412		Rev: 00	Sheet 1 of 1
DO NOT SCALE THIS DOCUMENT		DO NOT SCALE THIS DOCUMENT	