

Notes:

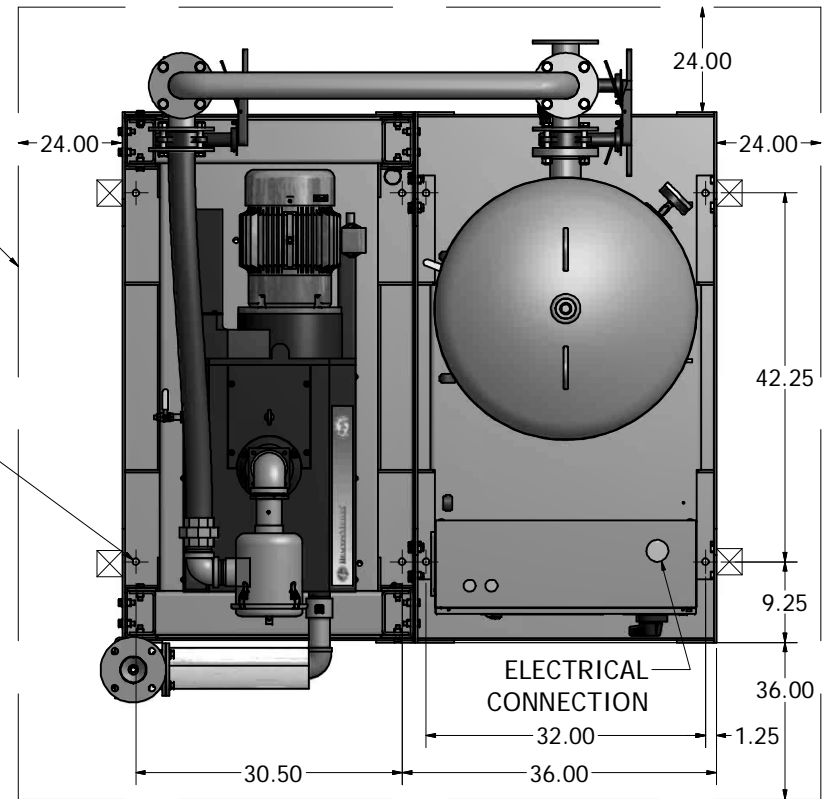
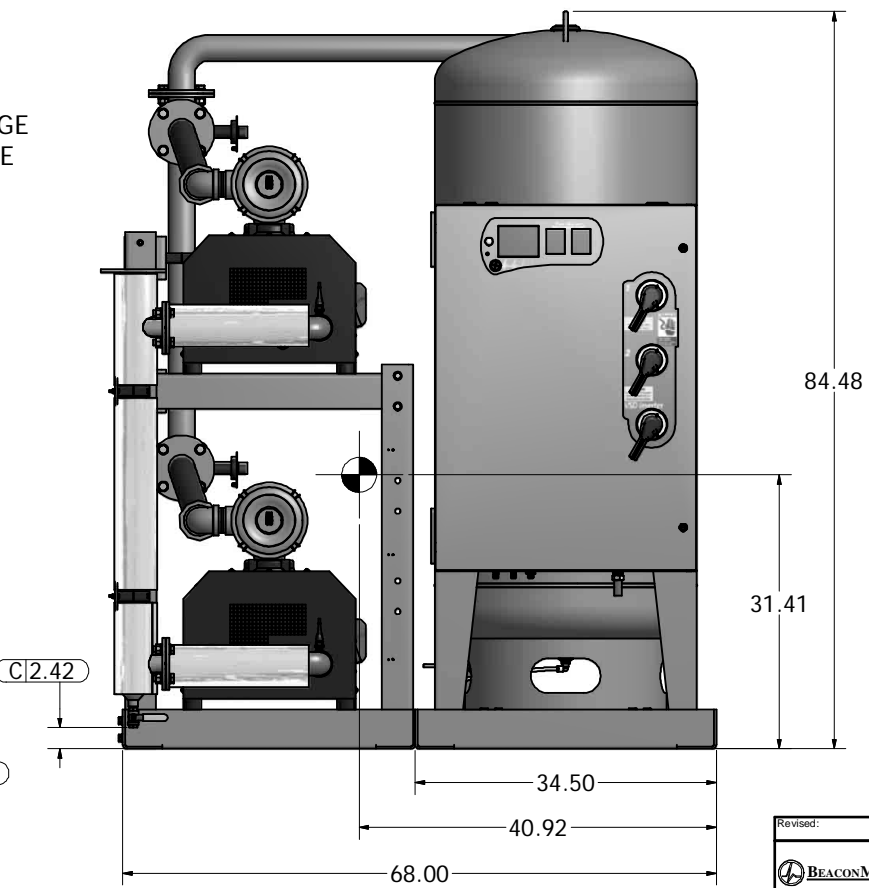
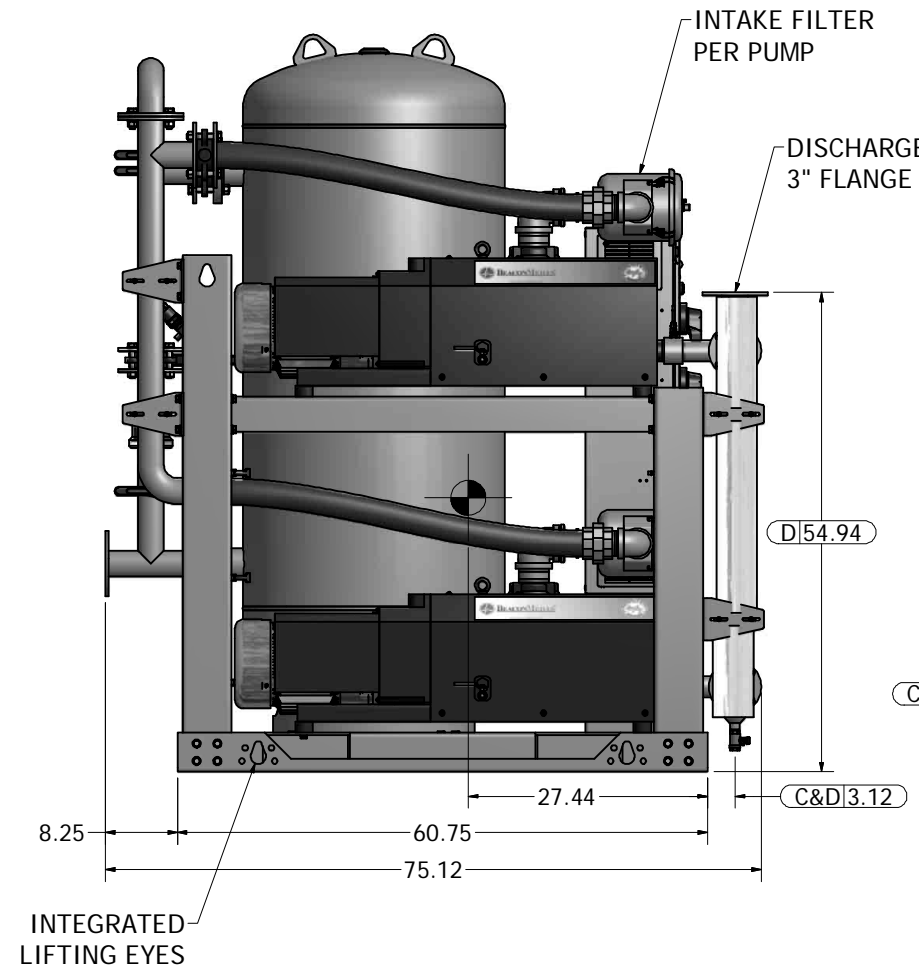
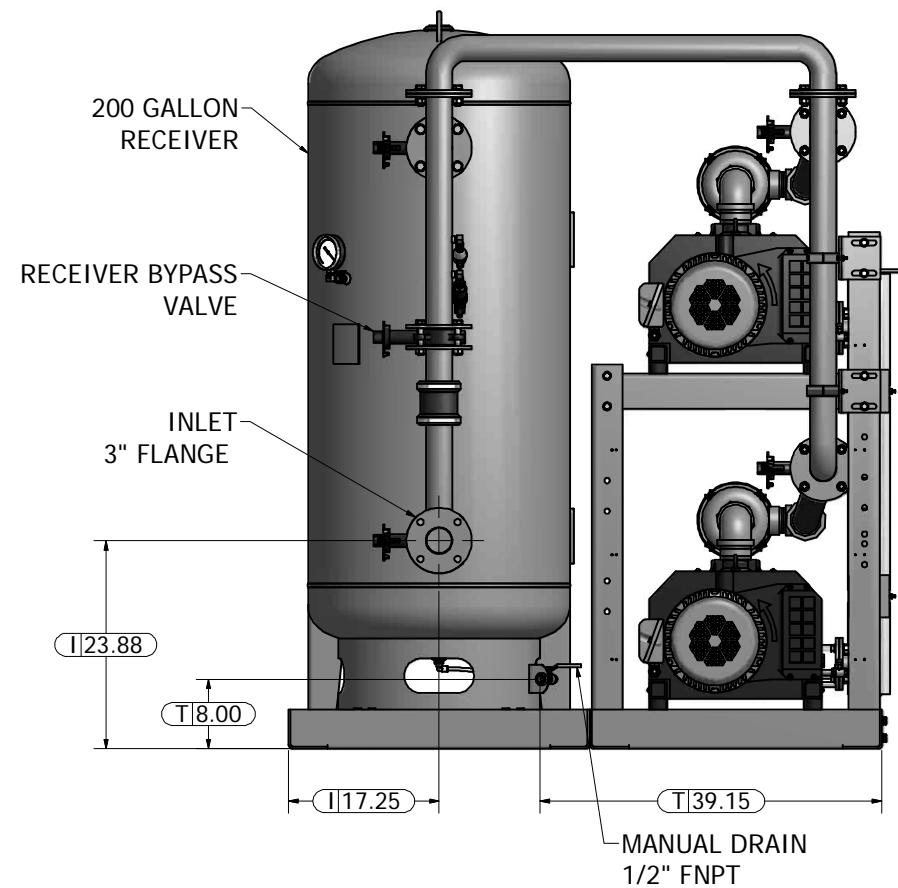
1. DISCHARGE MUFFLER WILL BE SHIPPED LOOSE.
2. SYSTEM WEIGHT: 3,123 LBS.
3. ☒ INDICATES LIFTING POINT.
4. ● DENOTES CENTER OF GRAVITY.

| SYSTEM CONNECTIONS |                           |
|--------------------|---------------------------|
| ID                 | DESCRIPTION               |
| I                  | INLET LOCATION            |
| D                  | DISCHARGE LOCATION        |
| C                  | CONDENSATE DRAIN LOCATION |
| T                  | TANK DRAIN LOCATION       |

MINIMUM CLEARANCE FOR MAINTENANCE & VENTILATION

Ø0.75 BOLTDOWNS (8 PLACES)

ELECTRICAL CONNECTION



|  |       |  |                 |
|--|-------|--|-----------------|
| Revised:   | Date: | Drawn: GTM   | Date: 4/16/2012 |
|  |       | This drawing and the information contained therein remain the property of BeaconMedes and may not be used for other than the purpose for which it is loaned without the expressed written permission from BeaconMedes Engineering. |                 |
| Description:<br>GENERAL ASSEMBLY 10HP DX<br>CLAW VAC VSD SPC 200G<br>RECEIVER STANDARD AND<br>O2 ASSURED |       | Part Number:<br>4107 8538 81<br>DN: HOP120412<br>Rev: 00<br>Sheet 1 of 1<br>DO NOT SCALE THIS DOCUMENT   |                 |