

Notes:

- DISCHARGE MUFFLER WILL BE SHIPPED LOOSE.
- SYSTEM WEIGHT: 3,487 LBS. (INCLUDES FUTURE EXPANSION PUMP).
- ☒ INDICATES LIFTING POINT.
- DENOTES CENTER OF GRAVITY (INCLUDES FUTURE EXPANSION PUMP).

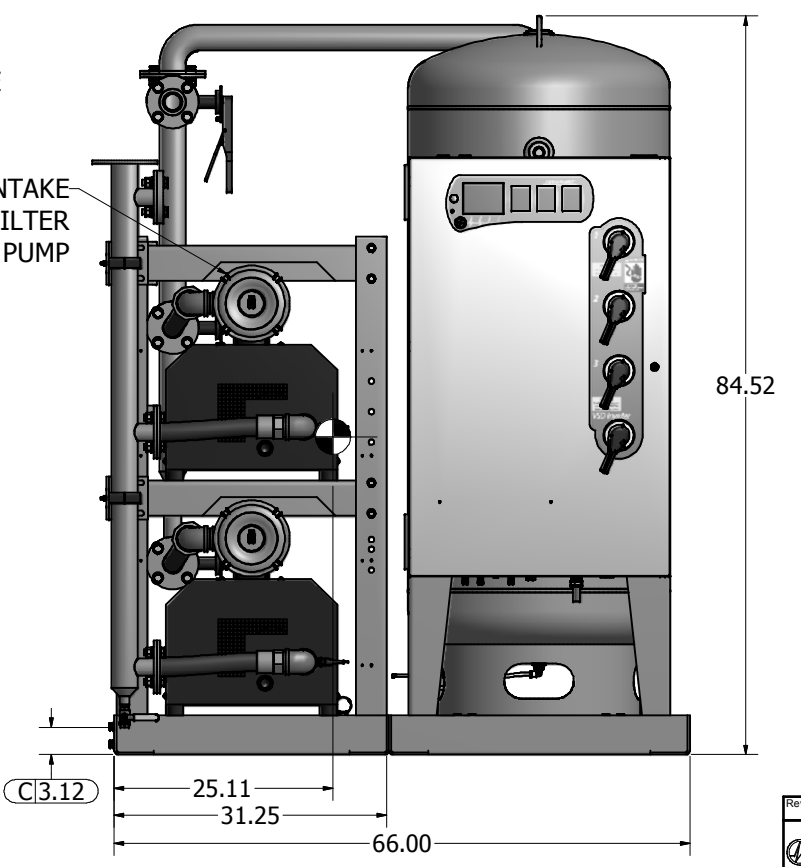
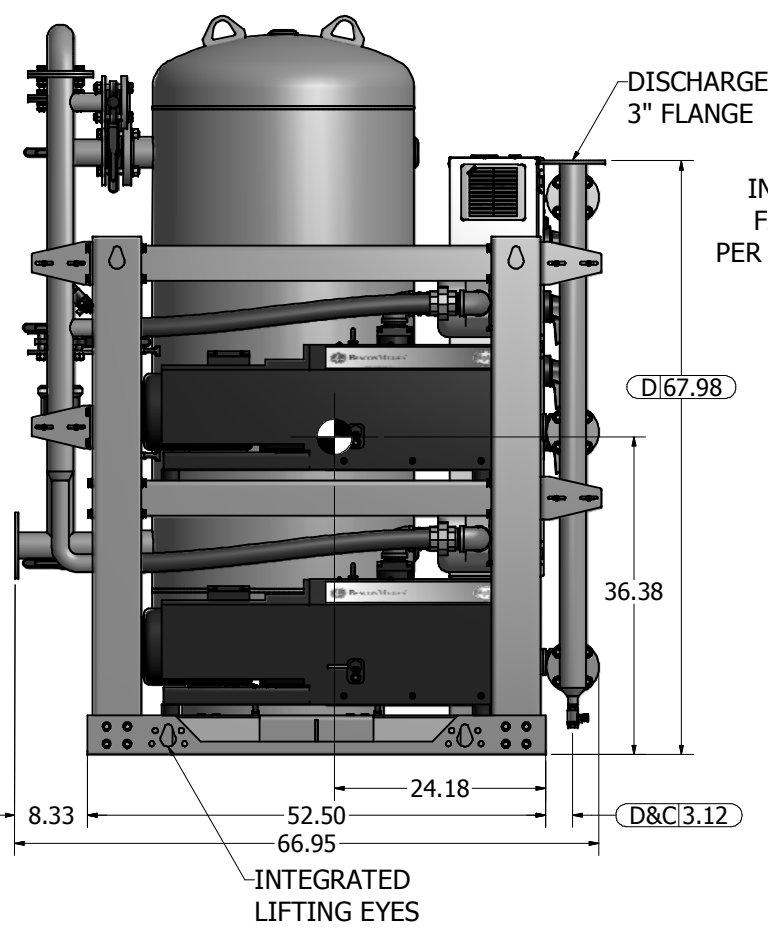
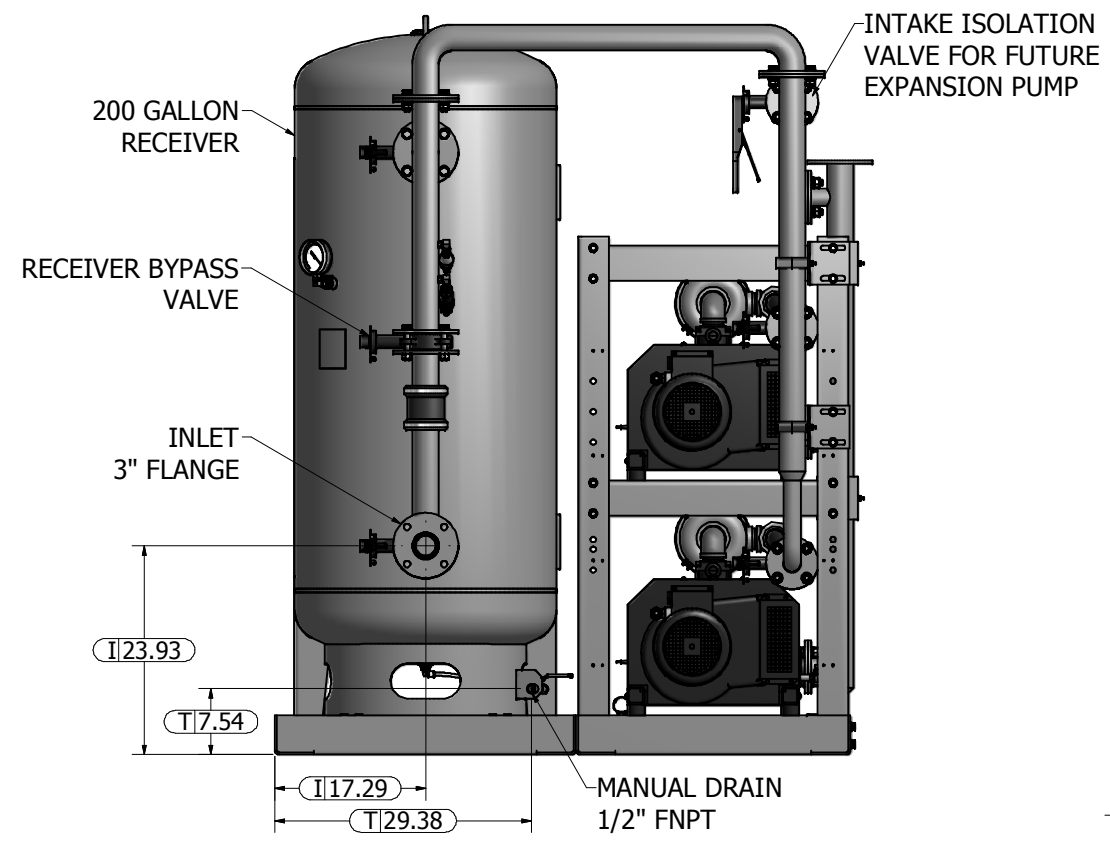
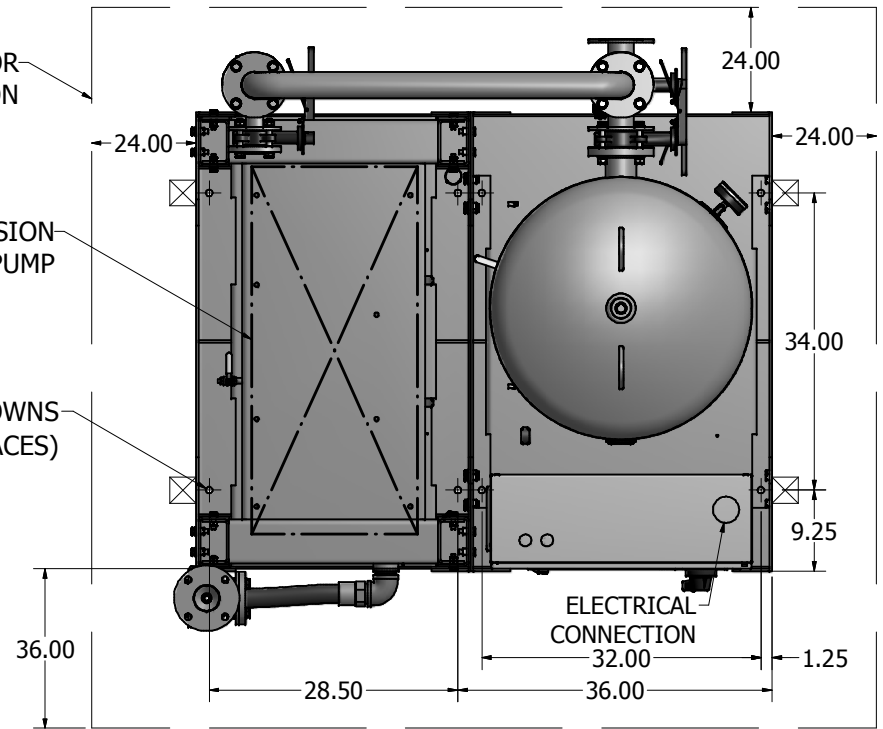
SYSTEM CONNECTIONS	
ID	DESCRIPTION
I	INLET LOCATION
D	DISCHARGE LOCATION
C	CONDENSATE DRAIN LOCATION
T	TANK DRAIN LOCATION

MINIMUM CLEARANCE FOR MAINTENANCE & VENTILATION

FUTURE EXPANSION PUMP

Ø0.75 BOLTDOWNS (8 PLACES)

ELECTRICAL CONNECTION 32.00



Revised:	Date:	Drawn: JDY	Date: 6/16/2010
		This drawing and the information contained therein remain the property of BeaconMedes and may not be used for other than the purpose for which it is loaned without the expressed written permission from BeaconMedes Engineering.	
Description: GENERAL ASSEMBLY 8.7HP DX-EXP-TX VSD CLAW VAC SPC 200G RECEIVER STANDARD & O2 ASSURED		Part Number: 4107 8515 79	
Sheet 1 of 1		Rev: 00 DO NOT SCALE THIS DOCUMENT	