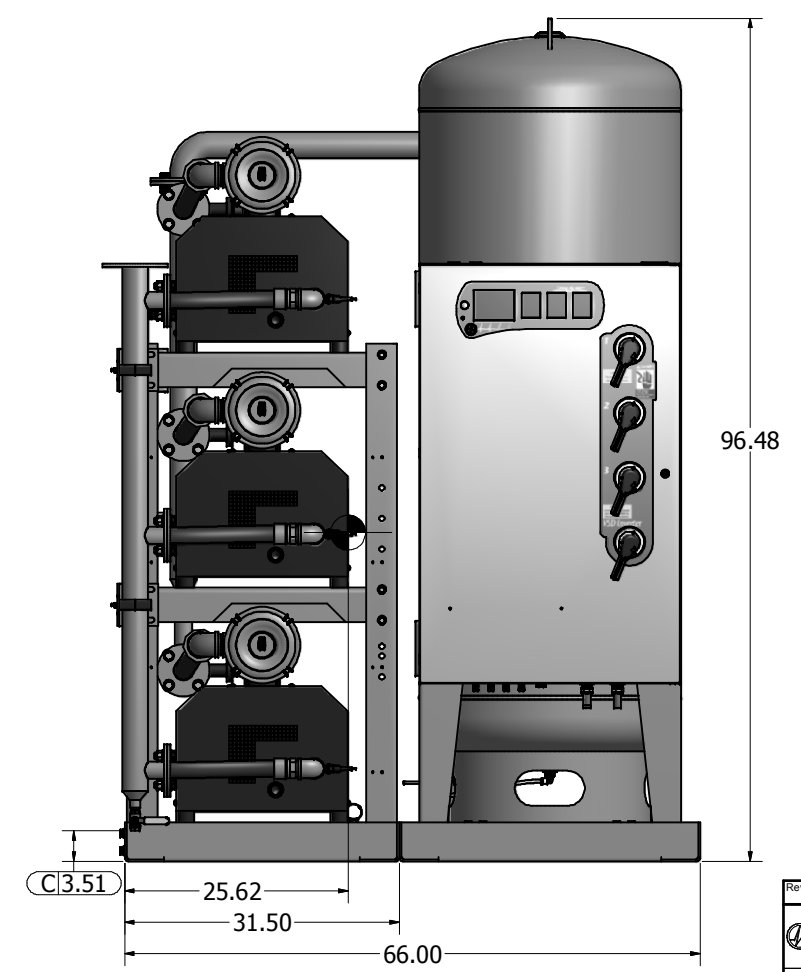
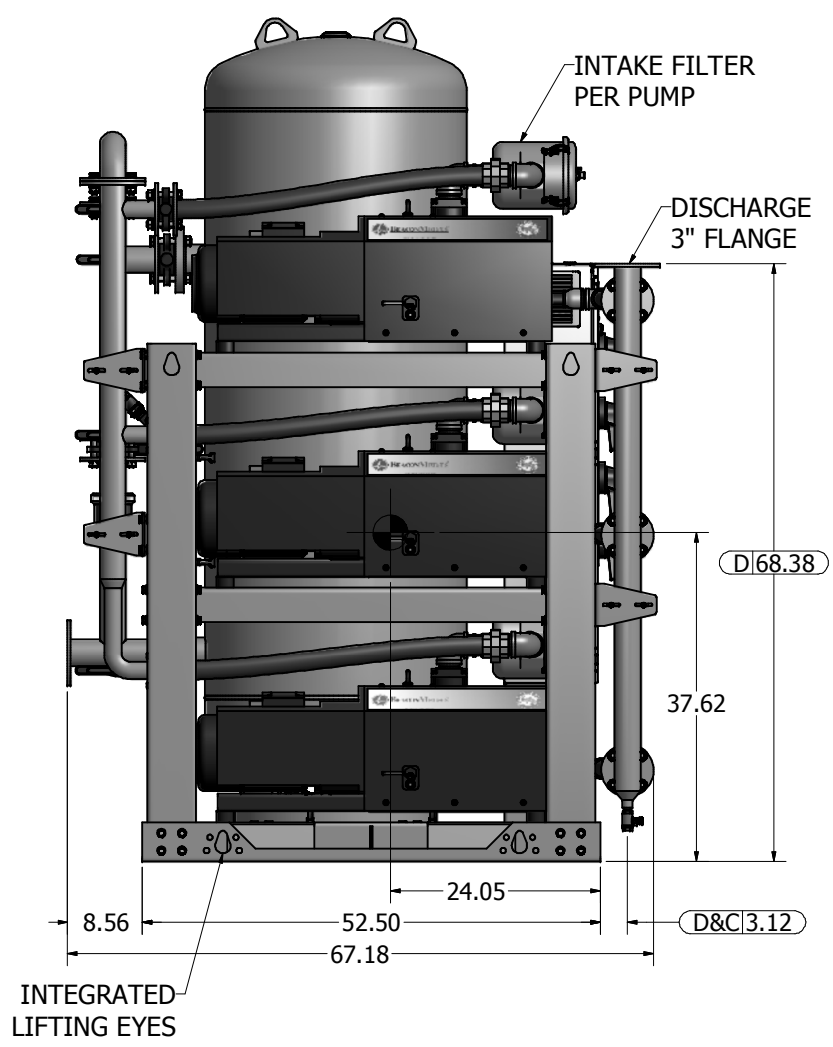
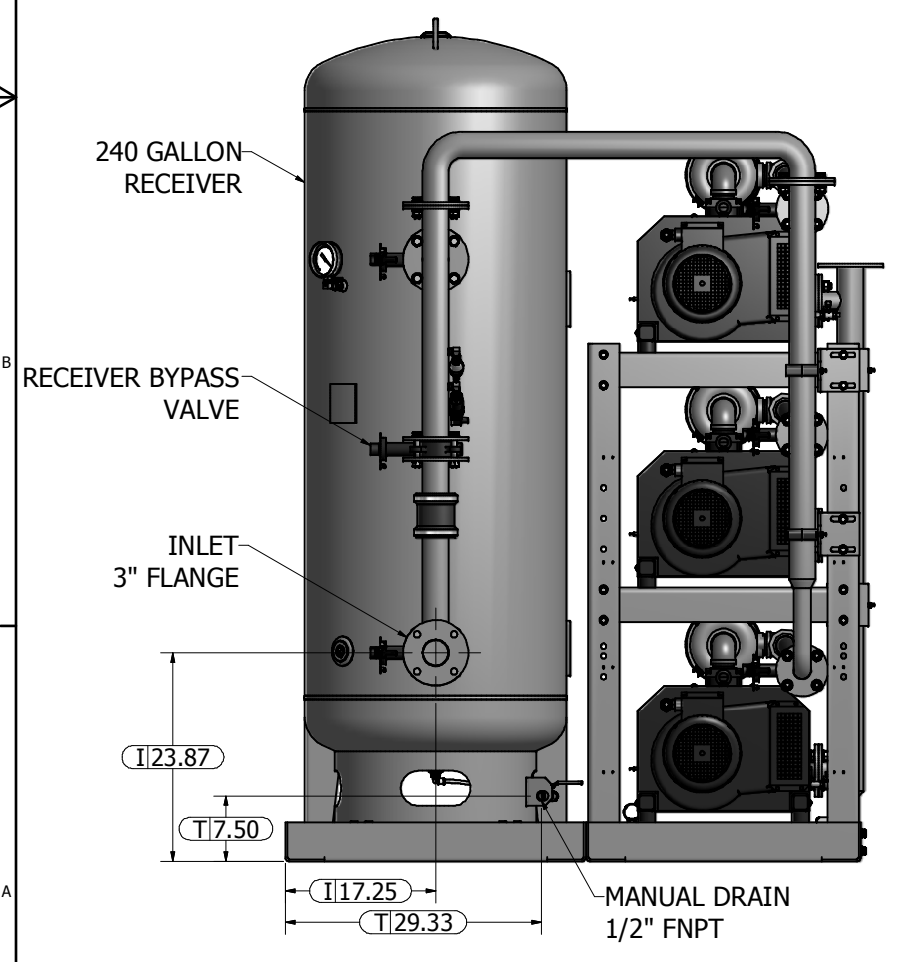
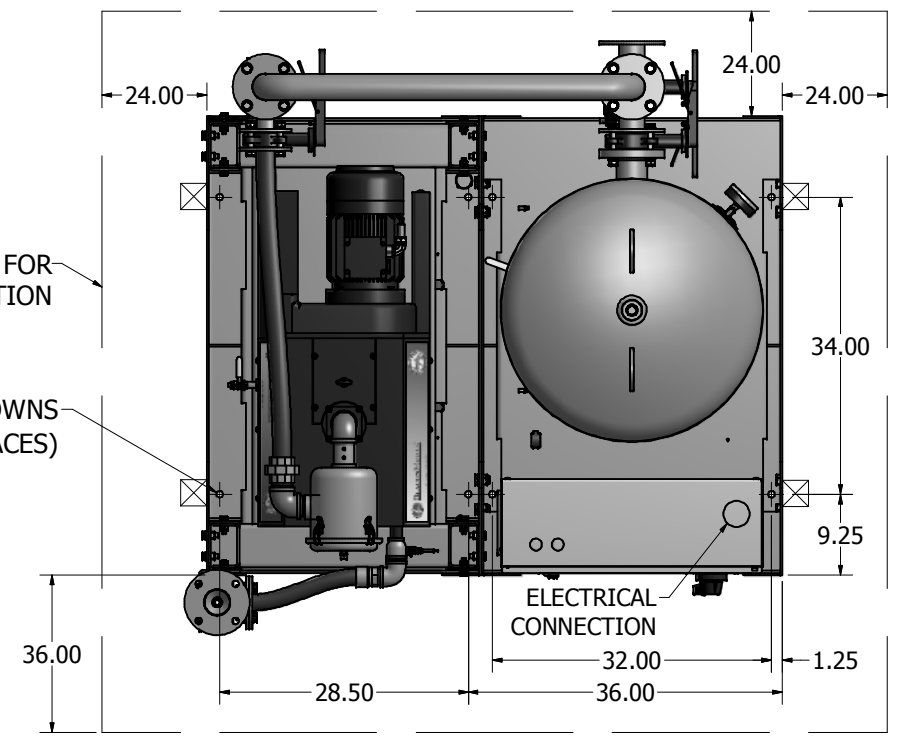


- Notes:
1. DISCHARGE MUFFLER WILL BE SHIPPED LOOSE.
  2. SYSTEM WEIGHT: 3,521 LBS.
  3. ☒ INDICATES LIFTING POINT.
  4. ● DENOTES CENTER OF GRAVITY.

SYSTEM CONNECTIONS	
ID	DESCRIPTION
I	INLET LOCATION
D	DISCHARGE LOCATION
C	CONDENSATE DRAIN LOCATION
T	TANK DRAIN LOCATION



Revised:	Date:	Drawn: CSB	Date: 5/14/2010
		<small>This drawing and the information contained therein remain the property of BeaconMedes and may not be used for other than the purpose for which it is loaned without the expressed written permission from BeaconMedes Engineering.</small>	
Description: GENERAL ASSEMBLY 6.4HP TX VSD CLAW VAC SPC 240G RECEIVER STANDARD & O2 ASSURED		Part Number: 4107 8514 59	Scale: 1/11 <b>D</b>
DN:	100232	Rev:	00
Sheet	1 of 1	DO NOT SCALE THIS DOCUMENT	