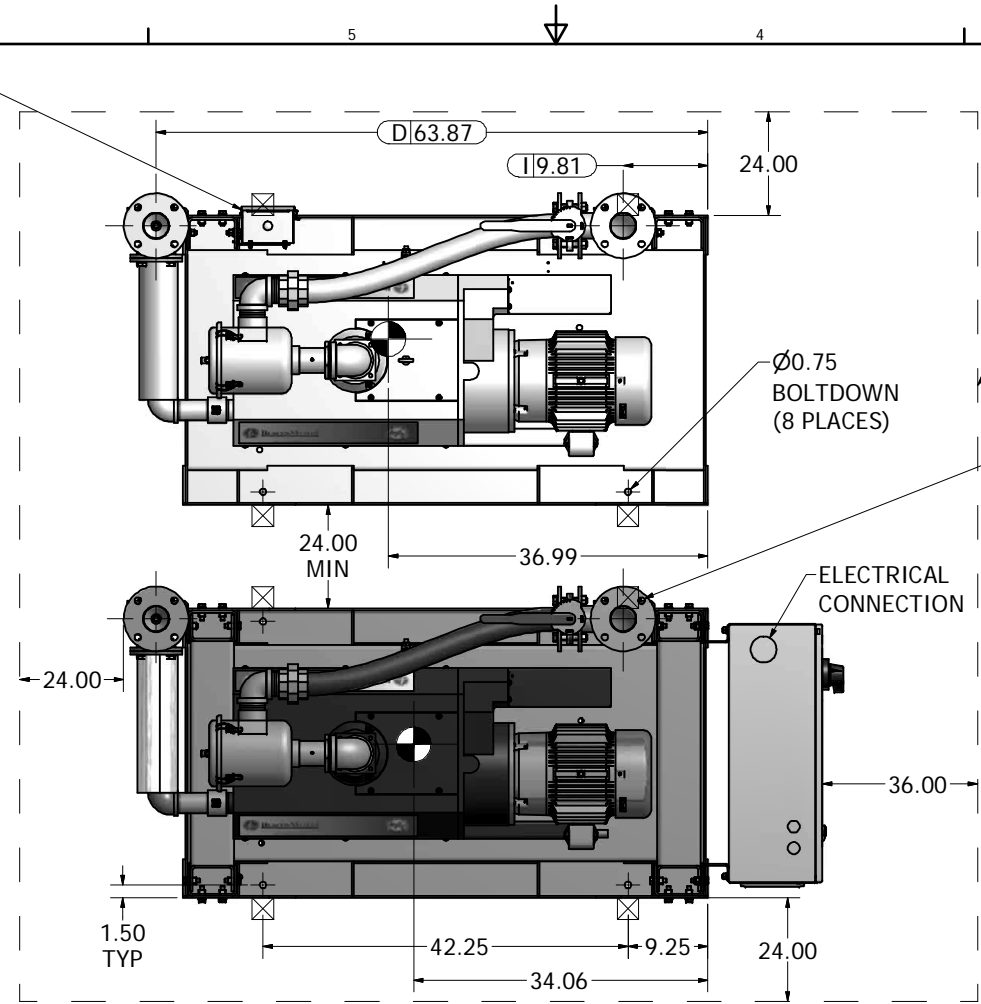


Notes:

- DISCHARGE MUFFLERS WILL BE SHIPPED LOOSE.
- DUPLEX MODULE WITH CONTROL BOX WEIGHT: 2,305 LBS
FUTURE SIMPLEX MODULE WEIGHT: 1,140 LBS
200G TANK WEIGHT: 658 LBS
- ☒ INDICATES LIFTING POINT.
- DENOTES CENTER OF GRAVITY.

SYSTEM CONNECTIONS	
ID	DESCRIPTION
I	INLET LOCATION
D	DISCHARGE LOCATION
C	CONDENSATE DRAIN LOCATION
T	TANK DRAIN LOCATION

REMOVE JUNCTION BOX BEFORE LIFTING (LOCATED ON SX MODULE ONLY)



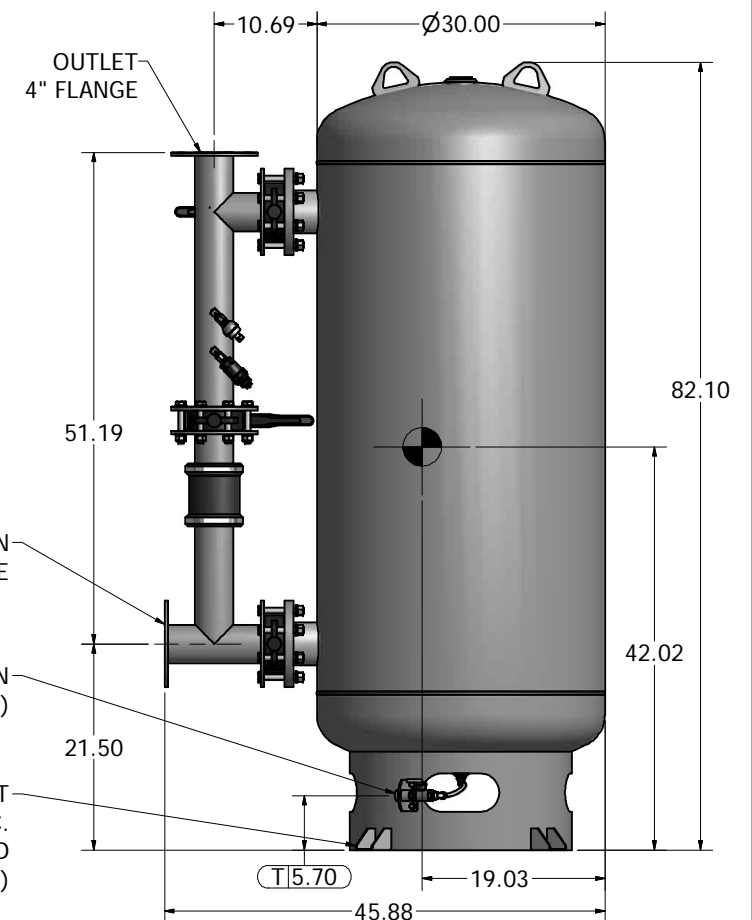
MINIMUM CLEARANCE FOR MAINTENANCE & VENTILATION

REMOVE INTAKE MANIFOLD BEFORE LIFTING (2 PLACES)

HOSPITAL CONN 4" FLANGE

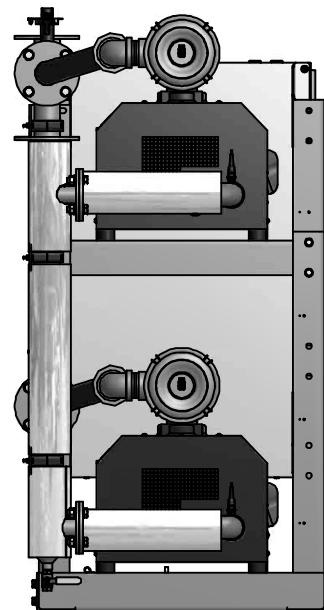
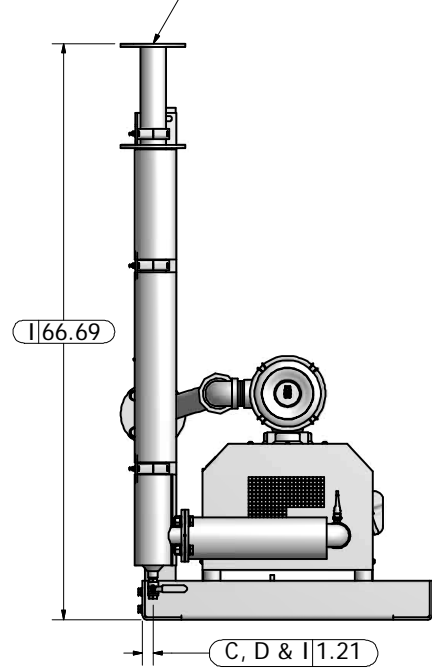
MANUAL DRAIN CONN 1/2" NPT (FEMALE)

0.56 X 0.88 SLOT Ø26.00 B.C. EQUALLY SPACED (4 PLACES)



200 GAL VACUUM RECEIVER 4" FLANGED CONNECTIONS (SCALE 1:10)

FUTURE EXPANSION MODULE

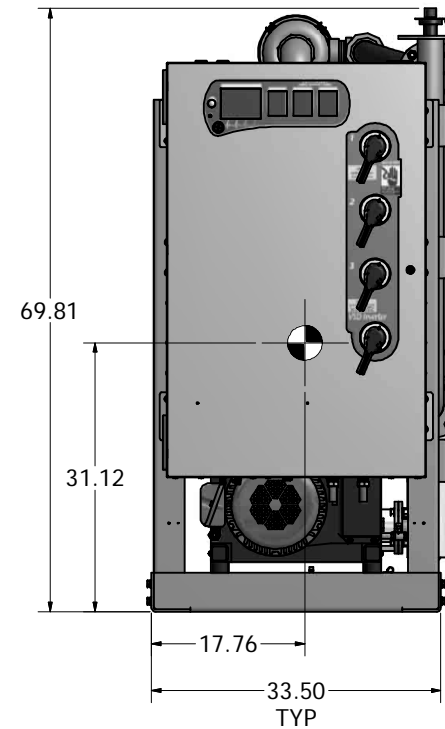
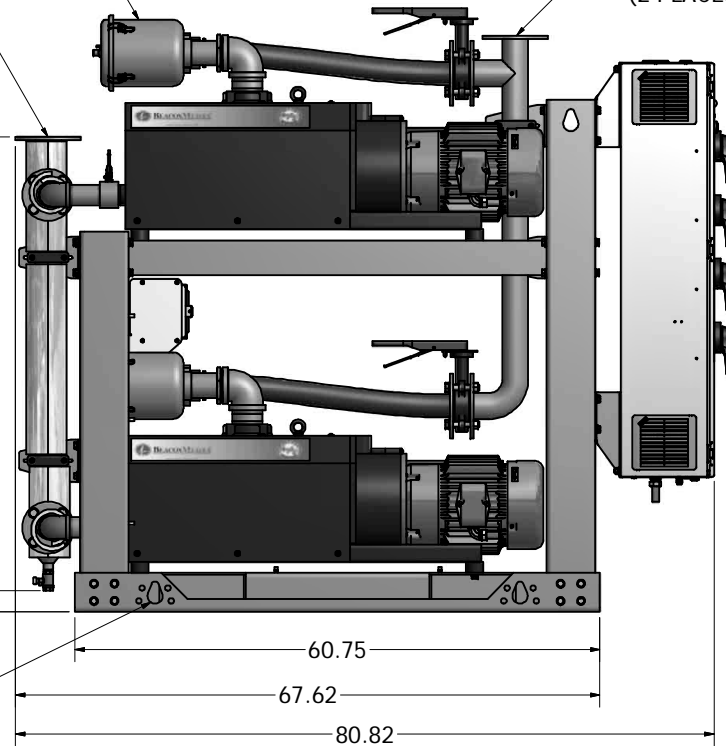


INTAKE FILTER PER PUMP

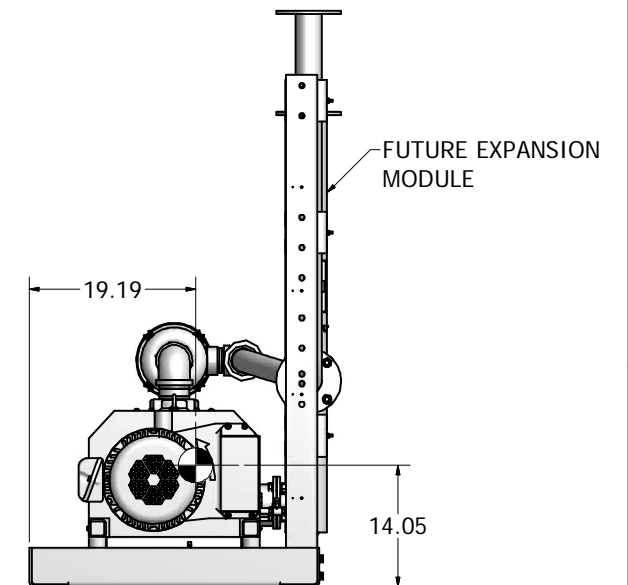
DISCHARGE 3" FLANGE (2 PLACES)

INLET 3" FLANGE (2 PLACES)

INTEGRATED LIFTING EYES



FUTURE EXPANSION MODULE



Revised:	Date:	Drawn: GTM	Date: 5/15/2012
		This drawing and the information contained therein remain the property of BeaconMedes and may not be used for other than the purpose for which it is loaned without the expressed written permission from BeaconMedes Engineering.	
Description: GENERAL ASSEMBLY 10HP DX-X-TX CLAW VSD VAC MOD 200G RECEIVER STANDARD AND O2 ASSURED		Part Number: 4107 8539 45 Rev: 00 HOP120412 Sheet 1 of 1	
Scale: 1/12		DO NOT SCALE THIS DOCUMENT	