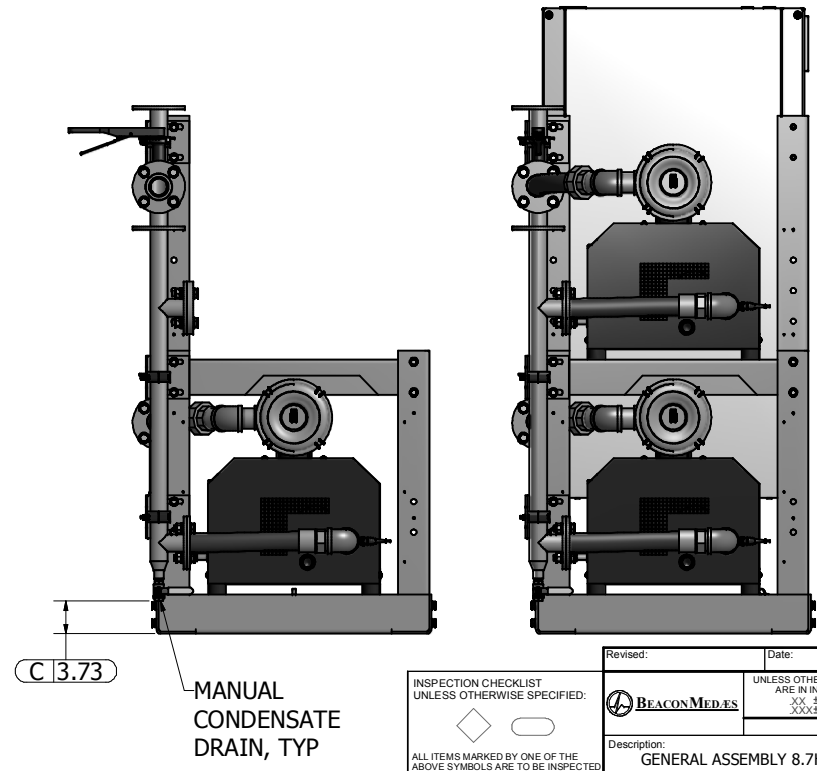
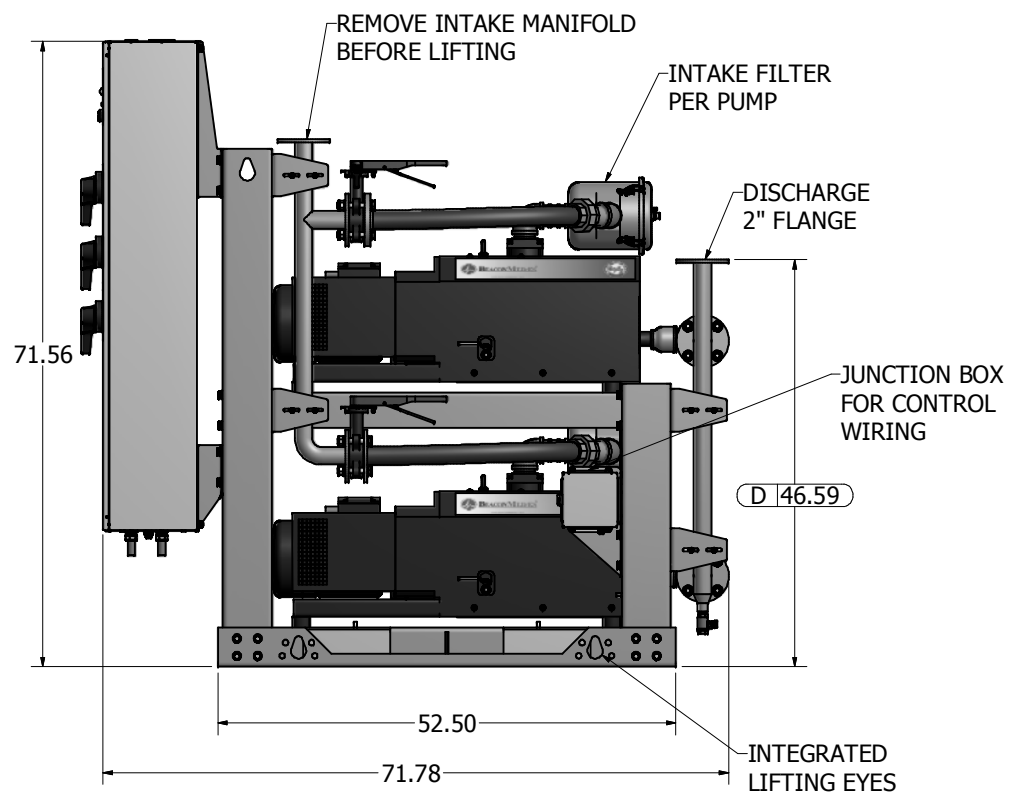
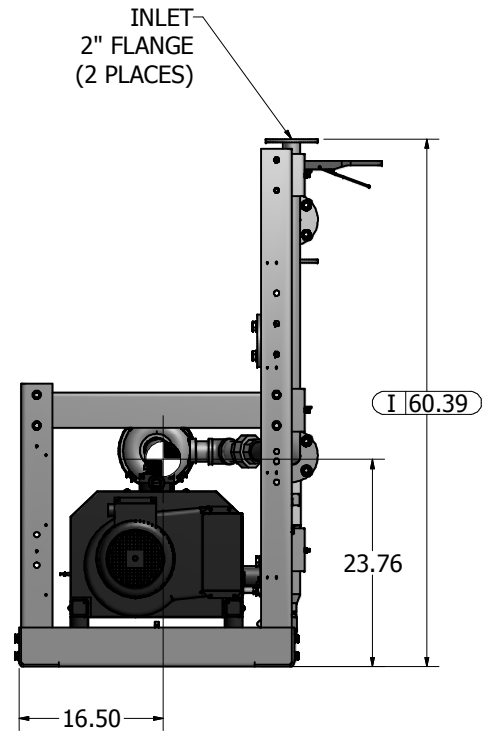
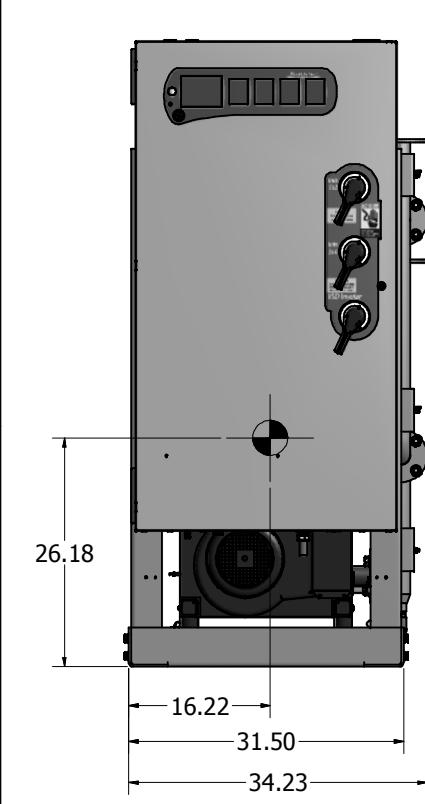
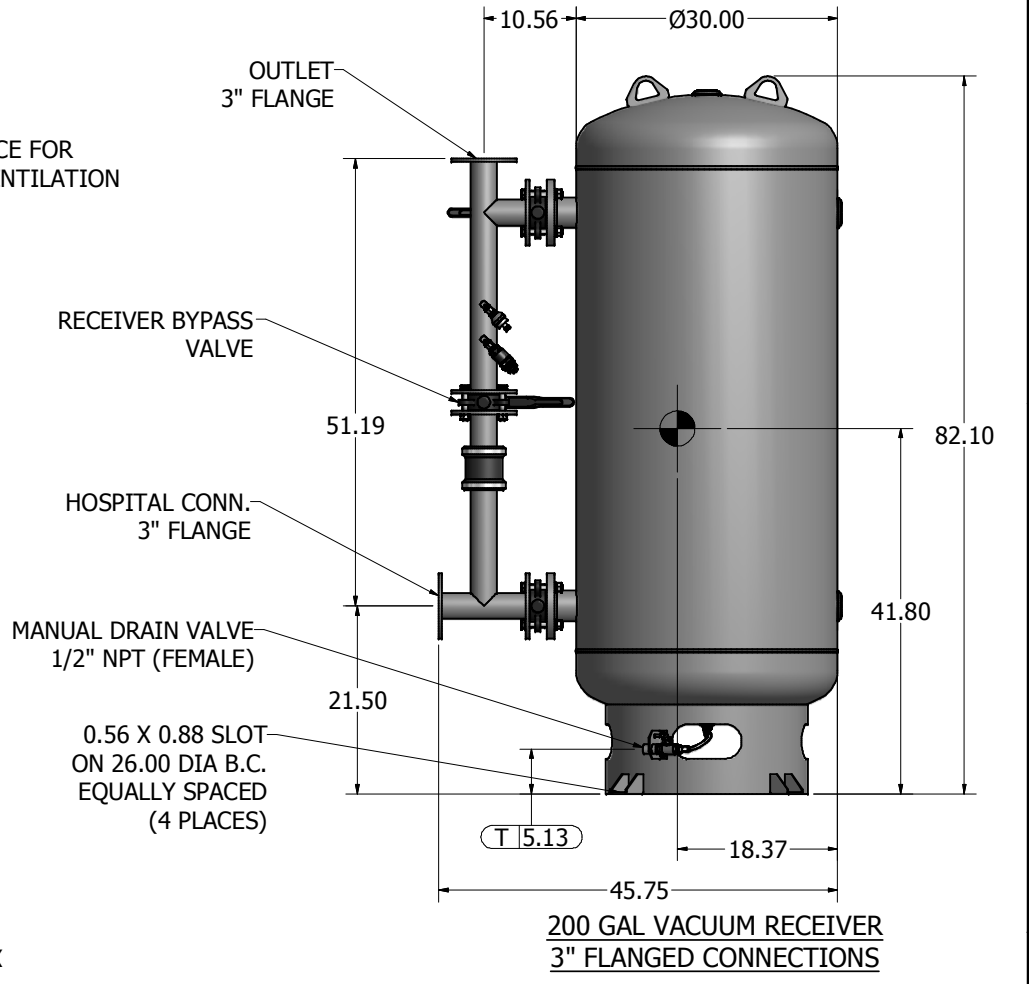
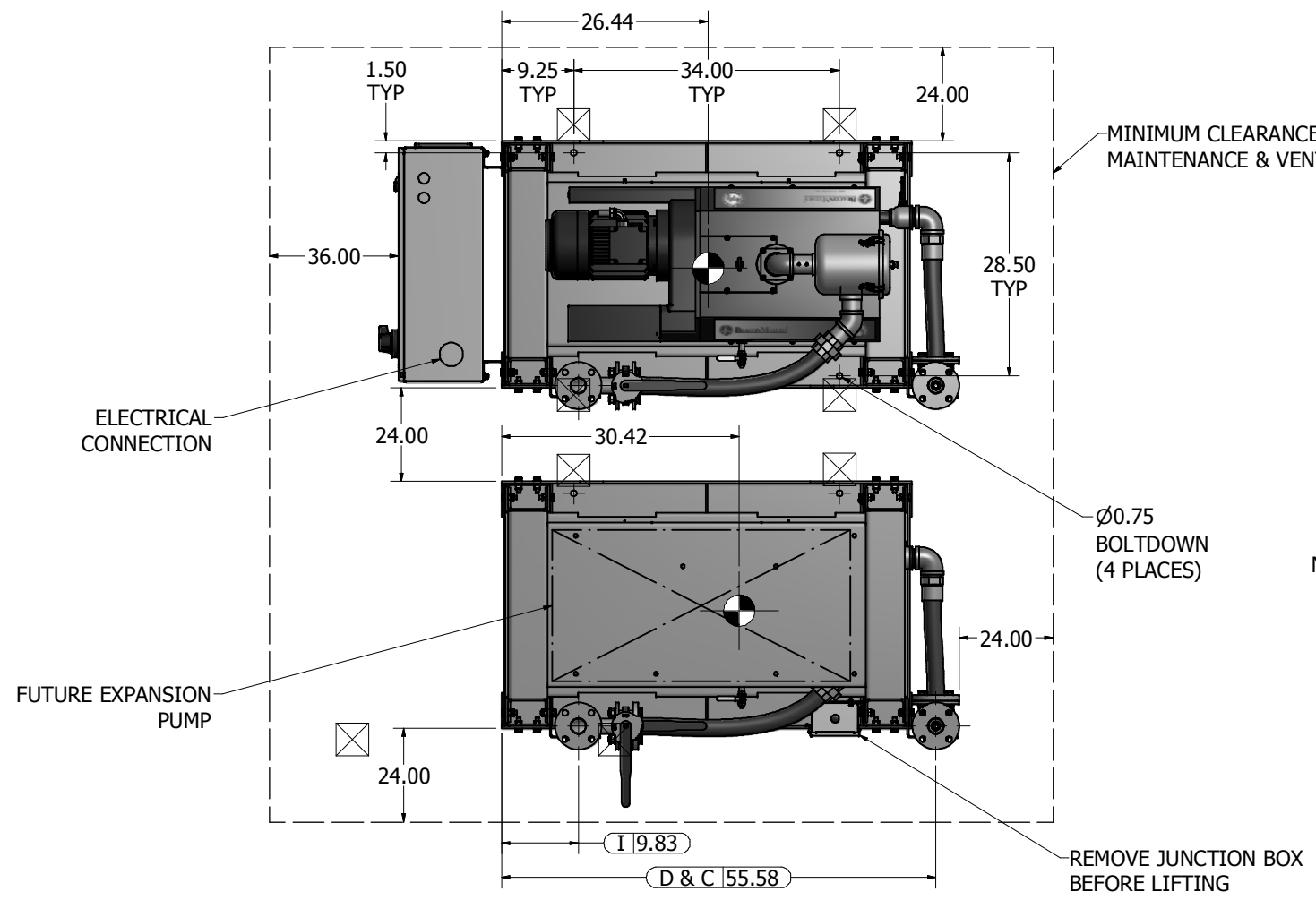


This drawing and the information contained thereon remain the property of BeaconMedes and may not be used for other than the purpose for which it is loaned without the expressed written permission from BeaconMedes Engineering.

- Notes:
- DISCHARGE MUFFLER WILL BE SHIPPED LOOSE.
 - DX MODULE W/PANEL WEIGHT: 1,897 LBS.
DX MODULE WEIGHT: 1,690 LBS. (INCLUDES WEIGHT OF FUTURE EXPANSION PUMP)
200G TANK WEIGHT: 638 LBS
 - ☒ INDICATES LIFTING POINT.
 - DENOTES CENTER OF GRAVITY. (INCLUDES FUTURE EXPANSION PUMP)

ID	SYSTEM CONNECTIONS DESCRIPTION
I	INLET LOCATION
D	DISCHARGE LOCATION
C	CONDENSATE DRAIN LOCATION
T	TANK DRAIN



INSPECTION CHECKLIST UNLESS OTHERWISE SPECIFIED: ◇ ○ ALL ITEMS MARKED BY ONE OF THE ABOVE SYMBOLS ARE TO BE INSPECTED EQUIPMENT TO BE USED DURING RECEIVING INSPECTION SHALL BE PER QUALITY SYSTEM PROCEDURES	Revised:	Date:	Drawn: BJM	Date: 7/7/2010
	UNLESS OTHERWISE SPECIFIED ALL DIMENSIONS ARE IN INCHES AND TOLERANCES ARE: XXX ± 0.2 XXX ± 0.05		Scale: 1:11	
Description: GENERAL ASSEMBLY 8.7HP TX-X-QX CLAW VSD VAC MOD 200G RECEIVER STANDARD AND O2 ASSURED		Part Number: 4107 8515 63		Rev: 00
DN: USN100358		Sheet 1 of 1		