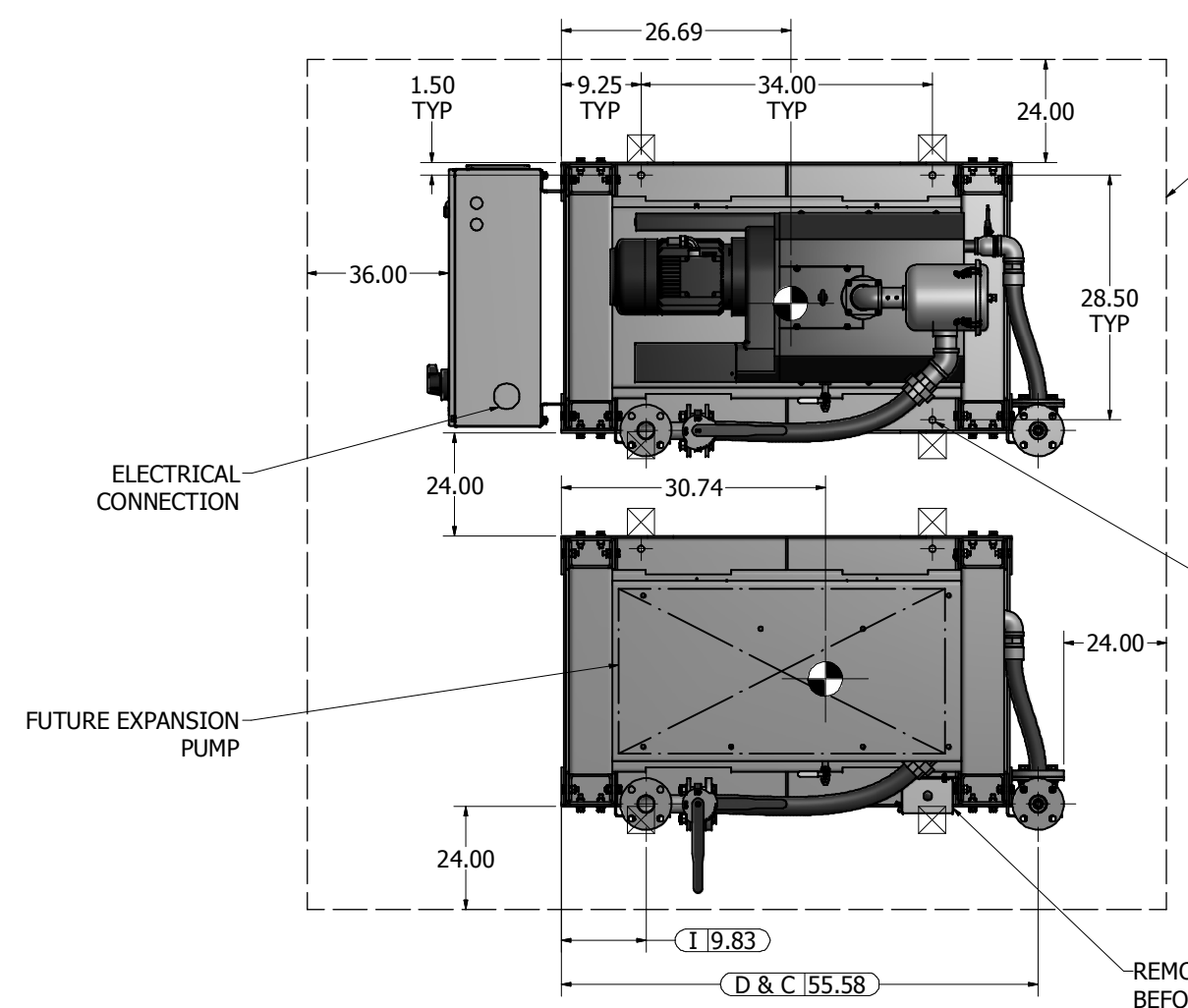


This drawing and the information contained thereon remain the property of BeaconMedas and may not be used for other than the purpose for which it is loaned without the expressed written permission from BeaconMedas Engineering.

- Notes:
- DISCHARGE MUFFLER WILL BE SHIPPED LOOSE.
  - DX MODULE W/PANEL WEIGHT: 1,877 LBS.  
DX MODULE WEIGHT: 1,671 LBS. (INCLUDES WEIGHT OF EXPANSION PUMP)  
240G TANK WEIGHT: 713 LBS
  - ⊠ INDICATES LIFTING POINT.
  - DENOTES CENTER OF GRAVITY. (INCLUDES FUTURE EXPANSION PUMP)

SYSTEM CONNECTIONS	
ID	DESCRIPTION
I	INLET LOCATION
D	DISCHARGE LOCATION
C	CONDENSATE DRAIN LOCATION
T	TANK DRAIN



MINIMUM CLEARANCE FOR MAINTENANCE & VENTILATION

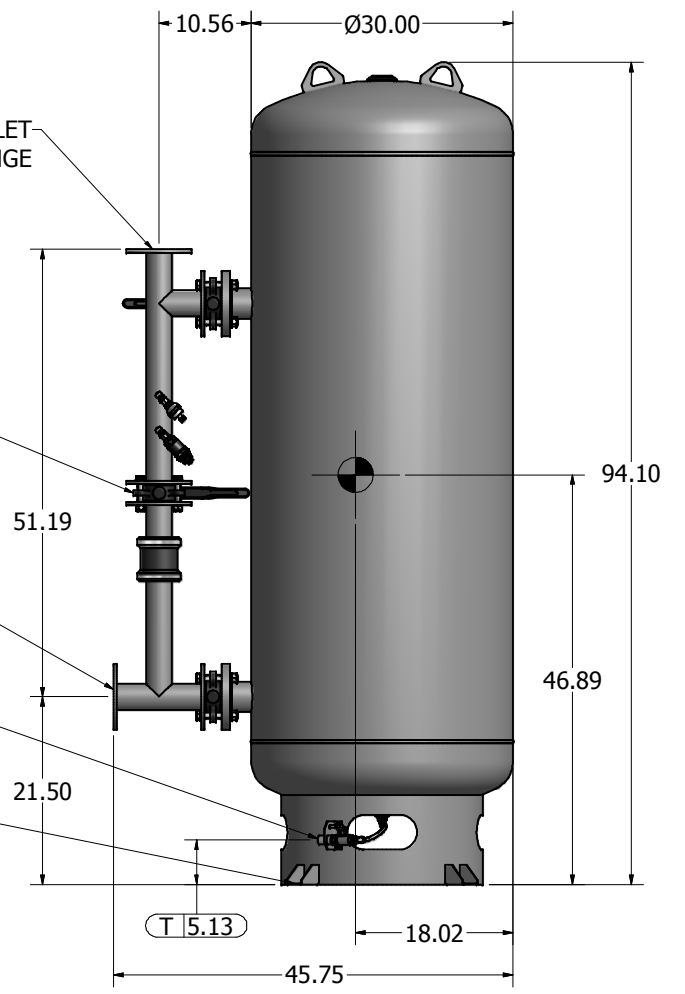
OUTLET 3" FLANGE

RECEIVER BYPASS VALVE

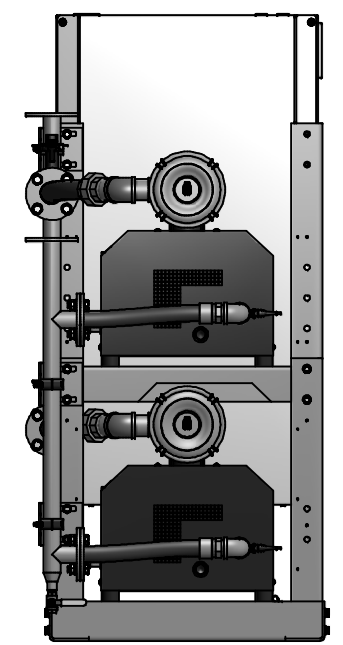
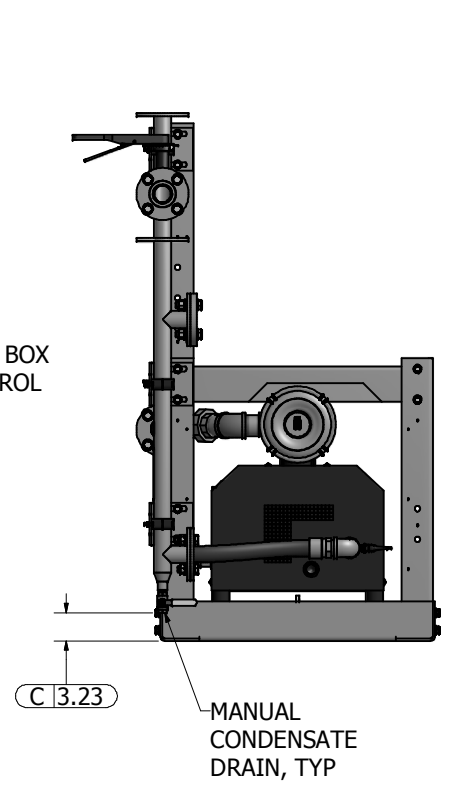
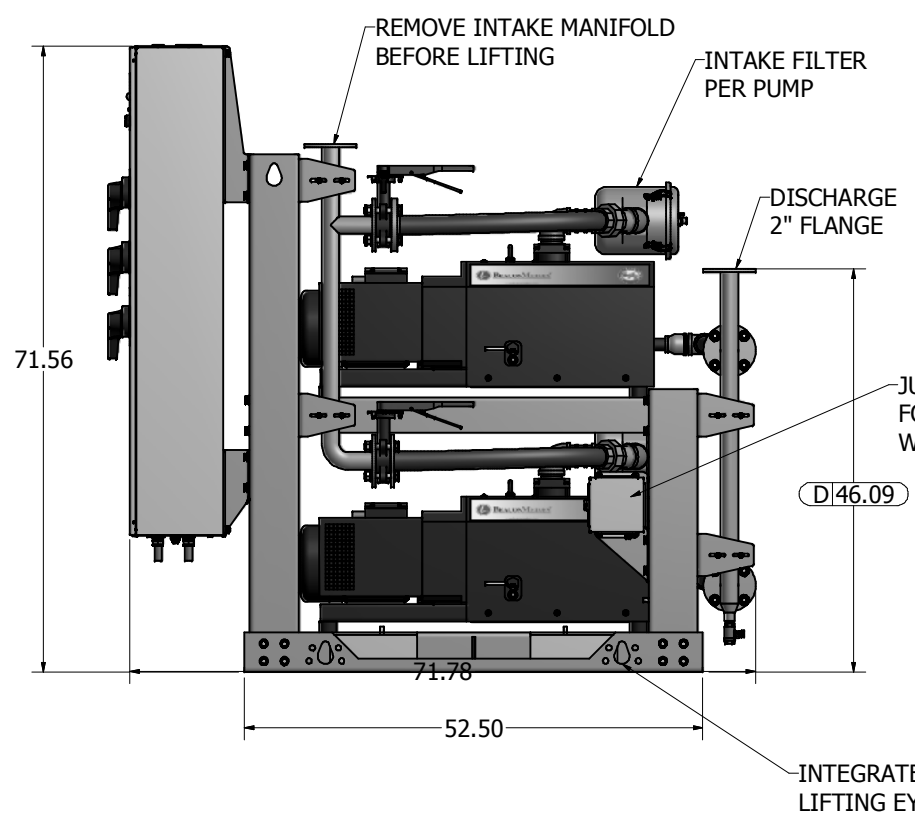
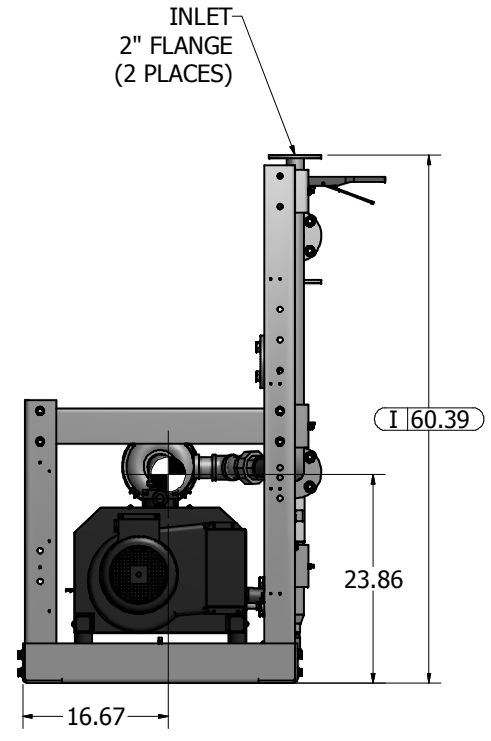
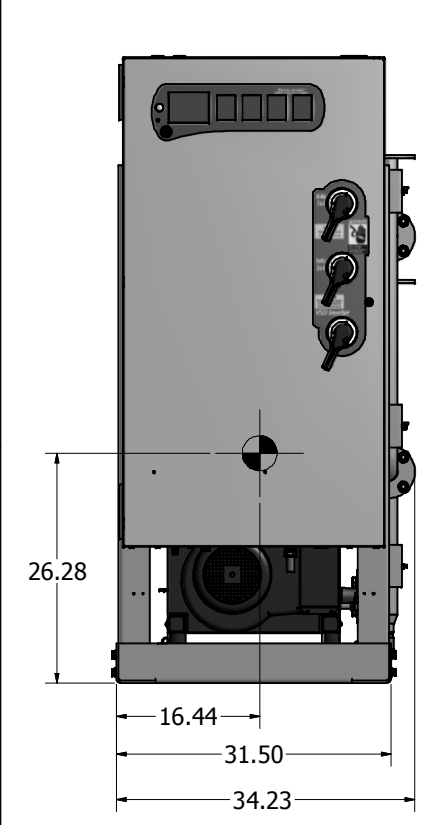
HOSPITAL CONN. 3" FLANGE

MANUAL DRAIN VALVE 1/2" NPT (FEMALE)

0.56 X 0.88 SLOT ON 26.00 DIA B.C. EQUALLY SPACED (4 PLACES)



240 GAL VACUUM RECEIVER 3" FLANGED CONNECTIONS



Revised:	Date:	Drawn: BJM	Date: 7/7/2010
UNLESS OTHERWISE SPECIFIED ALL DIMENSIONS ARE IN INCHES AND TOLERANCES ARE: XXX ±.02 XXX ±.005			
Description: GENERAL ASSEMBLY 7.5HP TX-X-QX CLAW VSD VAC MOD 240G RECEIVER STANDARD AND O2 ASSURED		Part Number: 4107 8515 62	Scale: 1:11
DN: USN100358	Rev: 00	Sheet 1 of 1	
DO NOT SCALE THIS DOCUMENT			