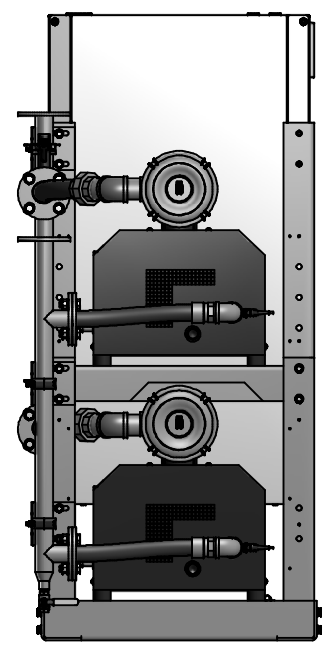
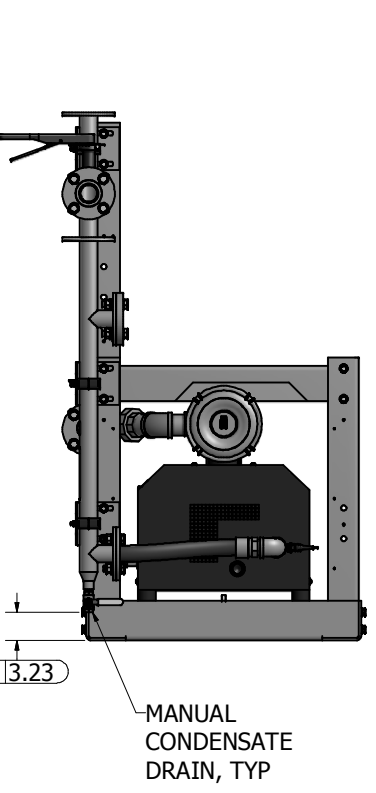
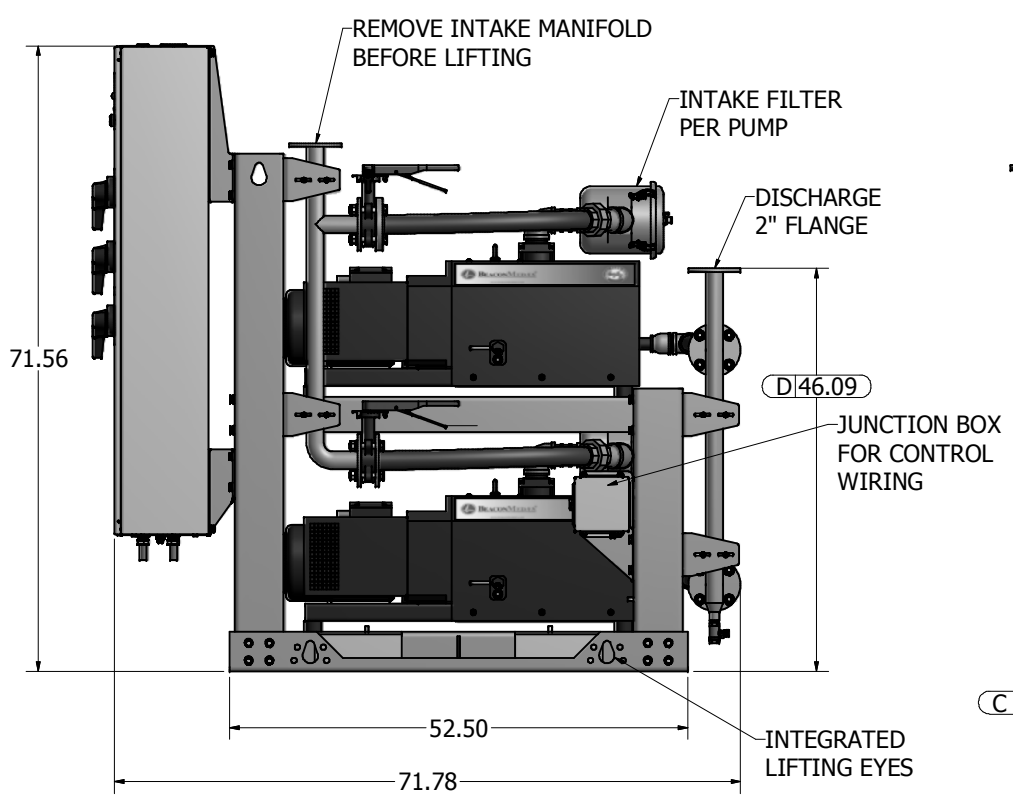
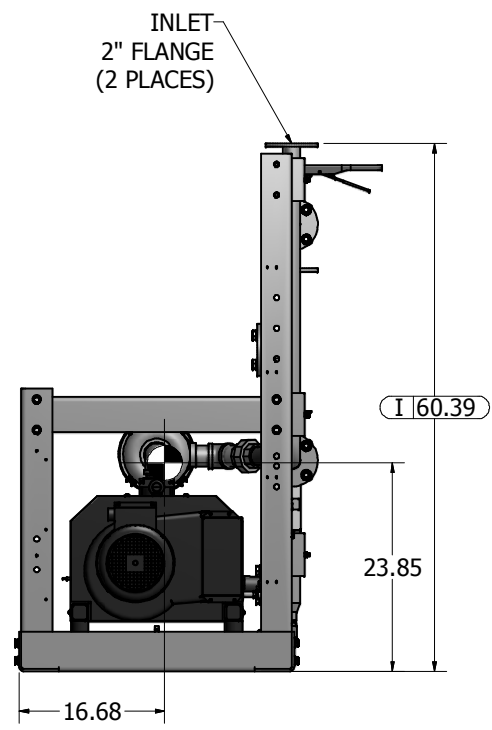
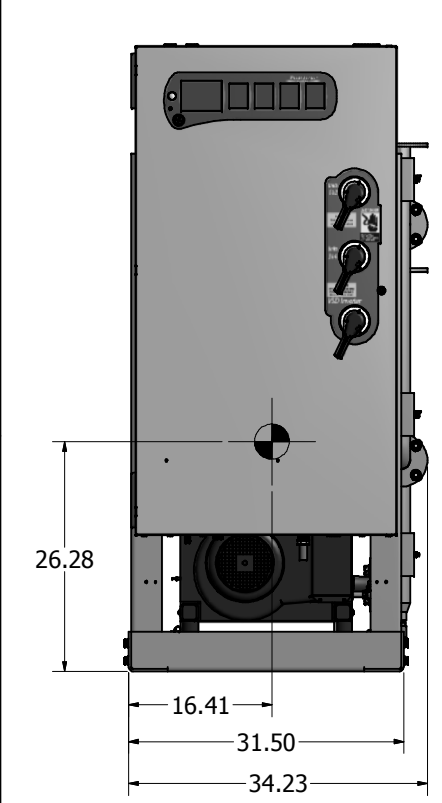
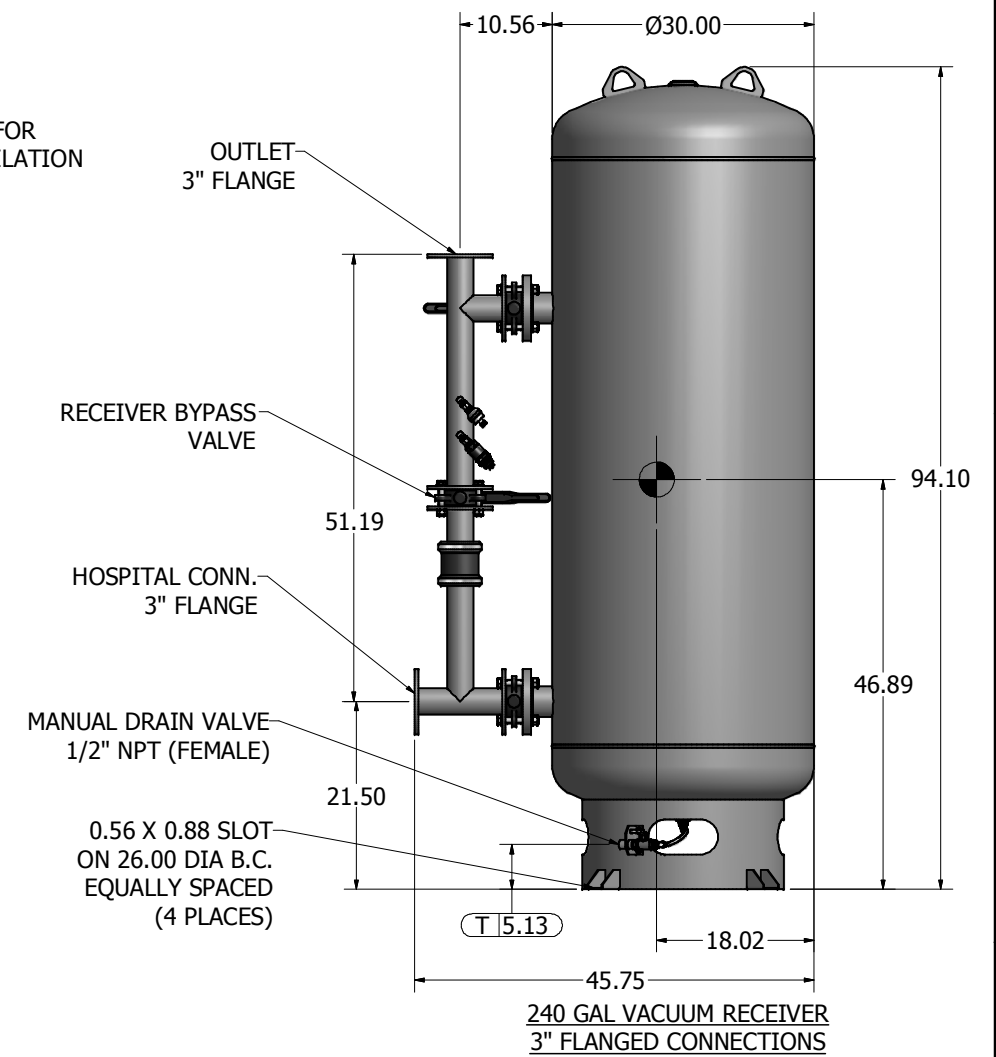
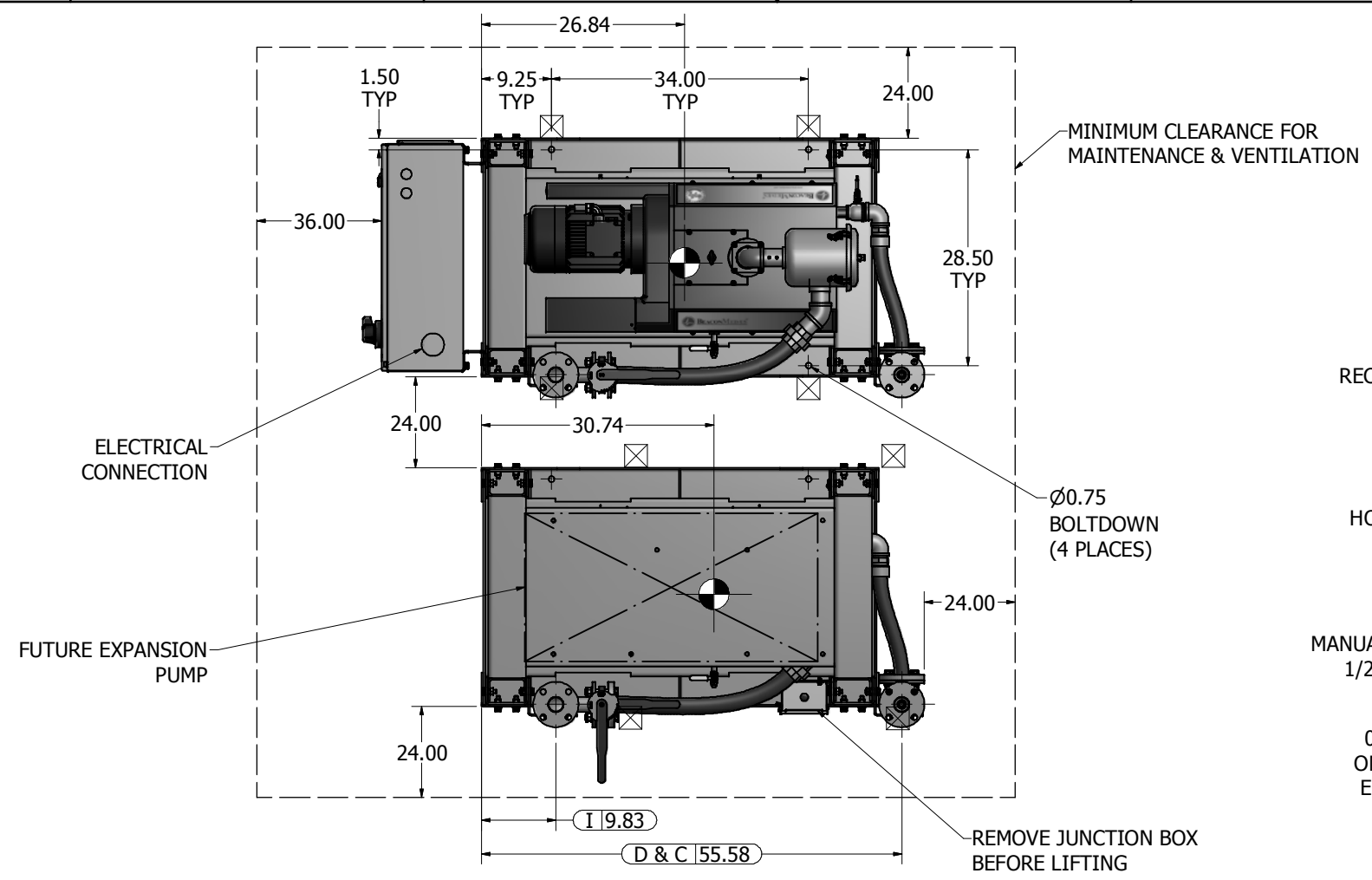


This drawing and the information contained thereon remain the property of BeaconMedes and may not be used for other than the purpose for which it is loaned without the expressed written permission from BeaconMedes Engineering.

- Notes:
- DISCHARGE MUFFLER WILL BE SHIPPED LOOSE.
  - DX MODULE W/PANEL WEIGHT: 1,869 LBS.  
DX MODULE WEIGHT: 1,662 LBS. (INCLUDES FUTURE EXPANSION PUMP)  
240G TANK WEIGHT: 713 LBS
  - ☒ INDICATES LIFTING POINT.
  - DENOTES CENTER OF GRAVITY. (INCLUDES FUTURE EXPANSION MODULE)

| SYSTEM CONNECTIONS |                           |
|--------------------|---------------------------|
| ID                 | DESCRIPTION               |
| I                  | INLET LOCATION            |
| D                  | DISCHARGE LOCATION        |
| C                  | CONDENSATE DRAIN LOCATION |
| T                  | TANK DRAIN                |



|   |         |                              |                            |
|---|---------|------------------------------|----------------------------|
| Revised:  | Date:   | Drawn: BJM                   | Date: 7/8/2010             |
| UNLESS OTHERWISE SPECIFIED ALL DIMENSIONS ARE IN INCHES AND TOLERANCES ARE:<br>XXX ± 0.2      XXXX ± 0.005<br>XXX ± 0.05      ANGLES ± 9° |         |                              |                            |
| Description:<br>GENERAL ASSEMBLY 6.4HP<br>TX-X-QX CLAW VSD VAC MOD<br>240G RECEIVER STANDARD AND<br>O2 ASSURED                            |         | Part Number:<br>4107 8515 60 | Scale: 1:11                |
| DN: USN100358   | Rev: 00 | Sheet 1 of 1                 | DO NOT SCALE THIS DOCUMENT |