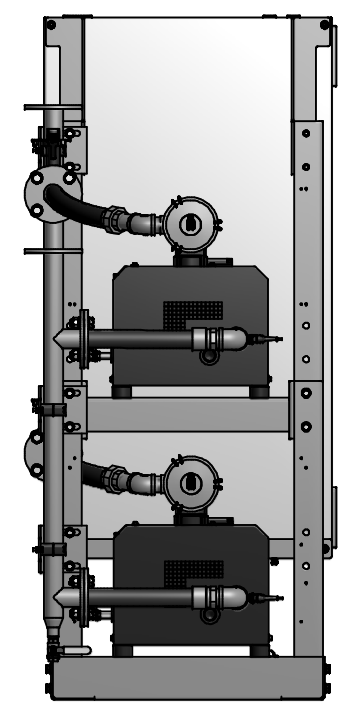
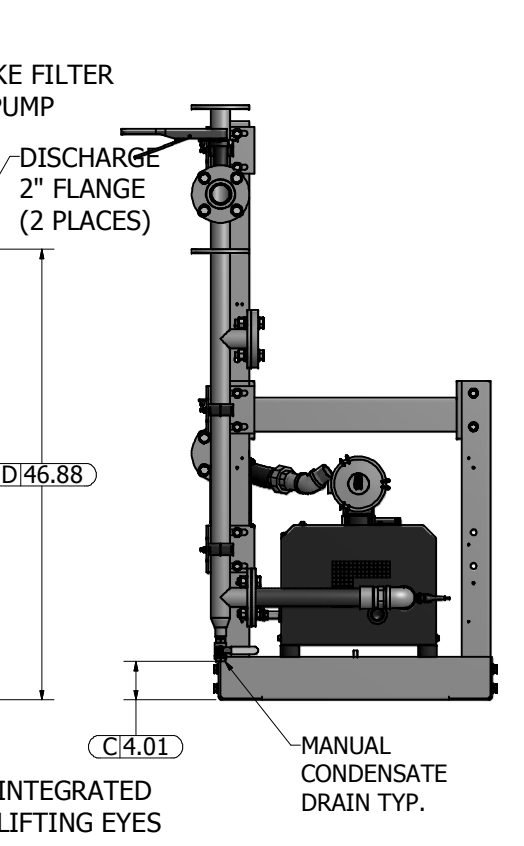
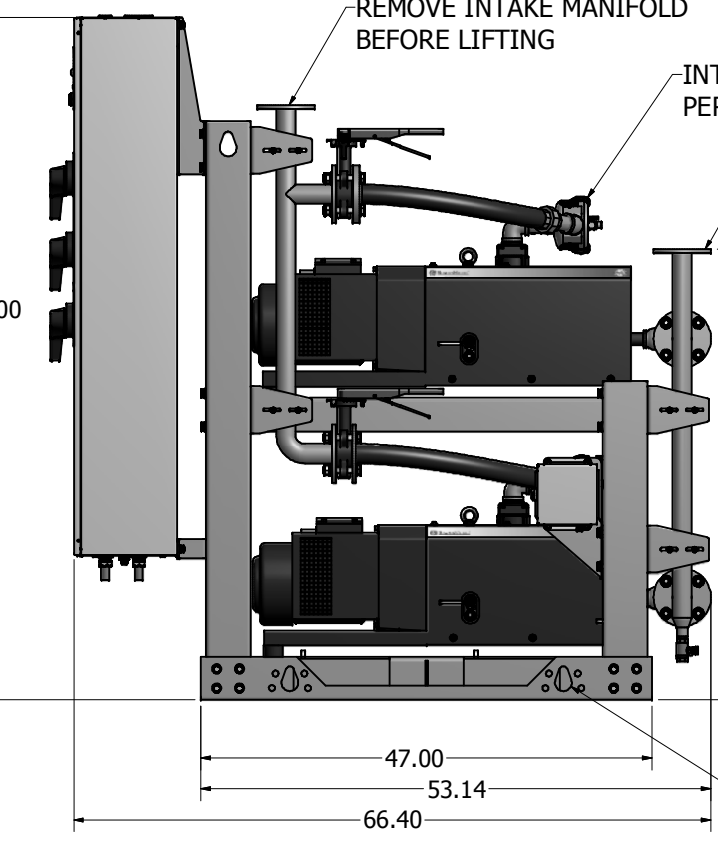
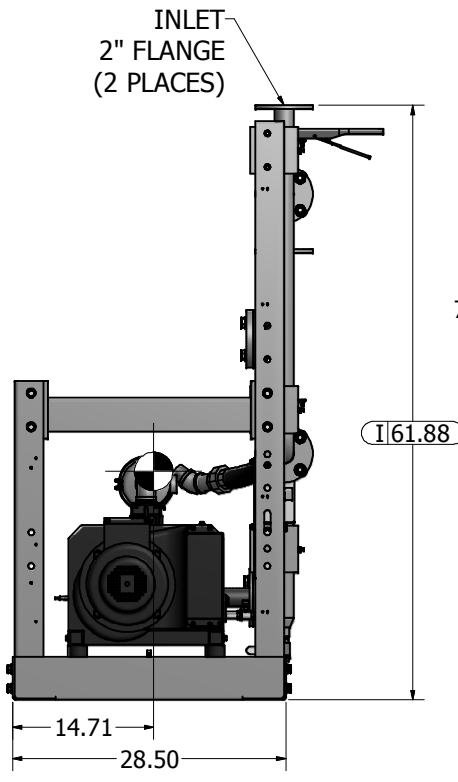
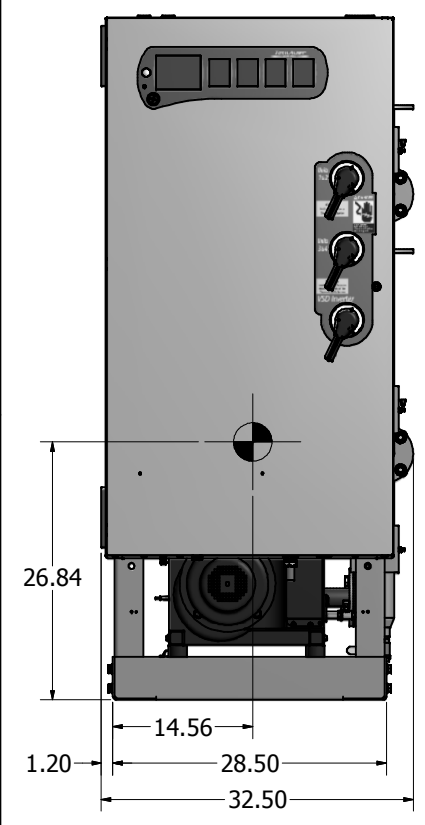
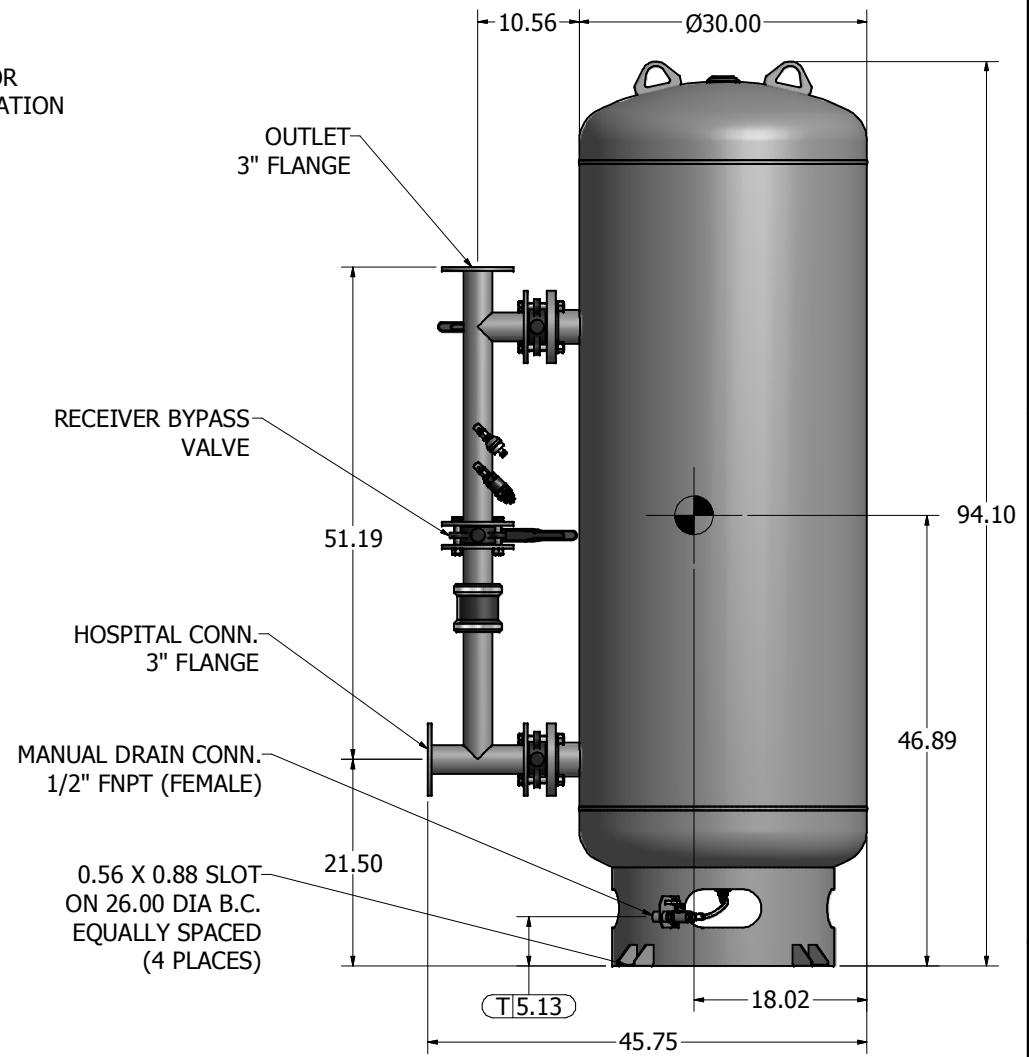
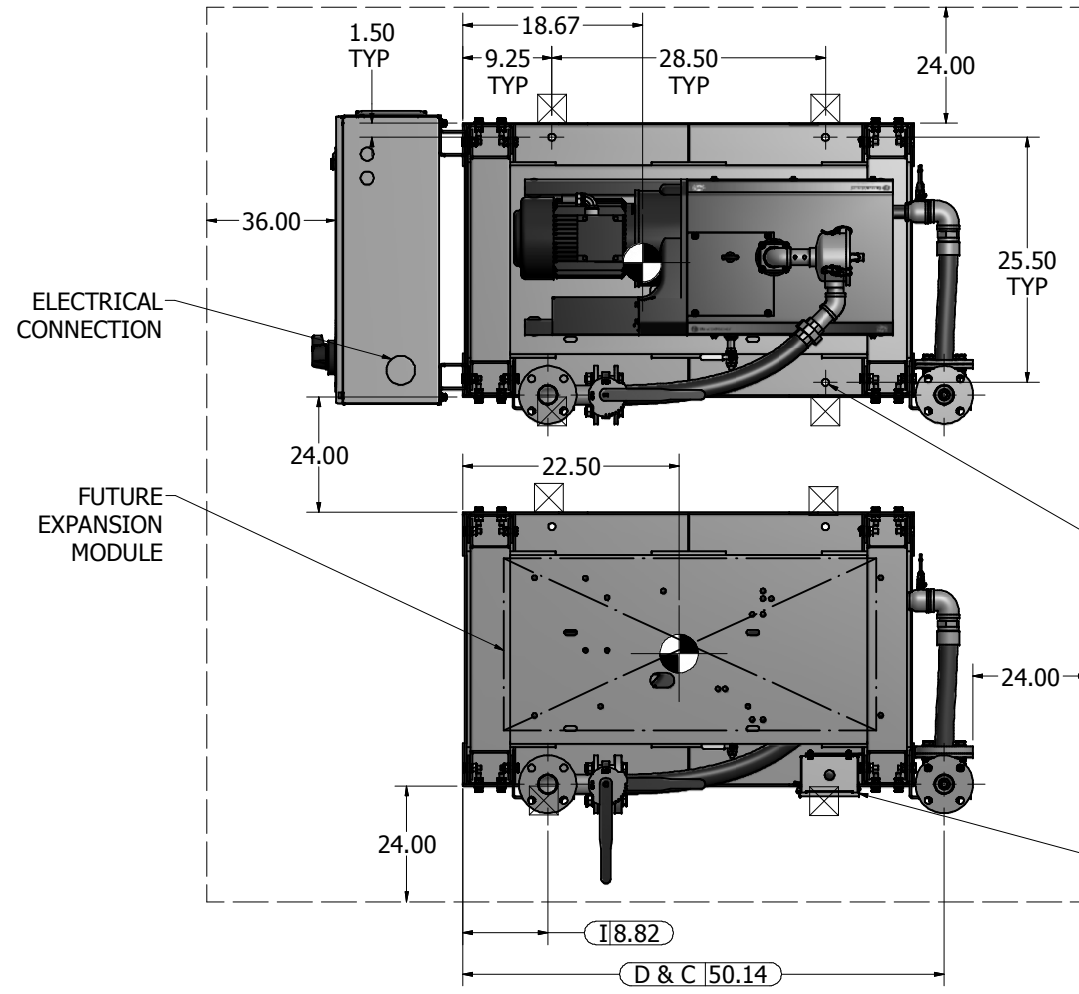


Notes:

- DISCHARGE MUFFLER WILL BE SHIPPED LOOSE.
- DX MODULE W/PANEL WEIGHT: 1,464 LBS
DX MODULE WEIGHT: 1,252 LBS (INCLUDES FUTURE EXPANSION PUMP)
240G TANK WEIGHT: 713 LBS
- ⊠ INDICATES LIFTING POINT.
- DENOTES CENTER OF GRAVITY. (INCLUDES FUTURE EXPANSION PUMP)

SYSTEM CONNECTIONS	
ID	DESCRIPTION
I	INLET LOCATION
D	DISCHARGE LOCATION
C	CONDENSATE DRAIN LOCATION
T	TANK DRAIN



240 GAL VACUUM RECEIVER
3" FLANGED CONNECTIONS

Revised:	Date:	Drawn: BJM	Date: 7/8/2010
		This drawing and the information contained therein remain the property of BeaconMedes and may not be used for other than the purpose for which it is loaned without the expressed written permission from BeaconMedes Engineering.	
Description: GENERAL ASSEMBLY 5.4HP TX-X-QX CLAW VSD VAC MOD 240G RECEIVER STANDARD AND O2 ASSURED		Part Number: 4107 8515 58 Rev: 00 USN100358 Sheet 1 of 1 DO NOT SCALE THIS DOCUMENT	