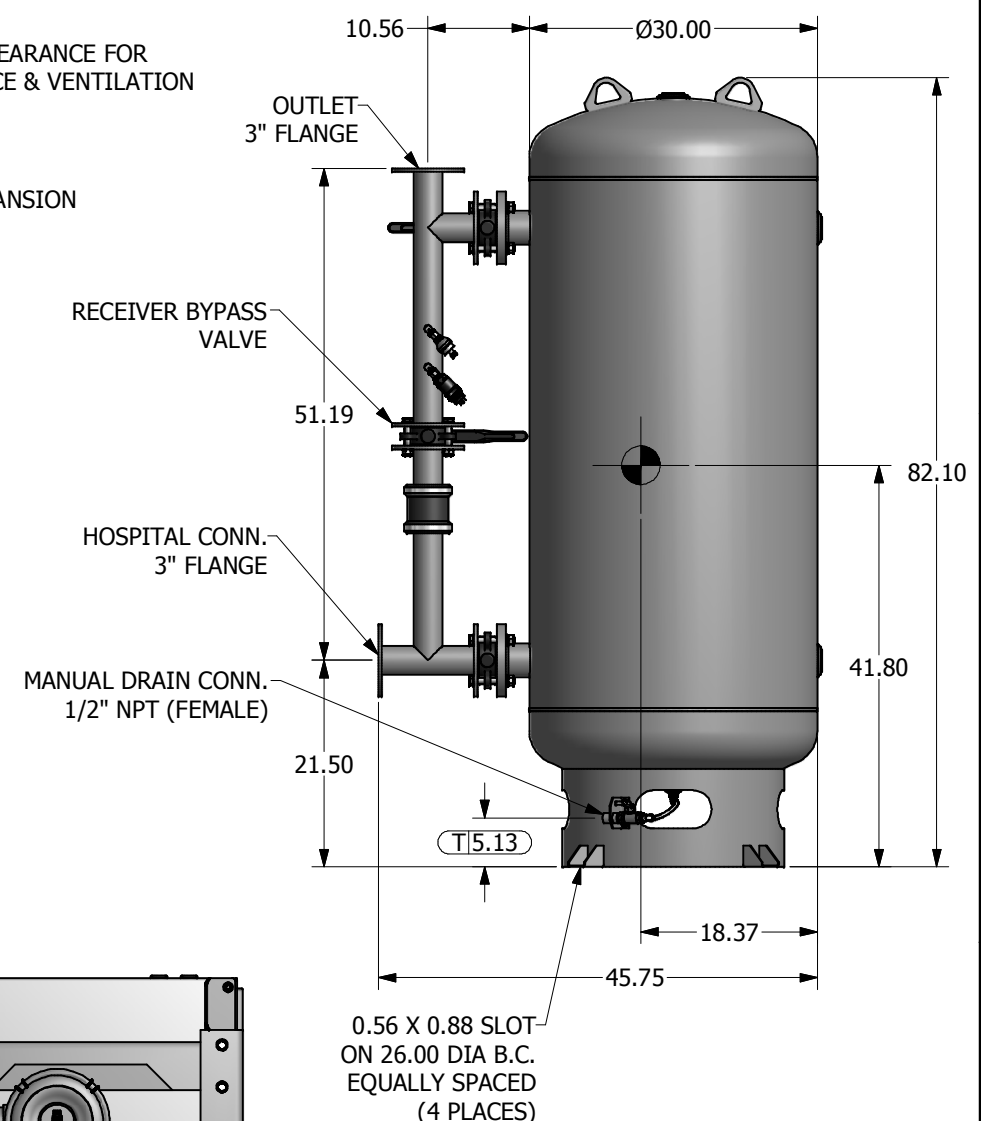
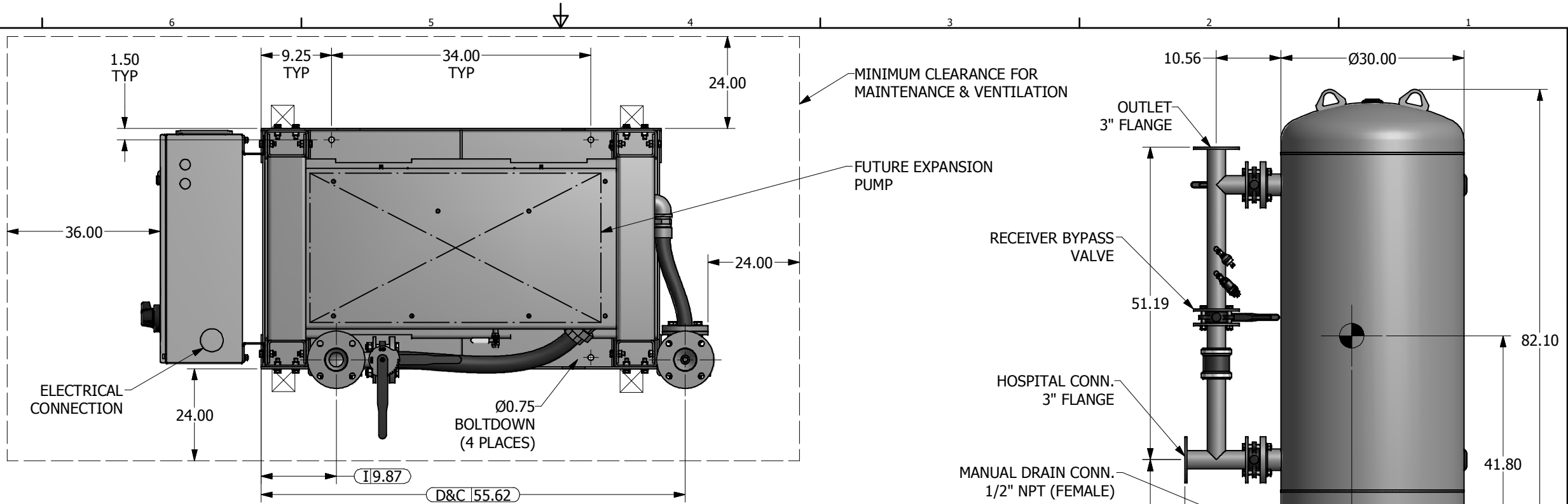
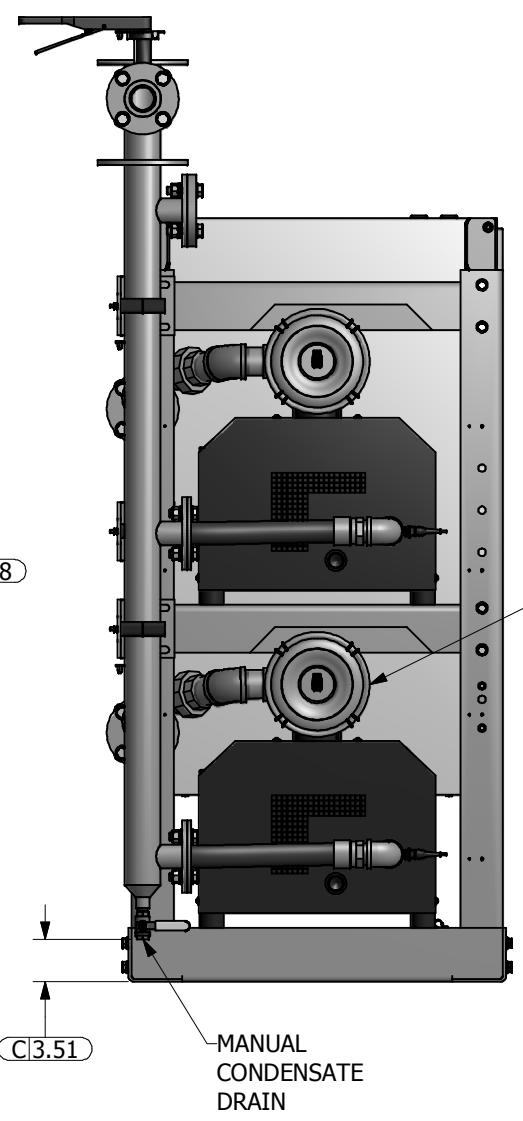
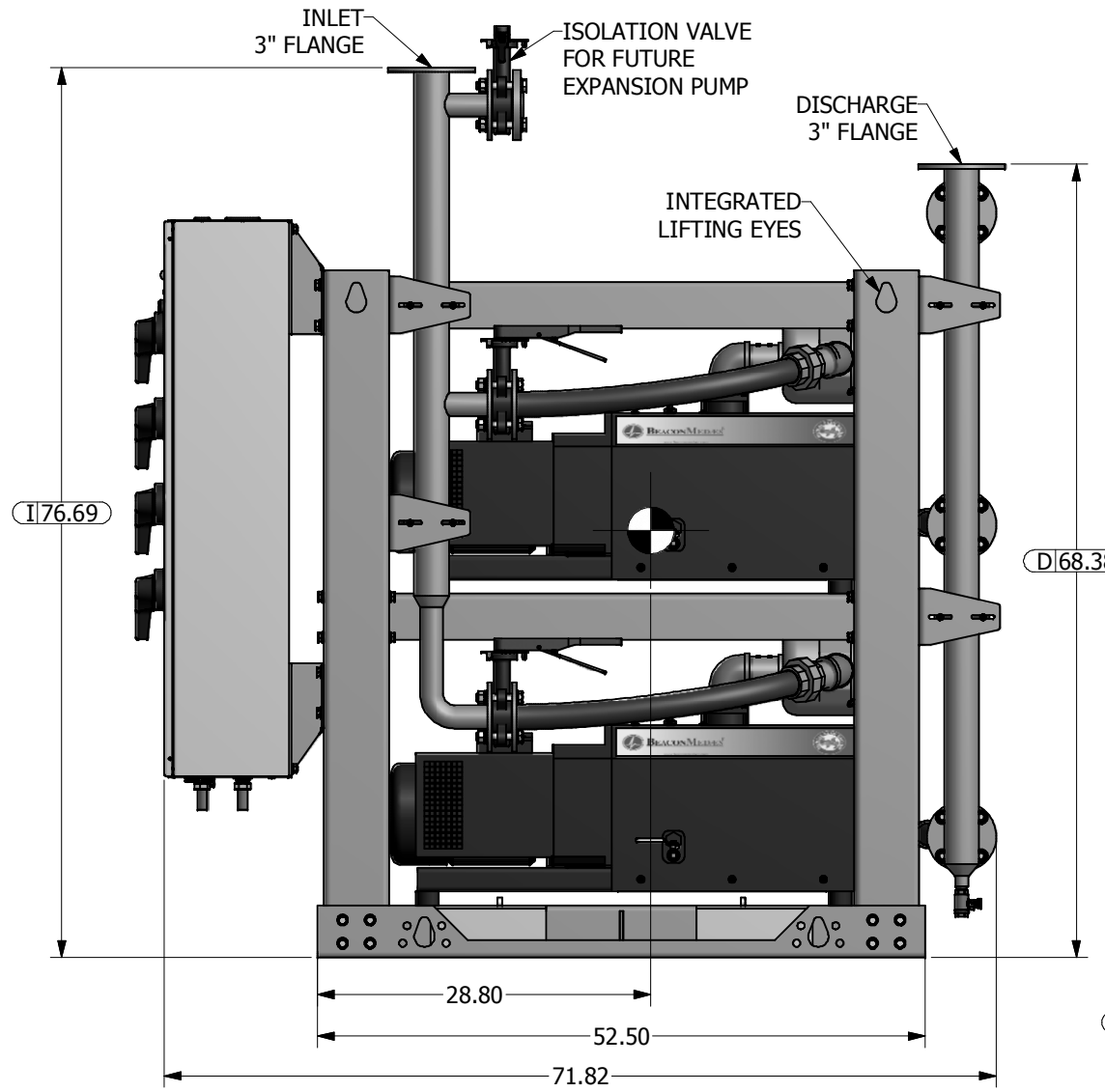
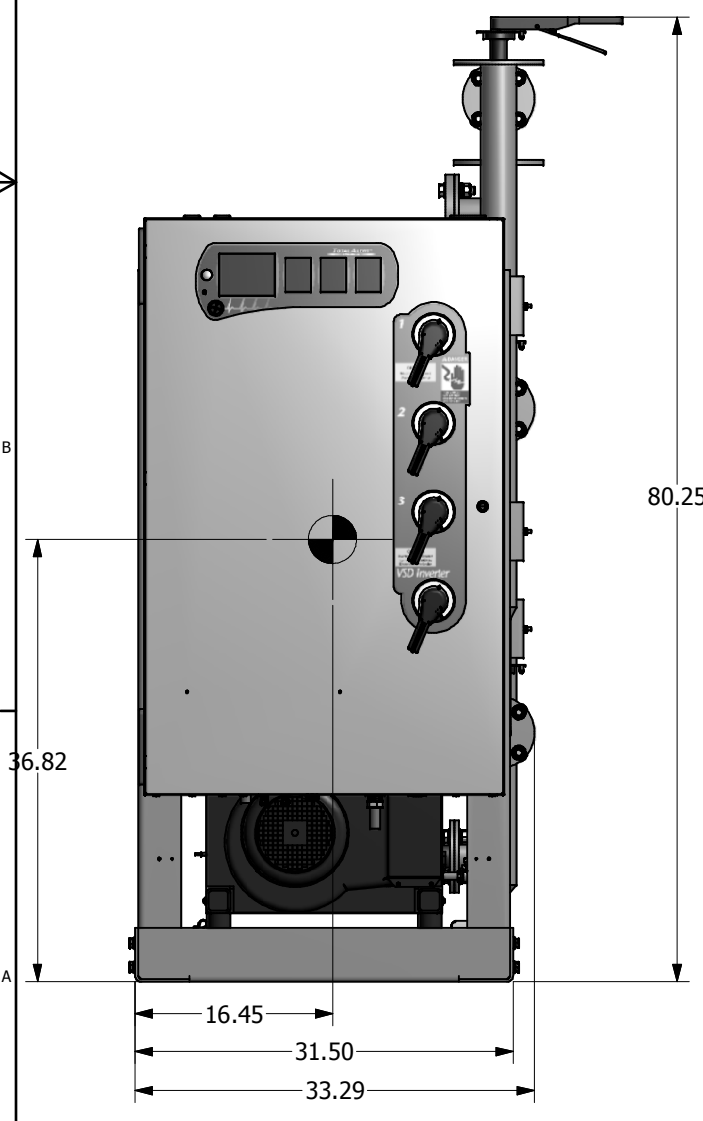


- Notes:
- DISCHARGE MUFFLER WILL BE SHIPPED LOOSE.
  - PUMP MODULE WEIGHT: 2,643 LBS (INCLUDES FUTURE EXPANSION PUMP).  
200G TANK WEIGHT: 638 LBS.
  - ⊠ INDICATES LIFTING POINTS
  - DENOTES CENTER OF GRAVITY (INCLUDES FUTURE EXPANSION PUMP).

SYSTEM CONNECTIONS	
ID	DESCRIPTION
I	INLET CONNECTION
C	DISCHARGE CONNECTION
D	CONDENSATE DRAIN CONNECTION
T	TANK DRAIN



200 GAL VACUUM RECEIVER  
3" FLANGED CONNECTIONS  
(SCALE 1:10)



INTAKE FILTER  
ONE PER PUMP

Revised:	Date:	Drawn:	Date:
		bm	5/12/2010
		This drawing and the information contained therein remain the property of BeaconMedes and may not be used for other than the purpose for which it is loaned without the expressed written permission from BeaconMedes Engineering.	
Description: GENERAL ASSEMBLY 7.5HP DX-X-TX CLAW VSD VAC MOD 200G RECEIVER STANDARD AND O2 ASSURED		Part Number: 4107 8515 49	Scale: 1:8 <b>D</b>
DN: USN100352		Rev: 00	DO NOT SCALE THIS DOCUMENT
Sheet 1 of 1		1	