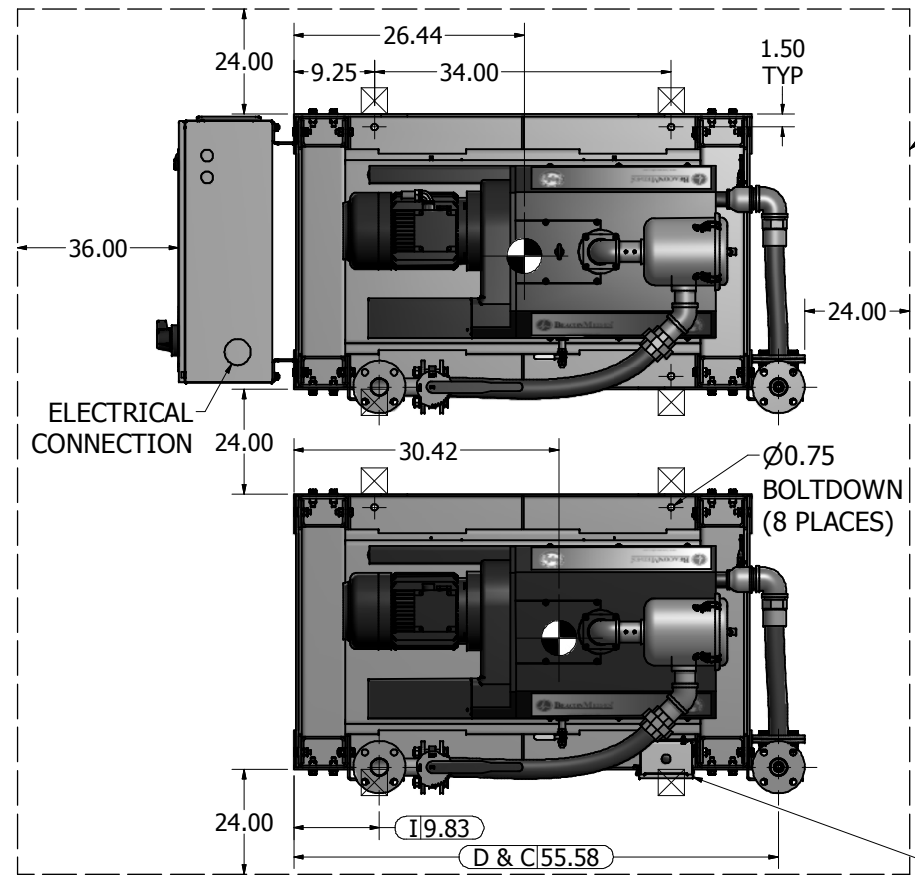


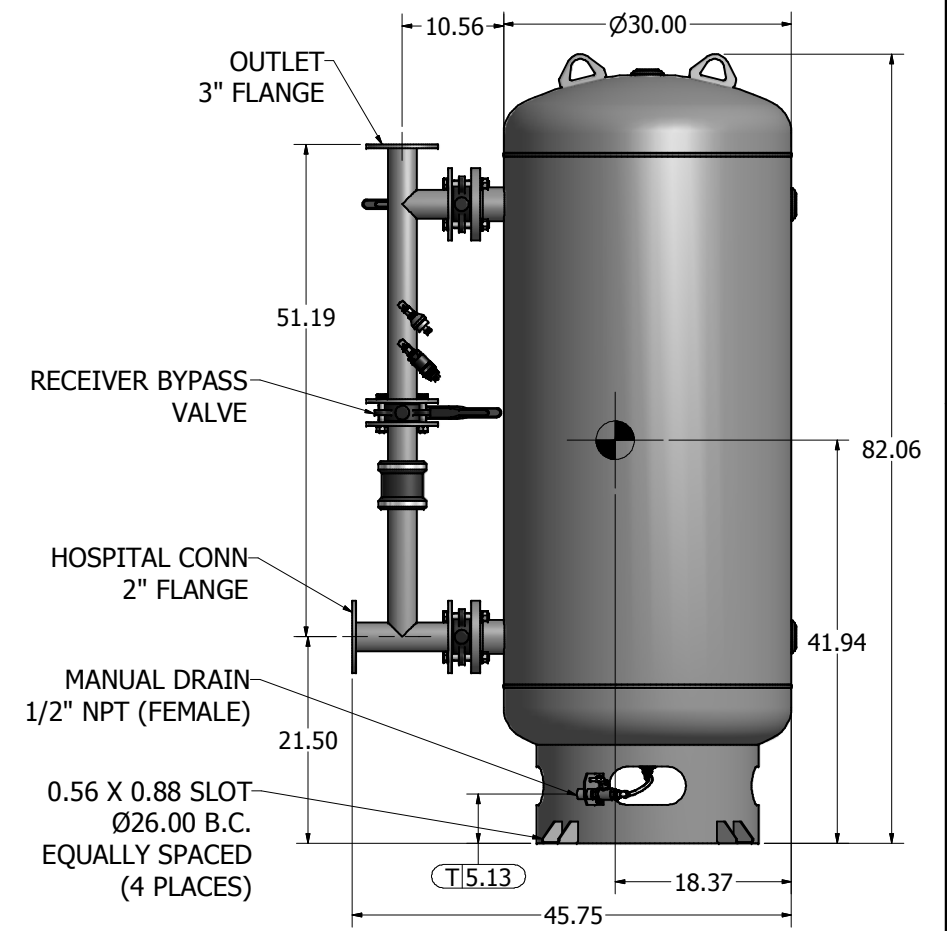
This drawing and the information contained thereon remain the property of BeaconMedes and may not be used for other than the purpose for which it is loaned without the expressed written permission from BeaconMedes Engineering.

- Notes:
- DISCHARGE MUFFLERS WILL BE SHIPPED LOOSE.
 - DX MODULE W/ PANEL WEIGHT: 1,897 LBS
DX MODULE WEIGHT: 1,690 LBS
200G TANK WEIGHT: 638 LBS
 - ⊠ INDICATES LIFTING POINT.
 - DENOTES CENTER OF GRAVITY.

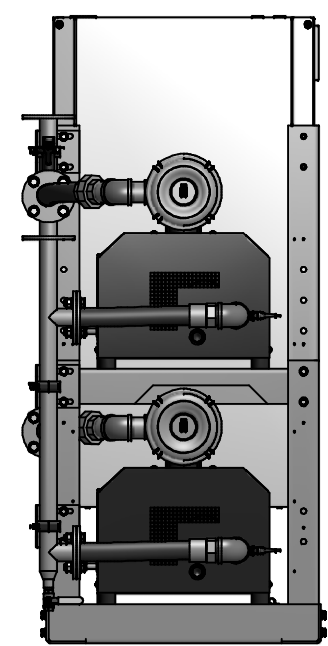
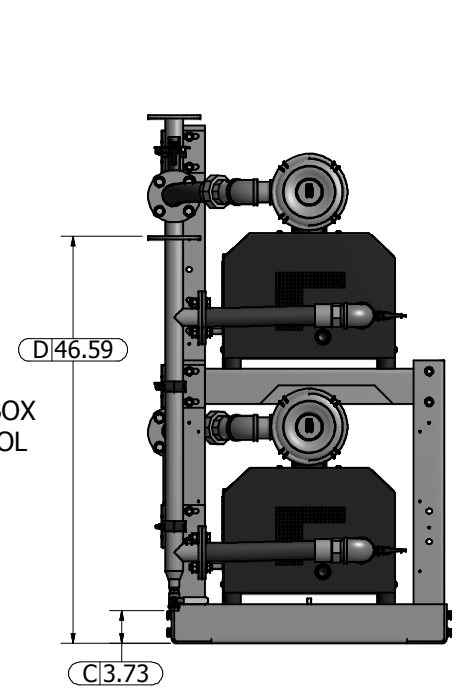
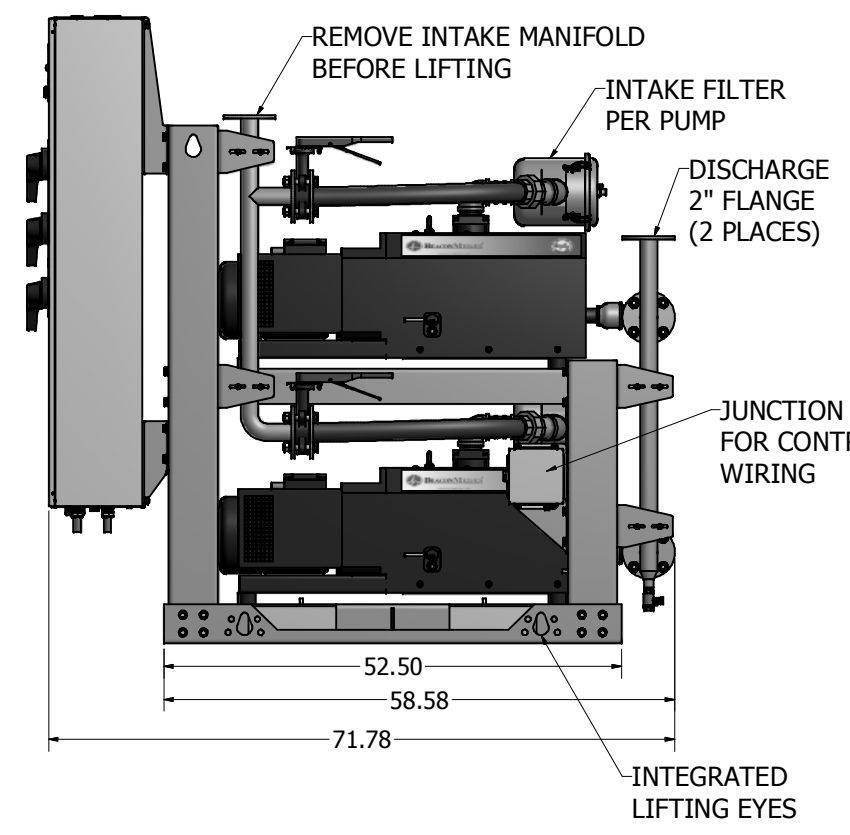
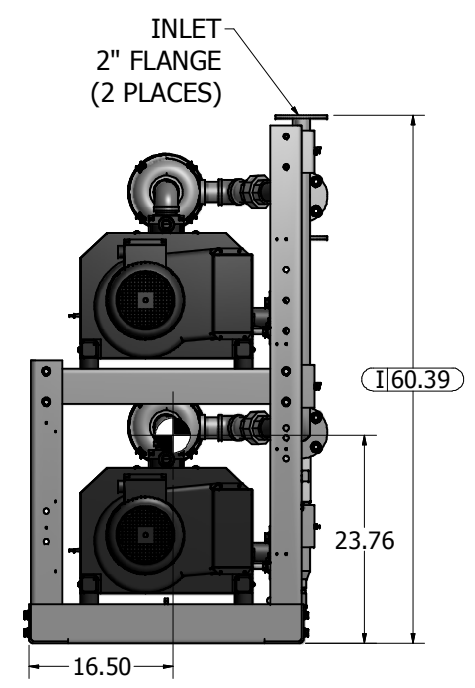
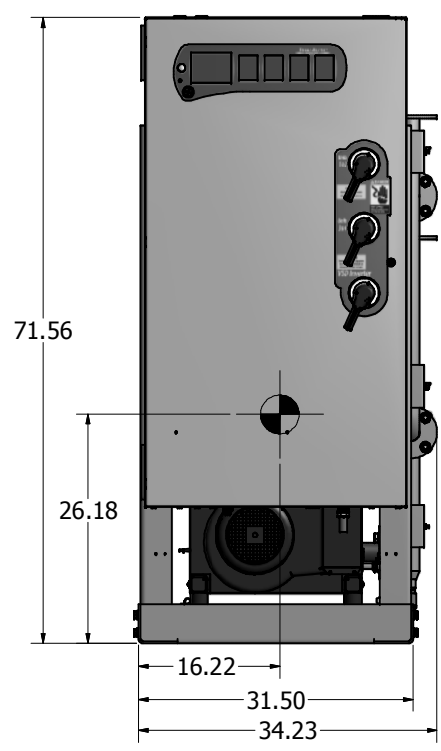
ID	DESCRIPTION
I	INLET LOCATION
D	DISCHARGE LOCATION
C	CONDENSATE DRAIN LOCATION
T	TANK DRAIN LOCATION



MINIMUM CLEARANCE FOR MAINTENANCE & VENTILATION



200 GAL VACUUM RECEIVER
3" FLANGED CONNECTIONS
(SCALE 1:10)



INSPECTION CHECKLIST
UNLESS OTHERWISE SPECIFIED:
◇ ○
ALL ITEMS MARKED BY ONE OF THE ABOVE SYMBOLS ARE TO BE INSPECTED
EQUIPMENT TO BE USED DURING RECEIVING INSPECTION SHALL BE PER QUALITY SYSTEM PROCEDURES

Revised:	Date:	Drawn: MDB	Date: 1/11/2010
UNLESS OTHERWISE SPECIFIED ALL DIMENSIONS ARE IN INCHES AND TOLERANCES ARE: XXX ± 0.2 XXX ± 0.05		Scale: 1/11	
Description: GENERAL ASSEMBLY 8.7HP QX CLAW VSD VAC MOD 200G RECEIVER STANDARD AND O2 ASSURED		Part Number: 4107 8514 32	Rev: 00
Sheet 1 of 1		DO NOT SCALE THIS DOCUMENT	