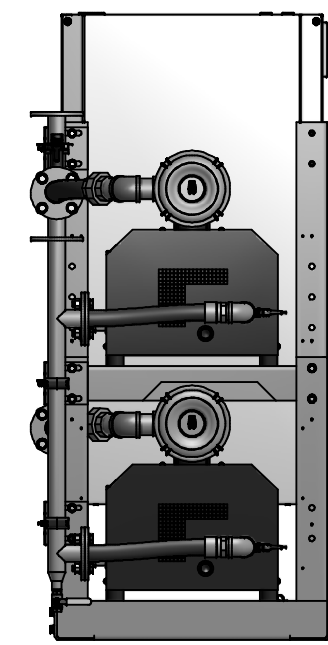
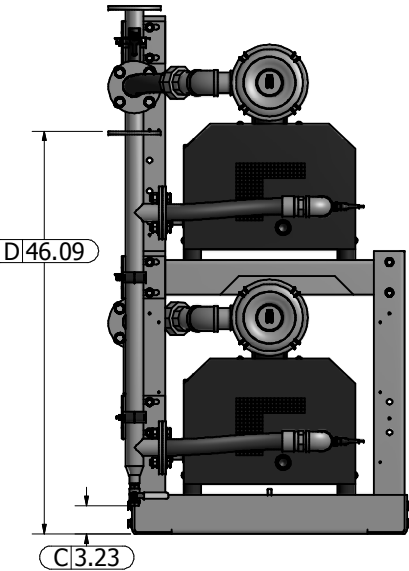
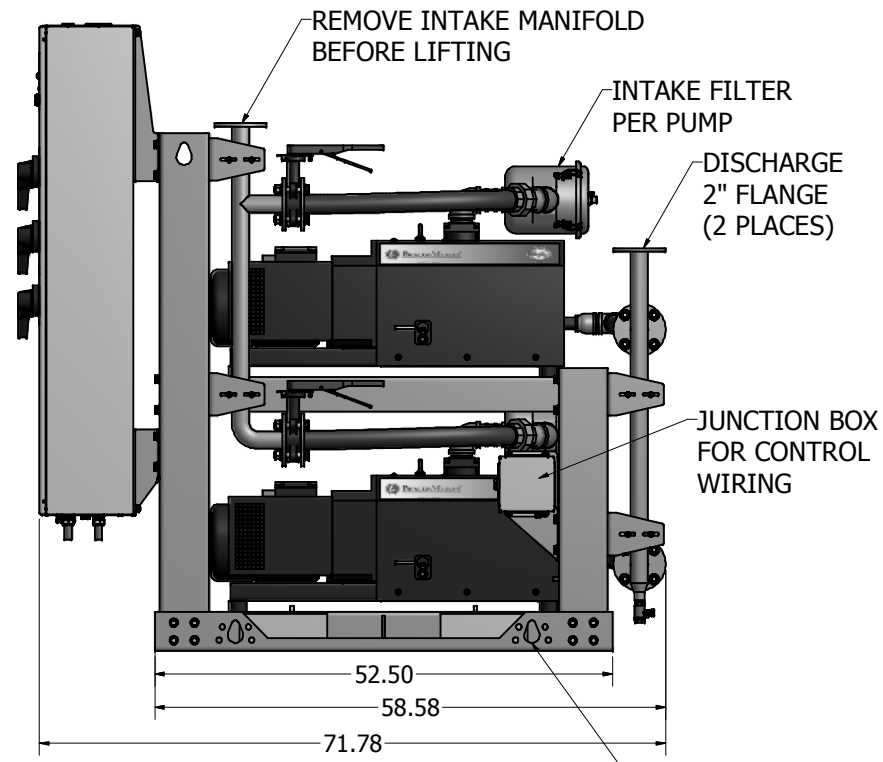
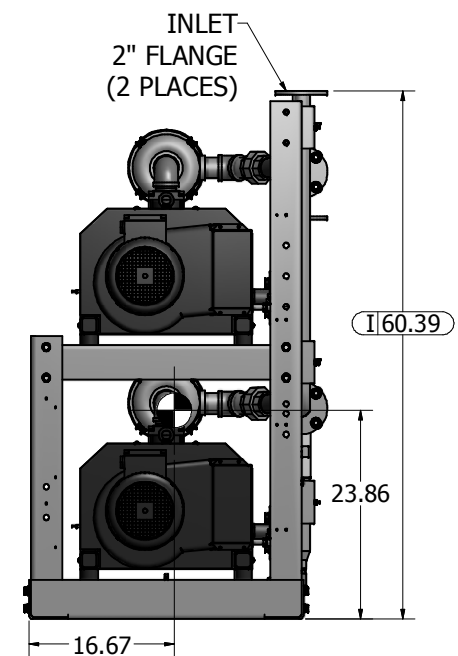
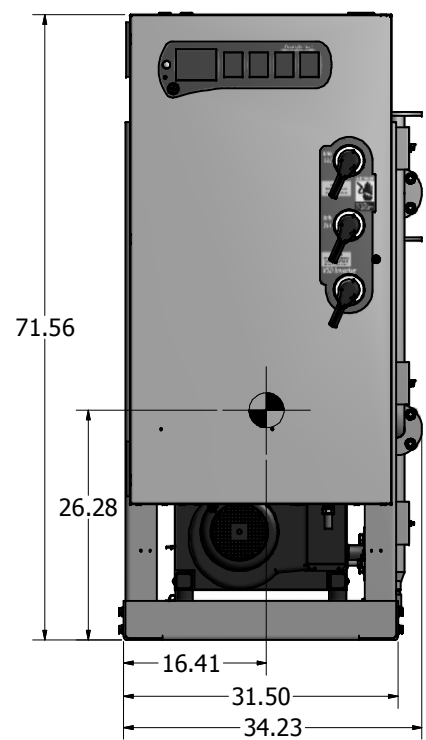
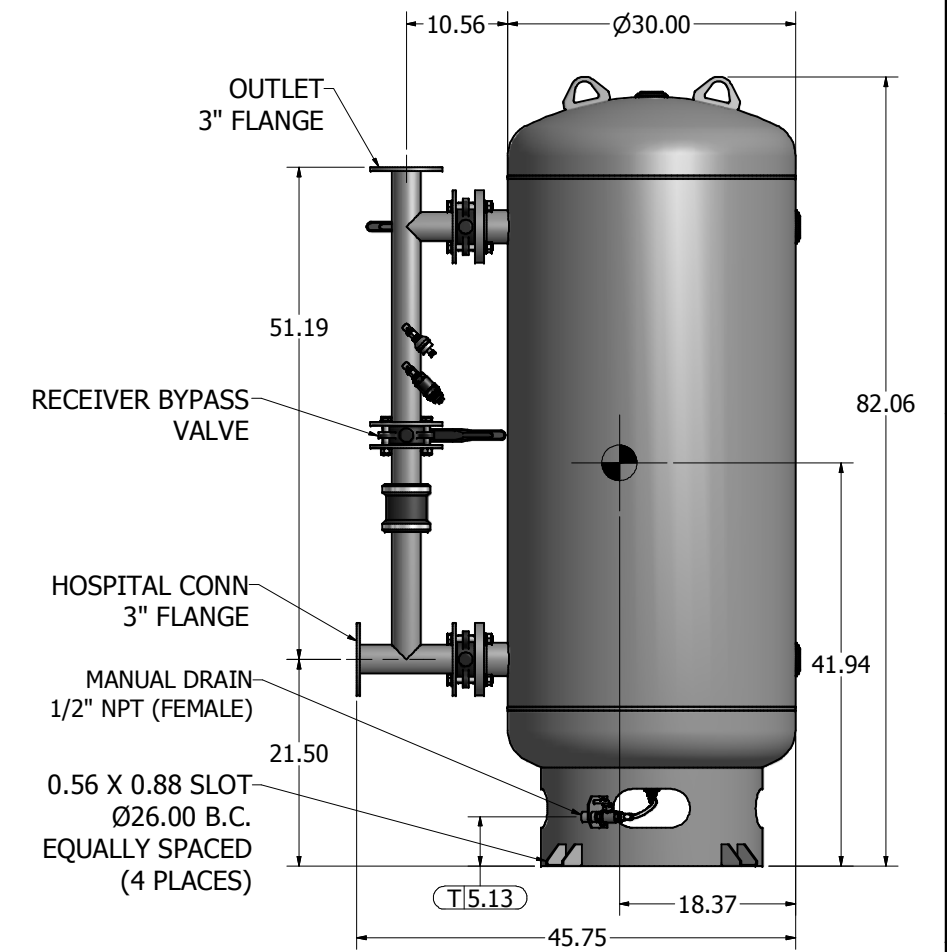
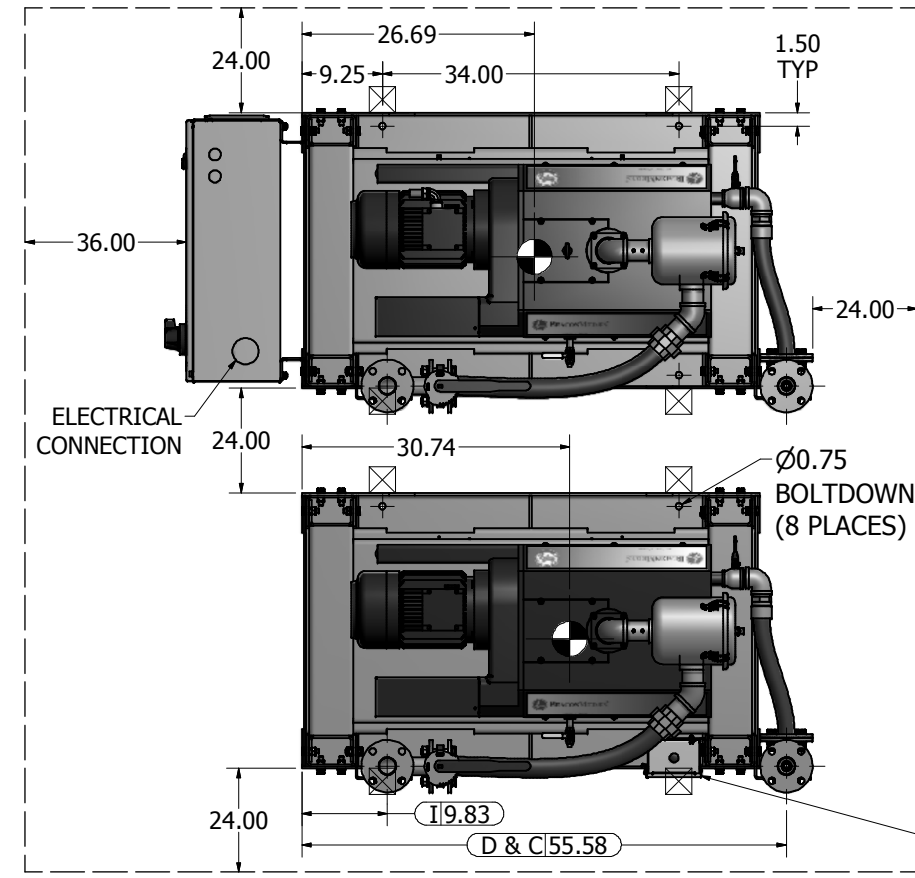


This drawing and the information contained thereon remain the property of BeaconMedics and may not be used for other than the purpose for which it is loaned without the expressed written permission from BeaconMedics Engineering.

Notes:

- DISCHARGE MUFFLERS WILL BE SHIPPED LOOSE.
- DX MODULE W/ PANEL WEIGHT: 1,877 LBS
DX MODULE WEIGHT: 1,671 LBS
200G TANK WEIGHT: 638 LBS
- ⊠ INDICATES LIFTING POINT.
- DENOTES CENTER OF GRAVITY.

SYSTEM CONNECTIONS	
ID	DESCRIPTION
I	INLET LOCATION
D	DISCHARGE LOCATION
C	CONDENSATE DRAIN LOCATION
T	TANK DRAIN LOCATION



INSPECTION CHECKLIST UNLESS OTHERWISE SPECIFIED: ◊ ○ ALL ITEMS MARKED BY ONE OF THE ABOVE SYMBOLS ARE TO BE INSPECTED EQUIPMENT TO BE USED DURING RECEIVING INSPECTION SHALL BE PER QUALITY SYSTEM PROCEDURES	Revised: _____ Date: _____ Drawn: MDB Date: 4/15/2010
	UNLESS OTHERWISE SPECIFIED ALL DIMENSIONS ARE IN INCHES AND TOLERANCES ARE: XXX ±.02 XXX ±.015 ANGLES ±.5
	BEACONMEDICS Description: GENERAL ASSEMBLY 7.5HP QX CLAW VSD VAC MOD 200G RECEIVER STANDARD AND O2 ASSURED Part Number: 4107 8514 30 DN: USN100301 Rev: 00 Sheet 1 of 1 DO NOT SCALE THIS DOCUMENT