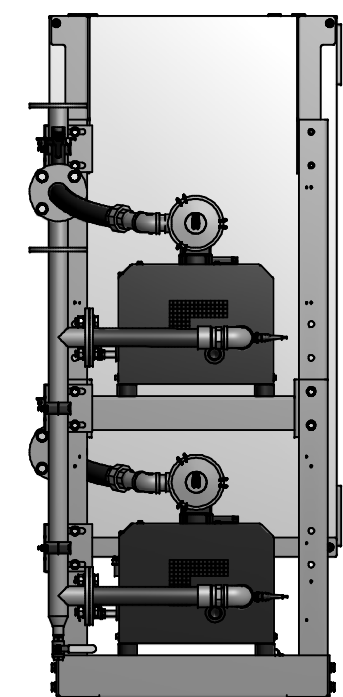
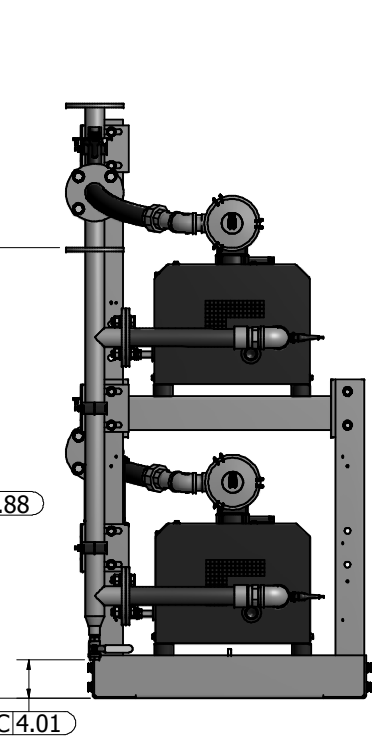
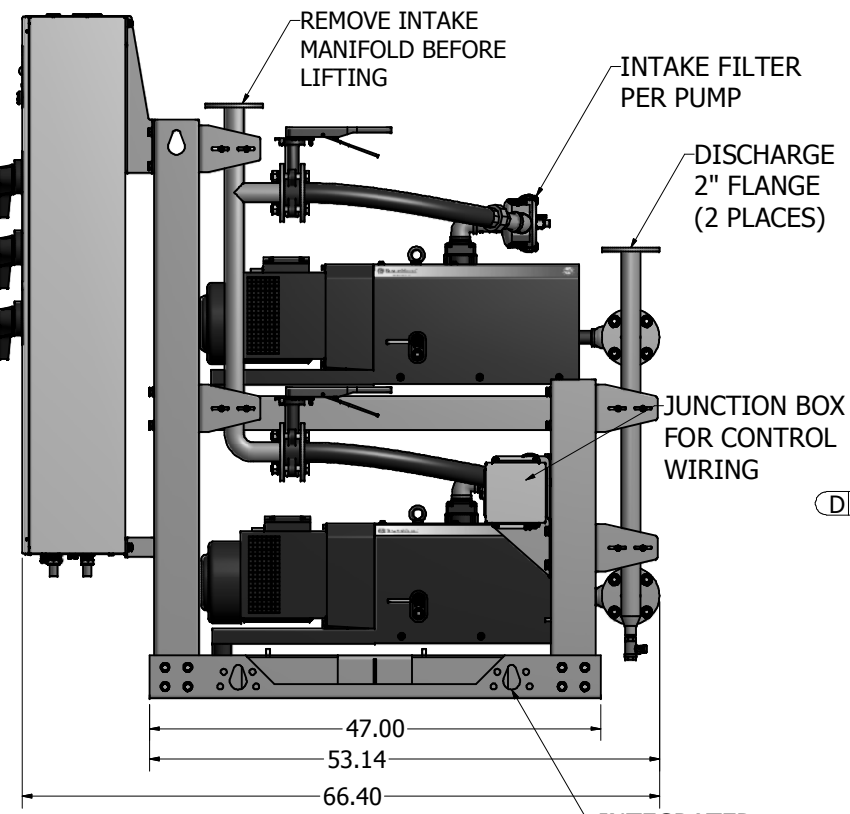
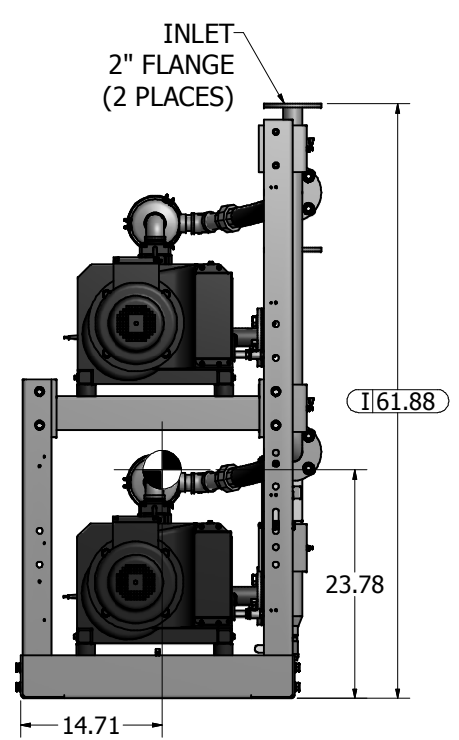
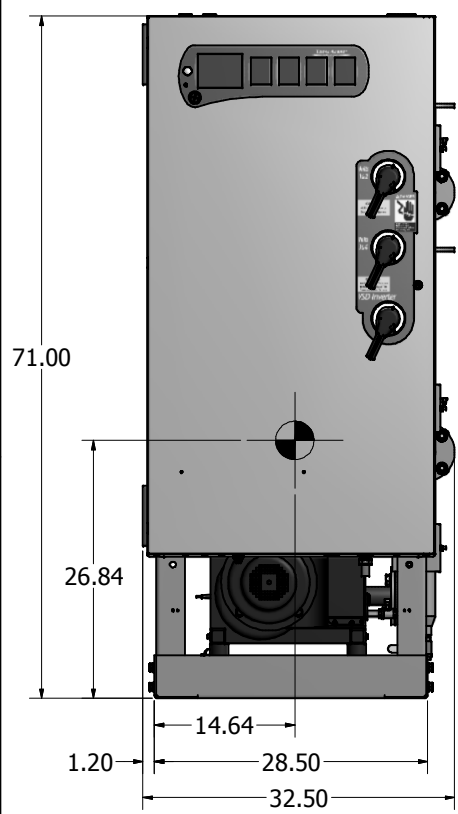
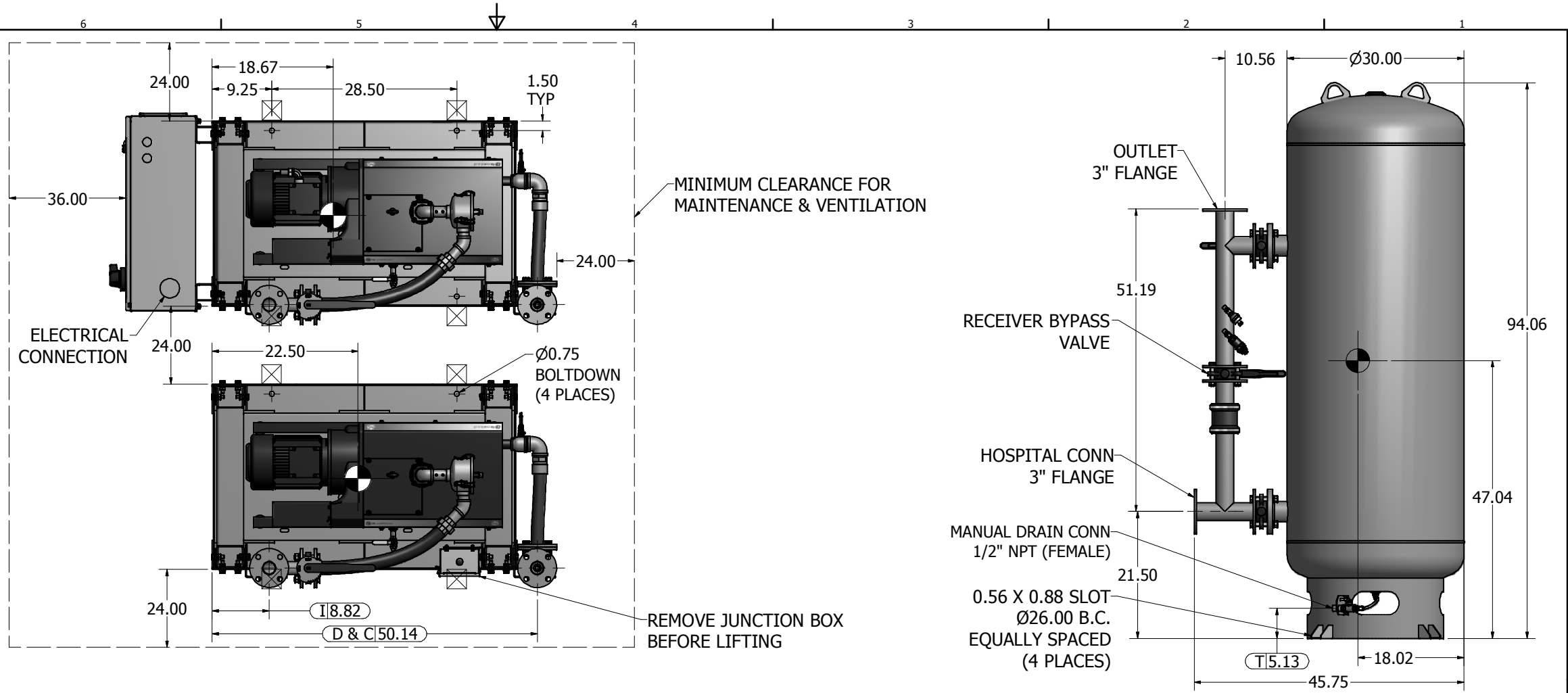


Notes:

- DISCHARGE MUFFLERS WILL BE SHIPPED LOOSE.
- DX MODULE W/ PANEL WEIGHT: 1,464 LBS
DX MODULE WEIGHT: 1,252 LBS
240G TANK WEIGHT: 713 LBS
- ☒ INDICATES LIFTING POINT.
- DENOTES CENTER OF GRAVITY.

| SYSTEM CONNECTIONS | |
|--------------------|---------------------------|
| ID | DESCRIPTION |
| I | INLET LOCATION |
| D | DISCHARGE LOCATION |
| C | CONDENSATE DRAIN LOCATION |
| T | TANK DRAIN LOCATION |



240 GAL VACUUM RECEIVER
3" FLANGED CONNECTIONS
(SCALE 1:11)

| | | | |
|--|-------|--|-----------------|
| Revised: | Date: | Drawn: MDB | Date: 4/15/2010 |
| | | This drawing and the information contained therein remain the property of BeaconMedes and may not be used for other than the purpose for which it is loaned without the expressed written permission from BeaconMedes Engineering. | |
| Description: GENERAL ASSEMBLY 5.4HP QX CLAW VSD VAC MOD 240G RECEIVER STANDARD AND O2 ASSURED | | Part Number: 4107 8514 27 Rev: USN100301 00 | |
| Sheet 1 of 1 | | DO NOT SCALE THIS DOCUMENT | |