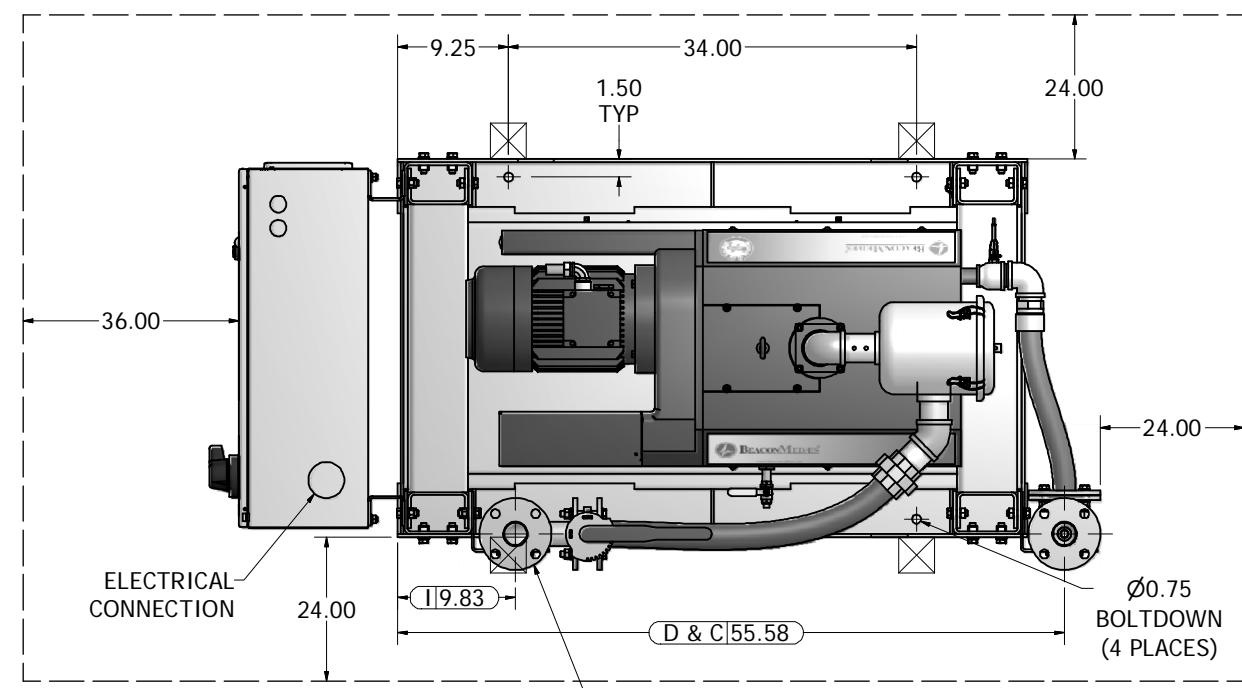


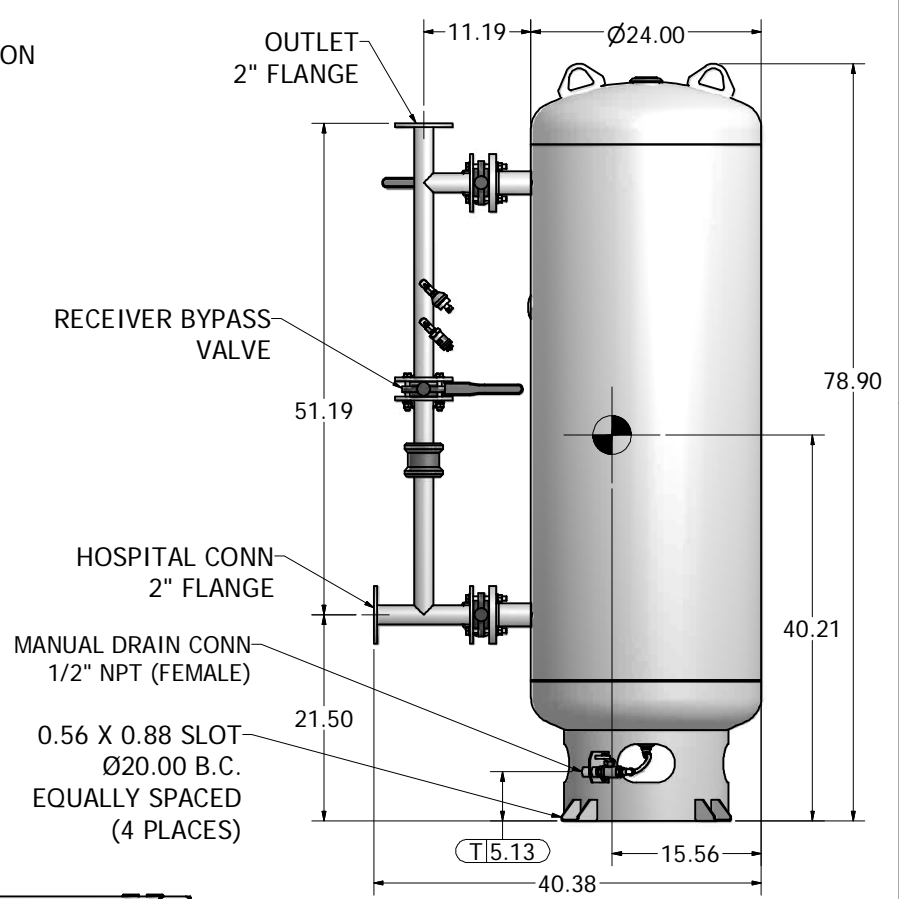
This drawing and the information contained thereon remain the property of BeaconMedics and may not be used for other than the purpose for which it is loaned without the expressed written permission from BeaconMedics Engineering.

- Notes:
- DISCHARGE MUFFLER WILL BE SHIPPED LOOSE.
 - DX MODULE WEIGHT: 1,819 LBS
120G TANK WEIGHT: 393 LBS
 - ⊠ INDICATES LIFTING POINT.
 - DENOTES CENTER OF GRAVITY.

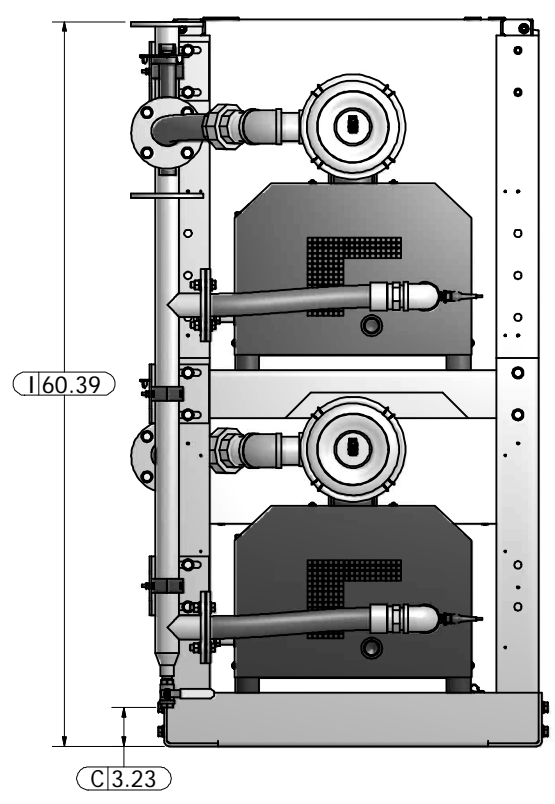
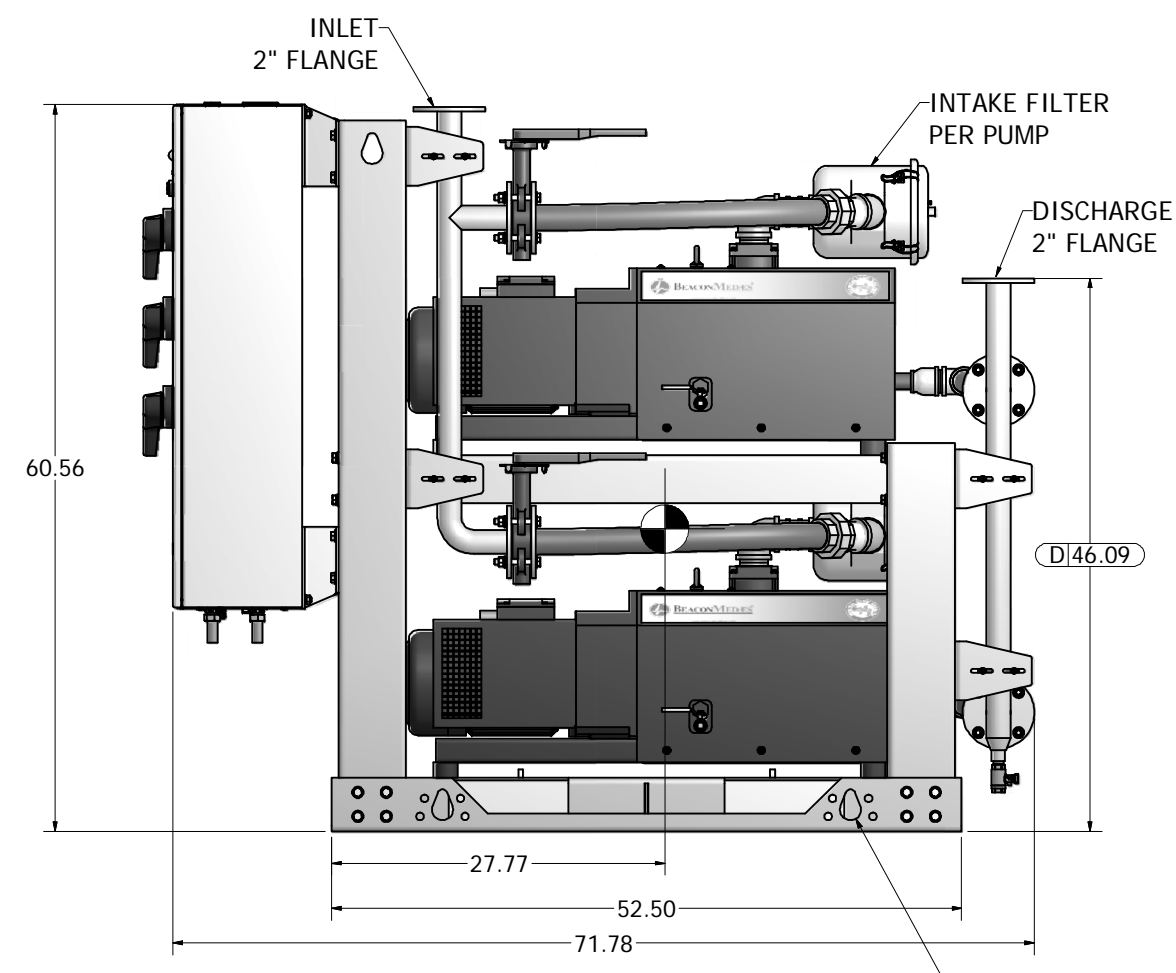
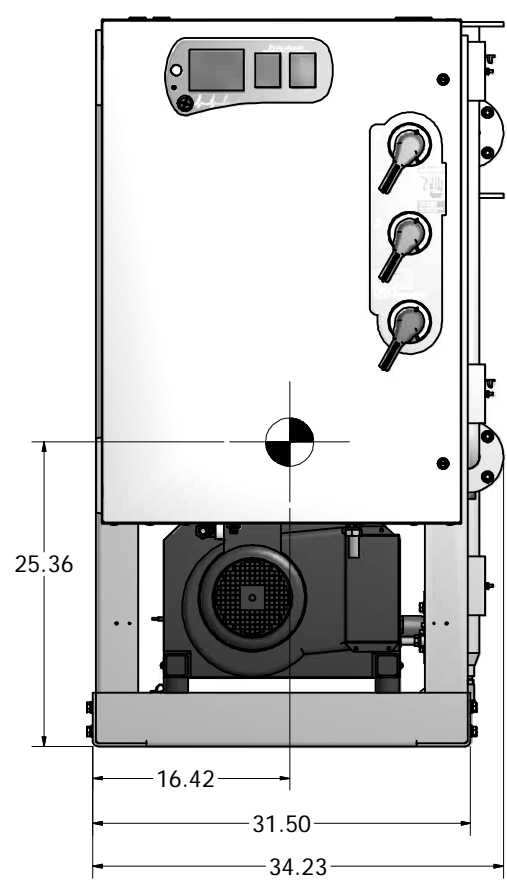
ID	DESCRIPTION
I	INLET LOCATION
D	DISCHARGE LOCATION
C	CONDENSATE DRAIN LOCATION
T	TANK DRAIN LOCATION



MINIMUM CLEARANCE FOR MAINTENANCE & VENTILATION



120 GAL VACUUM RECEIVER
2" FLANGED CONNECTIONS
(SCALE 1:10)



Revised:	Date:	Drawn: JDY	Date: 1/11/2010
UNLESS OTHERWISE SPECIFIED ALL DIMENSIONS ARE IN INCHES AND TOLERANCES ARE:		Scale: 1/8	
XXX ± .02		XXX ± .010	
XXX ± .005		ANGLES ± .5°	
Description: GENERAL ASSEMBLY 7.5HP DX CLAW VSD VAC MOD 120G RECEIVER STANDARD AND O2 ASSURED		Part Number: 4107 8514 02	
DN: USN100301		Rev: 00	
Sheet 1 of 1		DO NOT SCALE THIS DOCUMENT	