

Notes:

1. THE AMPACITY OF CONDUCTORS SUPPLYING THE CONTROL PANEL TO BE ROUNDED UP TO THE NEXT SIZE LARGER STANDARD WIRE GAUGE.
2. MOP VALUES TO BE ROUNDED DOWN TO THE NEAREST STANDARD RATING OF THE OVERCURRENT PROTECTION DEVICE.
3. SHORT CIRCUIT CURRENT RATING (SCCR): 5 kA

AUTO OPERATION:

DURING NORMAL OPERATION THE MASTER PCB WILL SIGNAL THE LEAD VACUUM PUMP TO START WHEN THE VACUUM FALLS BELOW THE SET-POINT. IF ONE PUMP CAN CARRY THE LOAD, THEN THE VACUUM WILL RISE TO THE SET-POINT. THE PUMP PCB WILL THEN TURN OFF THE LEAD VACUUM PUMP WHEN ITS RUN TIMER EXPIRES. WHEN THE SYSTEM VACUUM FALLS AGAIN, THE MASTER PCB WILL SEQUENCE THE LEAD ROLE TO THE NEXT PUMP PCB AND IT WILL START. IF DURING OPERATION THE SYSTEM VACUUM FALLS BELOW 15"Hg, THE LAG PUMP WILL START AND A LAG ALARM WILL OCCUR.

PUMP PCB S1 POSITION:

POSITION (A) – AUTO (DEFAULT):

THE PUMP WILL OPERATE NORMALLY AS DESCRIBED ABOVE IN "AUTO OPERATION".

POSITION (X) – OFF:

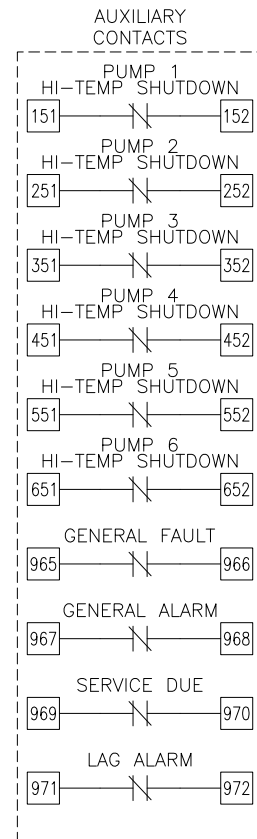
THE PUMP IS DISABLED FROM RUNNING.

POSITION (O) – MANUAL:

THE PUMP WILL RUN CONTINUOUSLY.

PCB FAULT:

IF A PUMP PCB ETHERNET FAULT OR A TRANSDUCER FAULT OCCURS, THE PUMP PCB WILL AUTOMATICALLY SWITCH TO EMERGENCY MANUAL MODE. VACUUM PUMPS WILL START WHEN BVS-1 (BACKUP VACUUM SWITCH) CLOSSES AND STOP WHEN BVS-1 OPENS AND THE RUN TIMER EXPIRES.



NOTE:
AUXILIARY CONTACTS
151-152, 251-252,
351-352, 451-452,
551-552, 651-652, &
965-972 ARE "CLASS 1
CONTROL CIRCUITS. USE
CLASS 1 CONDUCTORS."

AUX CONTACTS ARE RATED
0.7A_{dc}/0.7A_{rms} @ 24V
MAX. UNLESS OTHERWISE
NOTED.

AUX CONTACTS CLOSED
DURING NORMAL
OPERATION.

MINIMUM CIRCUIT AMPACITY (MCA)

SYSTEM HP	208 V	230 V	380/400 V	460 V
15 HP	294.0 AMPS	267.2 AMPS	172.5 AMPS	134.3 AMPS

MAXIMUM OVERCURRENT PROTECTION (MOP)

SYSTEM HP	208 V	230 V	380/400 V	460 V
15 HP	335.0 AMPS	304.5 AMPS	195.8 AMPS	152.3 AMPS

INDIVIDUAL OPERATING FULL LOAD AMPERES

SYSTEM HP	208 V	230 V	380V/50Hz	460 V
15 HP	40.5 AMPS	35.0 AMPS	14.5 AMPS	17.5 AMPS

INDIVIDUAL MOTOR NAMEPLATE FULL LOAD AMPERES

SYSTEM HP	208 V	230 V	460 V	S.F.	380V/50Hz	S.F.
15 HP	40.5 AMPS	35.0 AMPS	17.5 AMPS	1.15	14.5 AMPS	1.15

HEXAPLEX SYSTEM FULL LOAD AMPERES

SYSTEM HP	208 V	230 V	380V/50Hz	460 V
15 HP	247.2 AMPS	213.8 AMPS	90.0 AMPS	107.5 AMPS

FUSE SELECTION CHART (MAX FUSE SIZES SHOWN)

FUSES	208 V	230 V	380 V	460 V
F1/F2/F4/F5/F7/ F8/F10/F11/F13/ F14/F16/F17	6.0 AMPS	6.0 AMPS	6.0 AMPS	6.0 AMPS
F3/F6/F9/F12/ F15/F18	---	---	6.0 AMPS	6.0 AMPS
F21-F26	2.5 AMPS	2.5 AMPS	2.5 AMPS	2.5 AMPS
F33	1.0 AMP	1.0 AMP	1.0 AMP	1.0 AMP
F34	0.4 AMP	0.4 AMP	0.4 AMP	0.4 AMP
F35	0.5 AMP	0.5 AMP	0.5 AMP	0.5 AMP

F1-F18 ARE LITTELFUSE KLDL 600V TYPE
F21-F26/F33-F35 ARE LITTELFUSE 2AG 250V TYPE

OVERLOAD SETTINGS

SYSTEM HP	208 V	230 V	380V/50Hz	460 V
15 HP	44.6 AMPS	38.5 AMPS	16.0 AMPS	19.3 AMPS

DEFAULT VACUUM SETPOINT ("HgV)

ALTITUDE		O2 ASSURED
0-1000'	20	18
1001-2000'	19	17
2001-3000'	18	16
3001-4000'	17	16
>4000'	CONSULT FACTORY	

RELIEF VALVE SETTINGS ("HgV)

ALTITUDE		O2 ASSURED PUMPS
0-1000'	23	20
1001-2000'	22	19
2001-3000'	21	18
3001-4000'	20	18
>4000'	CONSULT FACTORY	

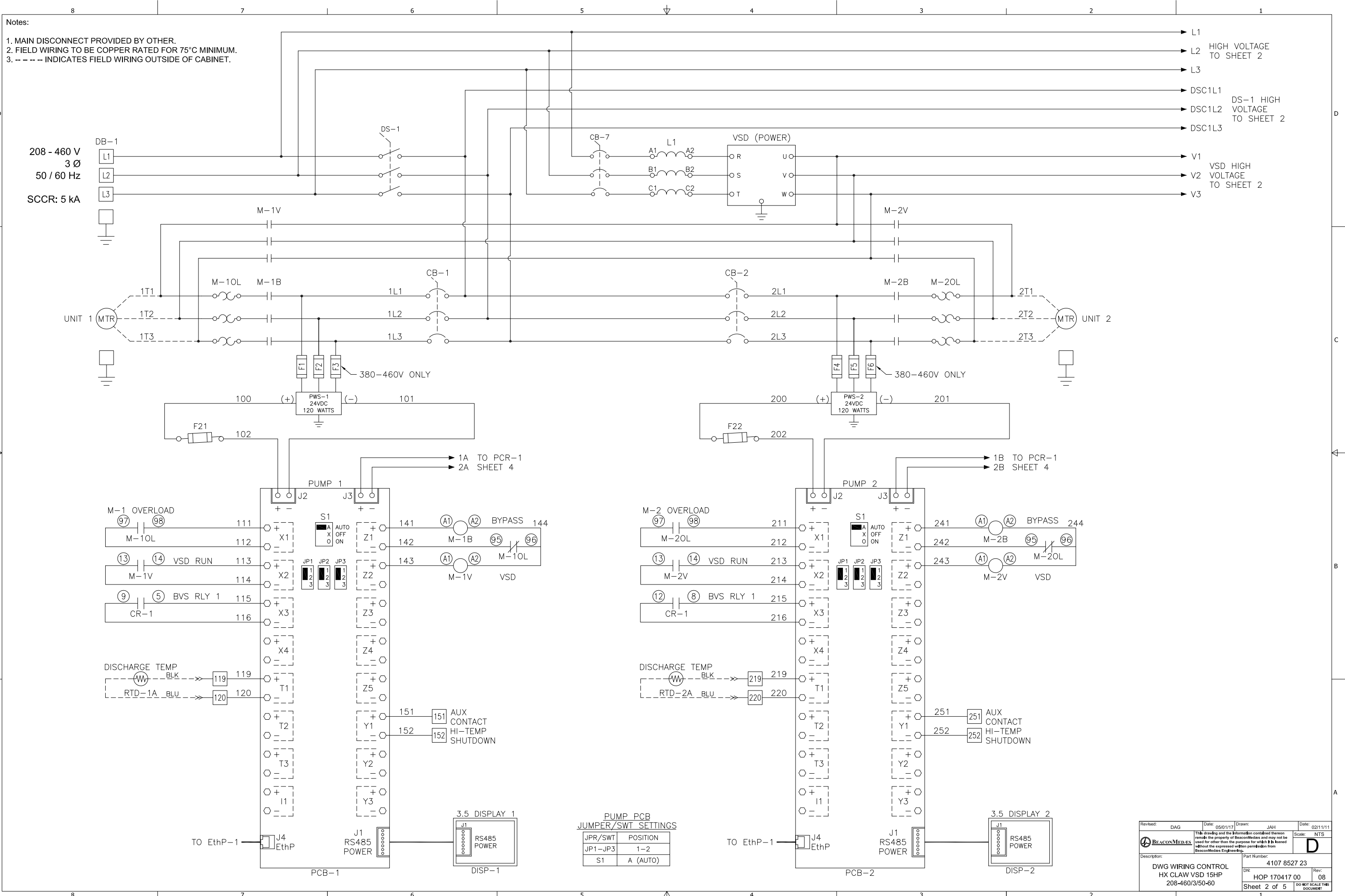
BACKUP VACUUM SWITCH ("HgV)

BVS-1	CUT-ON		O2A
		15	14

Revised: DAG	Date: 05/01/17	Drawn: JAH	Date: 02/11/11
		This drawing and the information contained thereon remain the property of BeaconMedics and may not be used for other than the purpose for which it is loaned without the expressed written permission from BeaconMedics Engineering.	
Description: DWG WIRING CONTROL HX CLAW VSD 15HP 208-460/3/50-60		Part Number: 4107 8527 23	
DN: HOP 170417 00	Rev: 08	Sheet 1 of 5	

Notes:

1. MAIN DISCONNECT PROVIDED BY OTHER.
2. FIELD WIRING TO BE COPPER RATED FOR 75°C MINIMUM.
3. - - - - - INDICATES FIELD WIRING OUTSIDE OF CABINET.



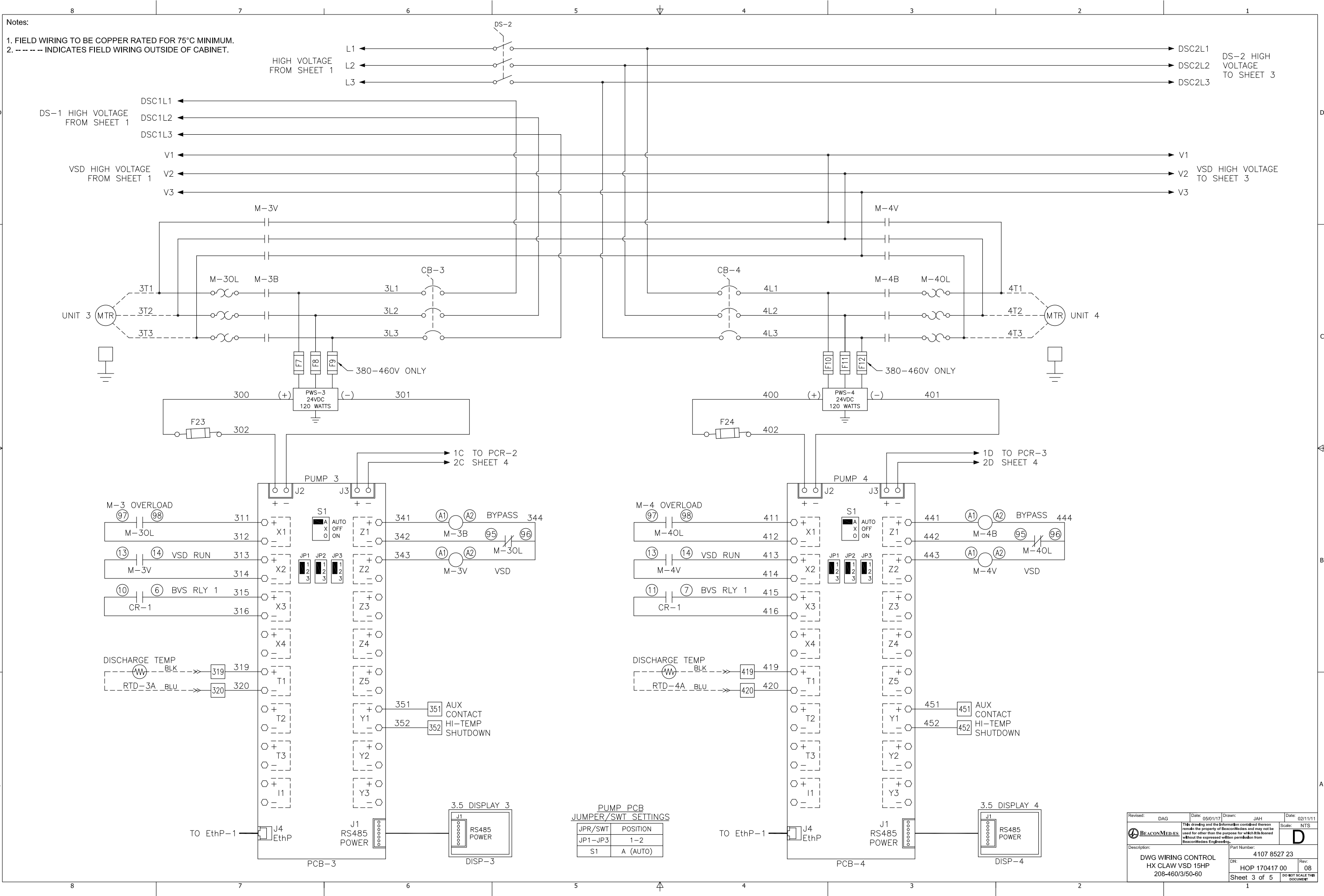
PUMP PCB JUMPER/SWT SETTINGS

JPR/SWT	POSITION
JP1-JP3	1-2
S1	A (AUTO)

Revised: DAG	Date: 05/01/17	Drawn: JAH	Date: 02/11/11
		This drawing and the information contained therein remain the property of BeaconMedics and may not be used for other than the purpose for which it is loaned without the expressed written permission from BeaconMedics Engineering.	
Description: DWG WIRING CONTROL HX CLAW VSD 15HP 208-460/3/50-60		Part Number: 4107 8527 23	
DN: HOP 170417 00		Rev: 08	
Sheet 2 of 5		DO NOT SCALE THIS DOCUMENT	

Notes:

1. FIELD WIRING TO BE COPPER RATED FOR 75°C MINIMUM.
2. - - - - - INDICATES FIELD WIRING OUTSIDE OF CABINET.



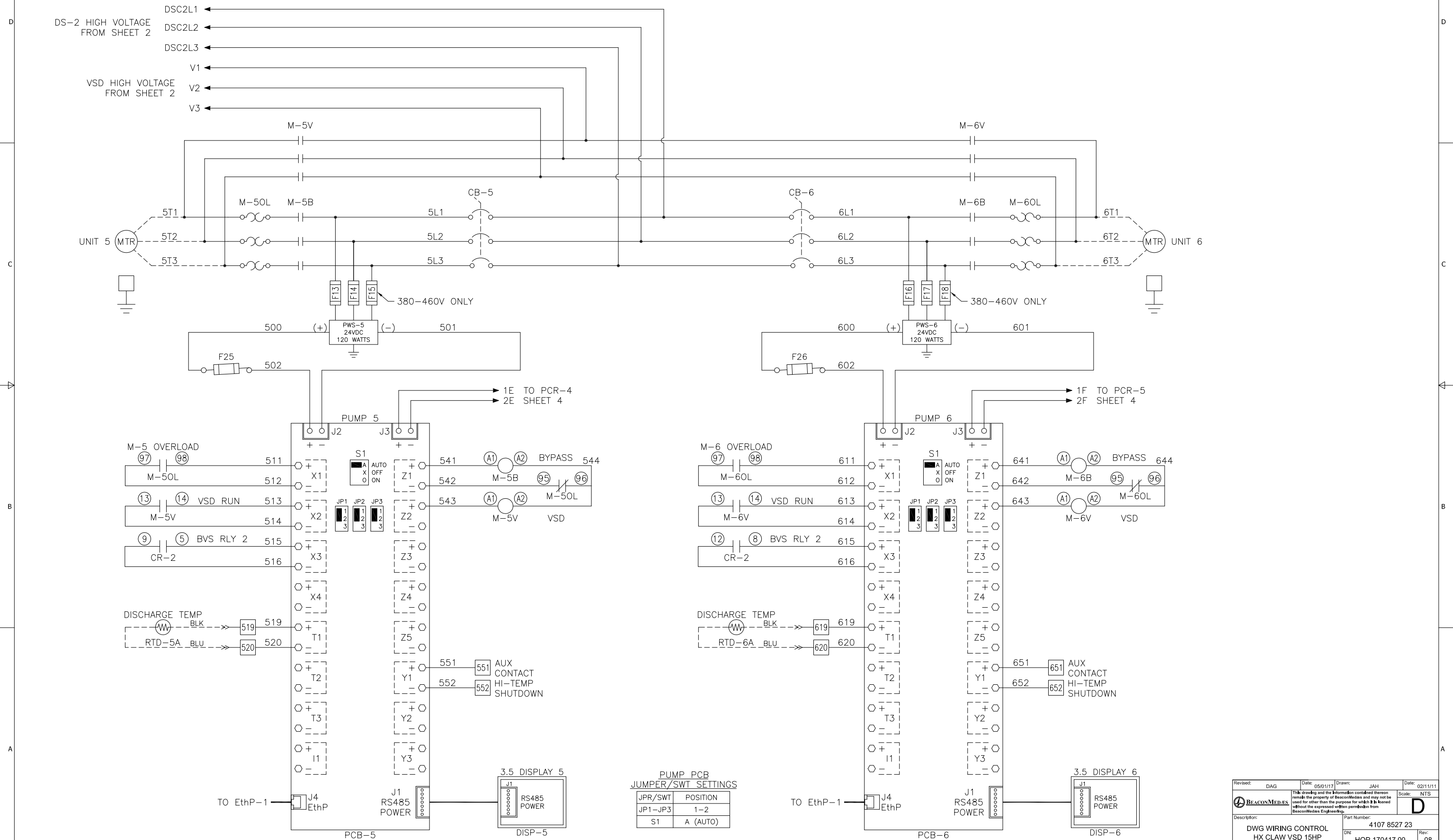
PUMP PCB JUMPER/SWT SETTINGS

JPR/SWT	POSITION
JP1-JP3	1-2
S1	A (AUTO)

Revised: DAG	Date: 05/01/17	Drawn: JAH	Date: 02/11/11
		This drawing and the information contained therein remain the property of BeaconMedics and may not be used for other than the purpose for which it is loaned without the expressed written permission from BeaconMedics Engineering.	
Description: DWG WIRING CONTROL HX CLAW VSD 15HP 208-460/3/50-60		Part Number: 4107 8527 23	
DN: HOP 170417 00		Rev: 08	
Sheet 3 of 5		DO NOT SCALE THIS DOCUMENT	

Notes:

1. FIELD WIRING TO BE COPPER RATED FOR 75°C MINIMUM.
2. - - - - INDICATES FIELD WIRING OUTSIDE OF CABINET.



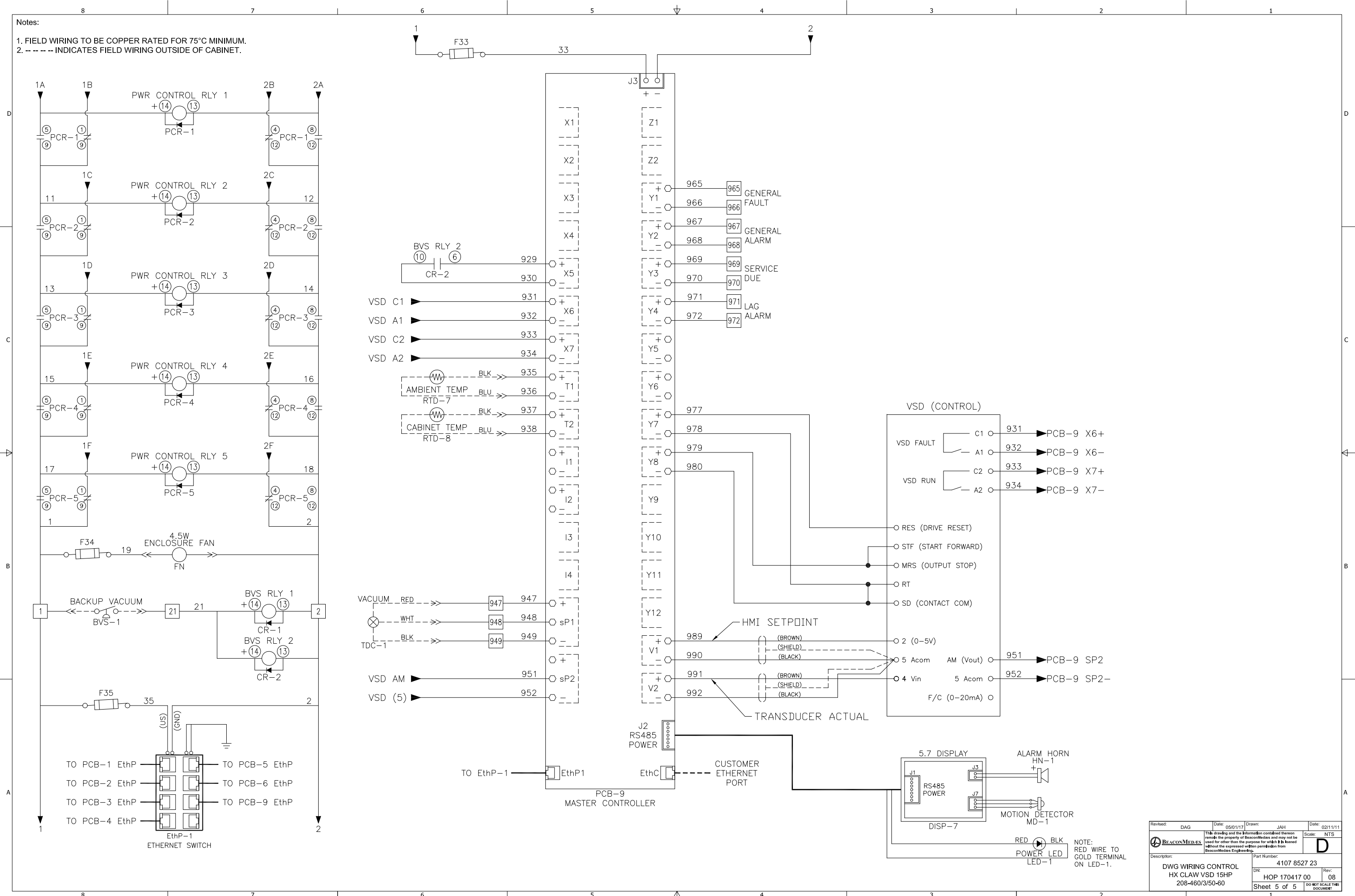
PUMP PCB JUMPER/SWT SETTINGS

JPR/SWT	POSITION
JP1-JP3	1-2
S1	A (AUTO)

Revised: DAG	Date: 05/01/17	Drawn: JAH	Date: 02/11/11
		This drawing and the information contained therein remain the property of BeaconMedics and may not be used for other than the purpose for which it is loaned without the expressed written permission from BeaconMedics Engineering.	
Description: DWG WIRING CONTROL HX CLAW VSD 15HP 208-460/3/50-60		Part Number: 4107 8527 23	
DN: HOP 170417 00		Rev: 08	
Sheet 4 of 5		DO NOT SCALE THIS DOCUMENT	

Notes:

- 1. FIELD WIRING TO BE COPPER RATED FOR 75°C MINIMUM.
- 2. - - - - - INDICATES FIELD WIRING OUTSIDE OF CABINET.



Revised: DAG	Date: 05/01/17	Drawn: JAH	Date: 02/11/11
		This drawing and the information contained therein remain the property of BeaconMedics and may not be used for other than the purpose for which it is loaned without the expressed written permission from BeaconMedics Engineering.	
Description: DWG WIRING CONTROL HX CLAW VSD 15HP 208-460/3/50-60		Part Number: 4107 8527 23	
DN: HOP 170417 00	Rev: 08	Scale: NTS	
Sheet 5 of 5		DO NOT SCALE THIS DOCUMENT	

NOTE: RED WIRE TO GOLD TERMINAL ON LED-1.