

NOTES:

1. ALL INTERCONNECTING PIPE AND FITTINGS SHALL BE INSTALLED BY THE CONTRACTOR.
2. ALL PIPING SHALL BE INSTALLED IN ACCORDANCE WITH NFPA 99, 2005 EDITION. PIPING LAYOUT IS DIAGRAMMATIC ONLY. FINAL ARRANGEMENT WILL BE SITE SPECIFIC. CONTRACTOR WILL BE RESPONSIBLE FOR FIELD VERIFICATION AND COORDINATING ACTUAL LOCATION WITH ALL OTHER TRADES.
3. CONTRACTOR SHALL VERIFY MOTOR VOLTAGE, PHASE AND AMP RATINGS BEFORE STARTING ELECTRICAL INSTALLATION; AND MAKE CERTAIN THE VOLTAGE SUPPLIED BY THE HOSPITAL IS THE SAME.
4. THE ROOM REQUIRES DEDICATED MECHANICAL VENTILATION WITH AN ALLOWABLE TEMPERATURE VARIANCE OF 40° TO 105°F. (FOR HIGHER AMBIENTS, CONSULT FACTORY)
5. ELECTRICAL POWER SHALL BE SUPPLIED FROM THE EQUIPMENT SYSTEM BRANCH OF THE ESSENTIAL ELECTRICAL SYSTEM (EMERGENCY POWER).
6. EQUIPMENT, INSTALLATION, AND TESTING OF THE MEDICAL VACUUM SYSTEM SHALL COMPLY WITH NFPA 99, 2005 EDITION, AND ALL STATE AND LOCAL CODES OR ORDINANCES.
7. WIRE LAG PUMP RUNNING ALARM REMOTE CONTACTS IN THIS CONTROL SYSTEM TO MASTER ALARM SYSTEM AS REQUIRED BY NFPA 99.
8. ALL ACCESSORIES, PIPE AND FITTINGS, EXCEPT DISCHARGE SILENCERS, BEYOND INLET AND DISCHARGE PORTS ARE SUPPLIED AND INSTALLED BY OTHERS.
9. WHEN DETERMINING THE TOTAL PIPE LENGTH, ADD ALL THE STRAIGHT LENGTHS OF PIPE TOGETHER IN ADDITION TO THE NUMBER OF ELBOWS TIMES THE EFFECTIVE PIPE LENGTH FOR THAT PIPE SIZE. (SEE EQUIVALENT PIPE LENGTH TABLE & EXAMPLE CALCULATION IN THE O&M MANUAL)
10. PUMP MODULE CONTROL WIRING IS LOW VOLTAGE WIRING (24Vdc). LOW VOLTAGE WIRING MUST BE ROUTED SEPARATELY FROM HIGH VOLTAGE WIRING (200-480Vac). SEPARATION OF LOW VUNCTION AND HIGH VUNCTION WIRING MUST ALSO BE MAINTAINED INSIDE THE CONTROL PANEL. 24Vdc LOW VUNCTION FIELD WIRING TO BE A MINIMUM OF 22 GAUGE, 75 DEG C COPPER WIRE.
11. ALL MOTOR WIRING MUST BE RUN IN SEPARATE CONDUIT FROM LOW VUNCTION WIRING AND ENTER THE CONTROL PANEL ON THE BOTTOM RIGHT SIDE, USING THE KNOCK OUTS PROVIDED.

EXHAUST PIPE SIZE TABLE (SEE NOTE 9)

UNIT SIZE	PIPE LENGTH		
	0-75'	76'-350'	351'-500'
QX 6.4	3.00" NPT	4.00" NPT	5.00" NPT
UNIT SIZE	PIPE LENGTH		
	0-200'	201'-500'	
QX 7.5	4.00" NPT	5.00" NPT	
UNIT SIZE	PIPE LENGTH		
	0-150'	151'-500'	
QX 8.7	4.00" NPT	5.00" NPT	

EFFECTIVE PIPE LENGTHS FOR ELBOWS

PIPE SIZE (IN)	3.00" NPT	4.00" NPT	5.00" NPT
EFF. PIPE LENGTH (FT)	7.9	10	11.9

HOSPITAL CONNECTION (3" FLANGE)

JUNCTION BOX

PUMP MODULE CONTROL WIRING (SEE NOTE 10)

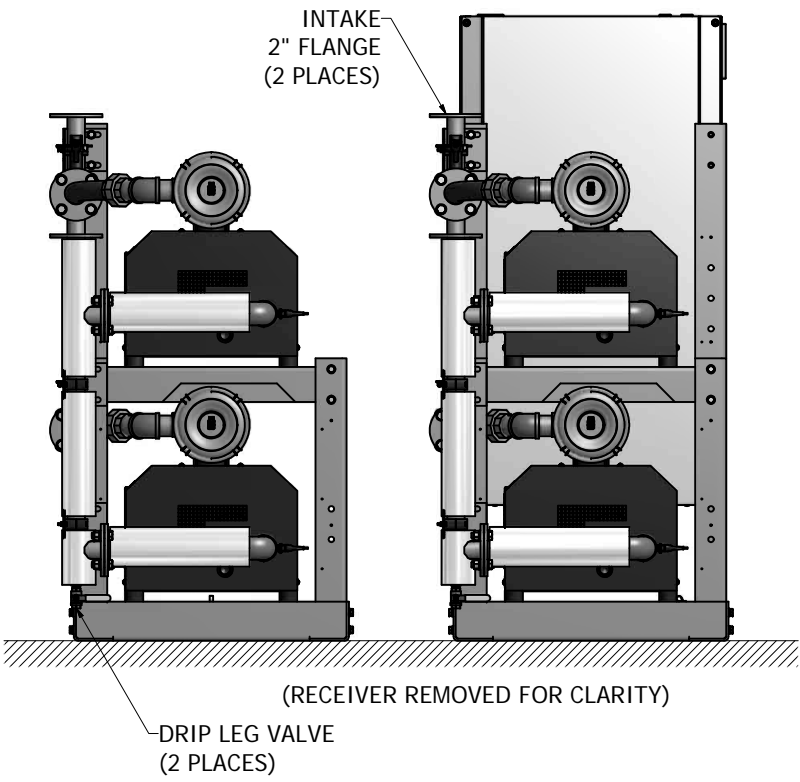
WIRE PRESSURE TRANSDUCER AND BACKUP SWITCH TO PANEL

DISCHARGE 2" FLANGE (2 PLACES)

SINGLE POINT POWER WIRING ACCESS

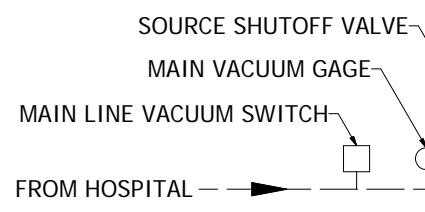
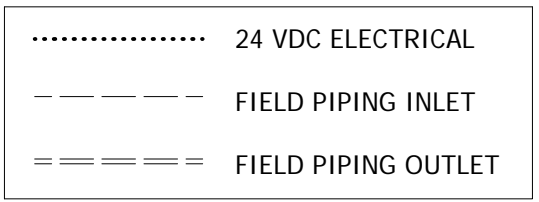
ALARM WIRING ACCESS

ETHERNET WIRING ACCESS

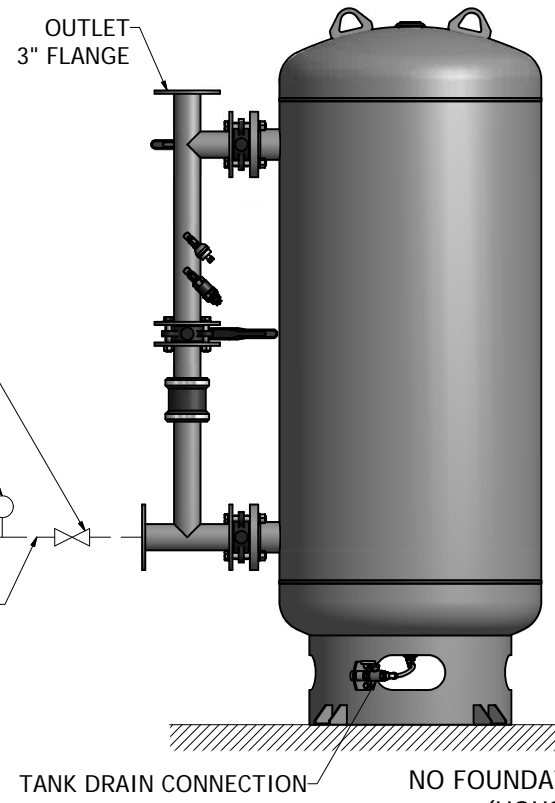


(RECEIVER REMOVED FOR CLARITY)

DRIP LEG VALVE (2 PLACES)



FOR INTAKE PIPE SIZING REFER TO STANDARD PRESSURE DROP TABLES. TOTAL PRESSURE DROP SHOULD BE LESS THAN 2" Hg AT A SYSTEM VACUUM LEVEL OF 15" Hg.

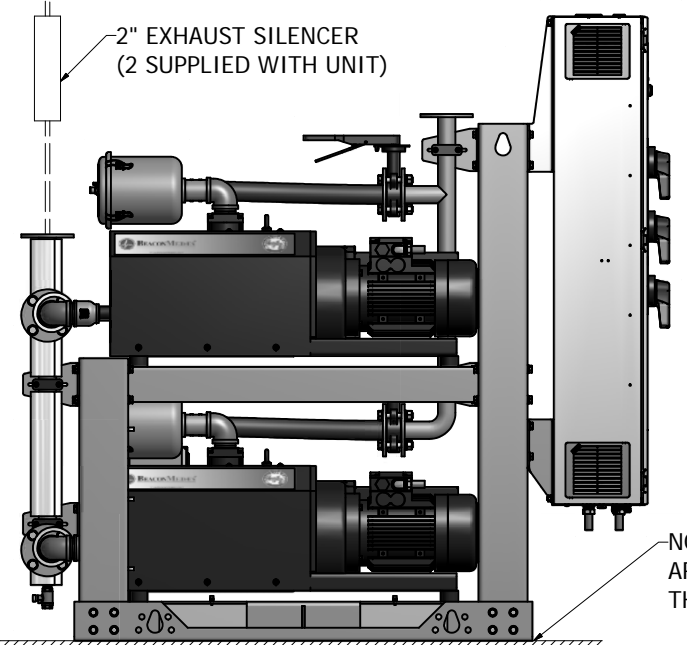


TANK DRAIN CONNECTION

NO FOUNDATION OR INERTIA PAD IS REQUIRED (HOUSEKEEPING PAD IS OPTIONAL)

PIPE EXHAUST OUTSIDE, TURN DOWN AND SCREEN PER NFPA 99

2" EXHAUST SILENCER (2 SUPPLIED WITH UNIT)



NO VIBRATION PADS ARE NECESSARY AT THIS POINT

(8.7HP WITH 200 GALLON RECEIVER SHOWN)

Revised: GE CIA	Date: 03/17/2015	Drawn: MDB	Date: 04/20/2010
		This drawing and the information contained therein remain the property of BeaconMedes and may not be used for other than the purpose for which it is loaned without the expressed written permission from BeaconMedes Engineering.	
Description: INSTALLATION DIAGRAM 6.4-8.7HP QX CLAW VSD VAC MOD STANDARD & O2 ASSURED		Part Number: 4107 8516 34	
Sheet 1 of 1		Rev: 03	
DO NOT SCALE THIS DOCUMENT			