

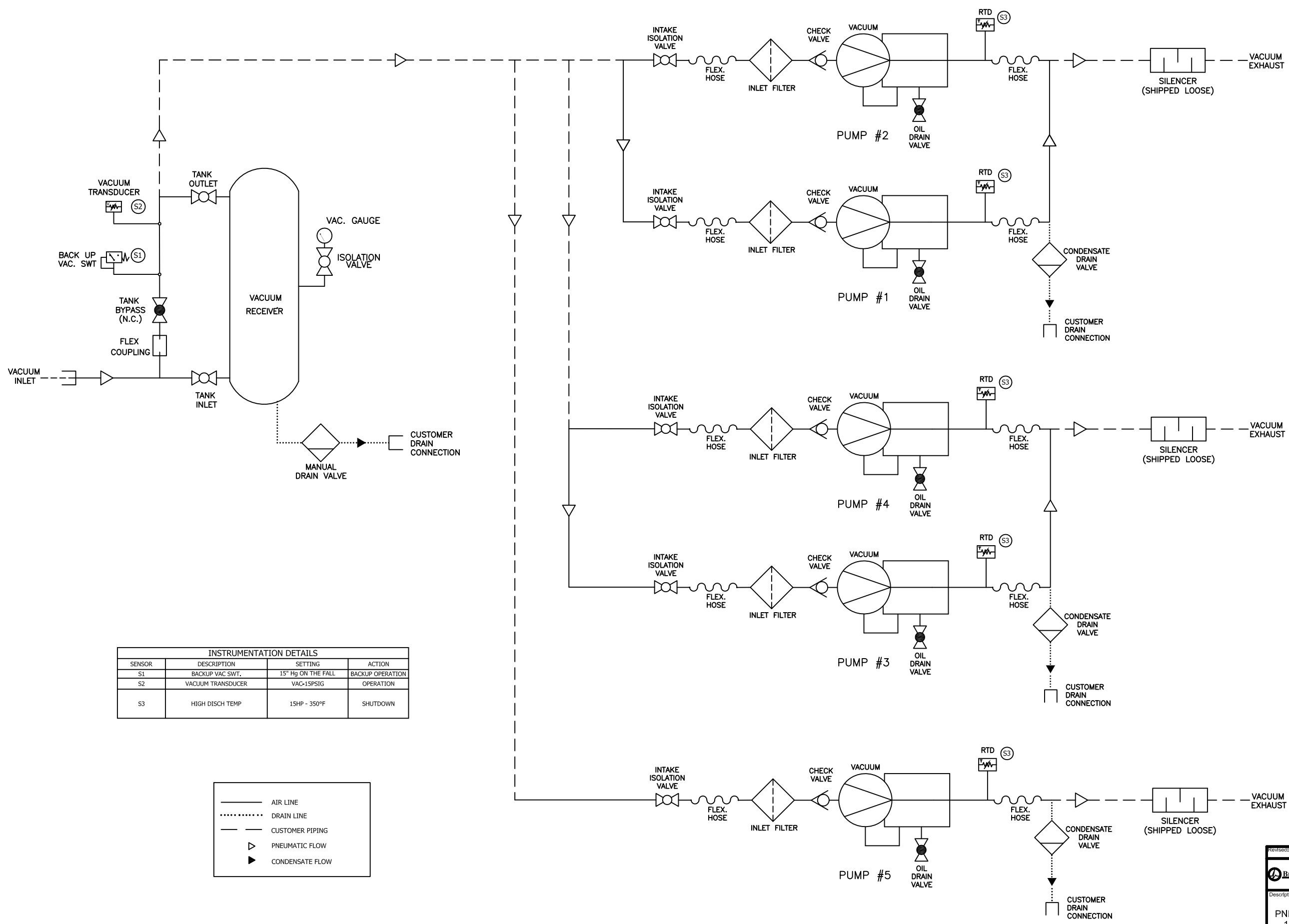
8 7 6 5 4 3 2 1

D

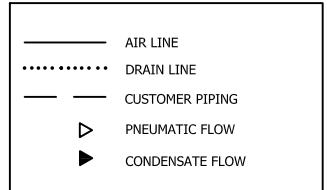
C

B

A



INSTRUMENTATION DETAILS			
SENSOR	DESCRIPTION	SETTING	ACTION
S1	BACKUP VAC. SWT.	15" Hg ON THE FALL	BACKUP OPERATION
S2	VACUUM TRANSDUCER	VAC-15PSIG	OPERATION
S3	HIGH DISCH TEMP	15HP - 350°F	SHUTDOWN



revised:	Date:	drawn:	JWO	Date:	01/28/14
<small>This drawing and the information contained thereon remain the property of BeaconMedics and may not be used for other than the purposes for which it is loaned without the expressed written permission from BeaconMedics Engineering.</small>					
		Scale: NTS			
Description:		Part Number: 4107 8550 13			
PNEUMATIC DIAGRAM PX 15HP CLAW VAC MOD		rev: 00		HOP131370	
Sheet 1 of 1		DO NOT SCALE THIS DOCUMENT			

8 7 6 5 4 3 2 1