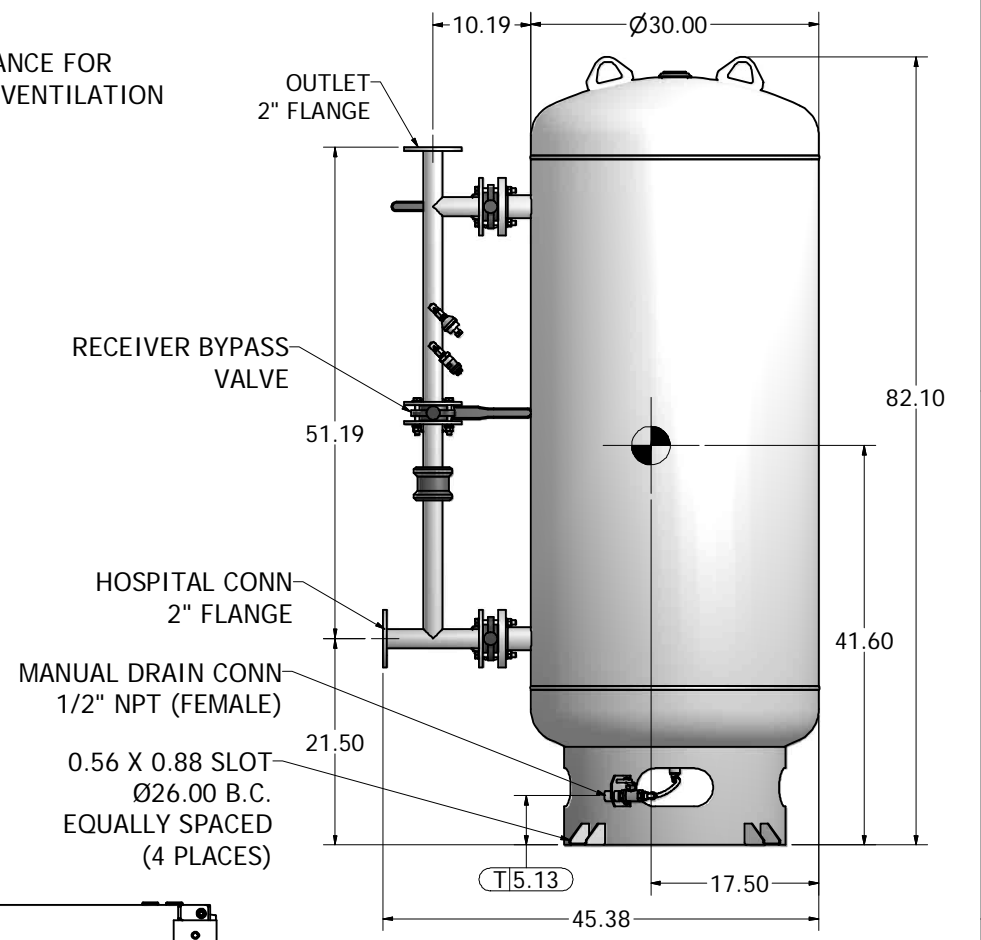
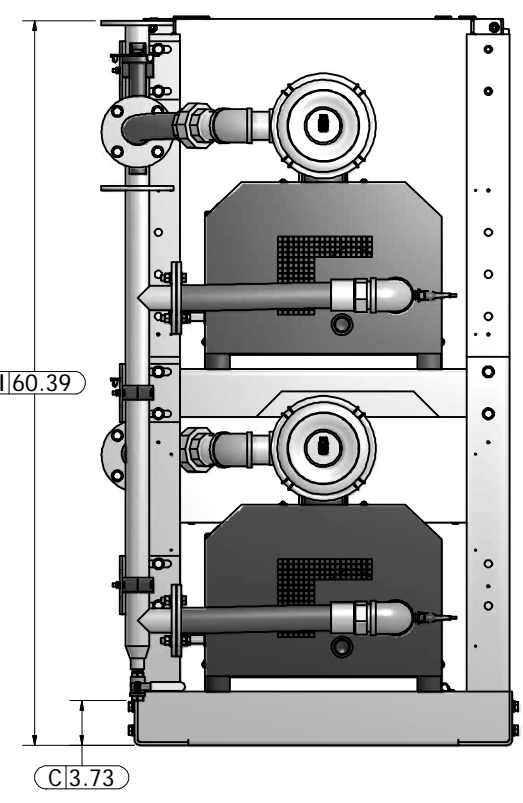
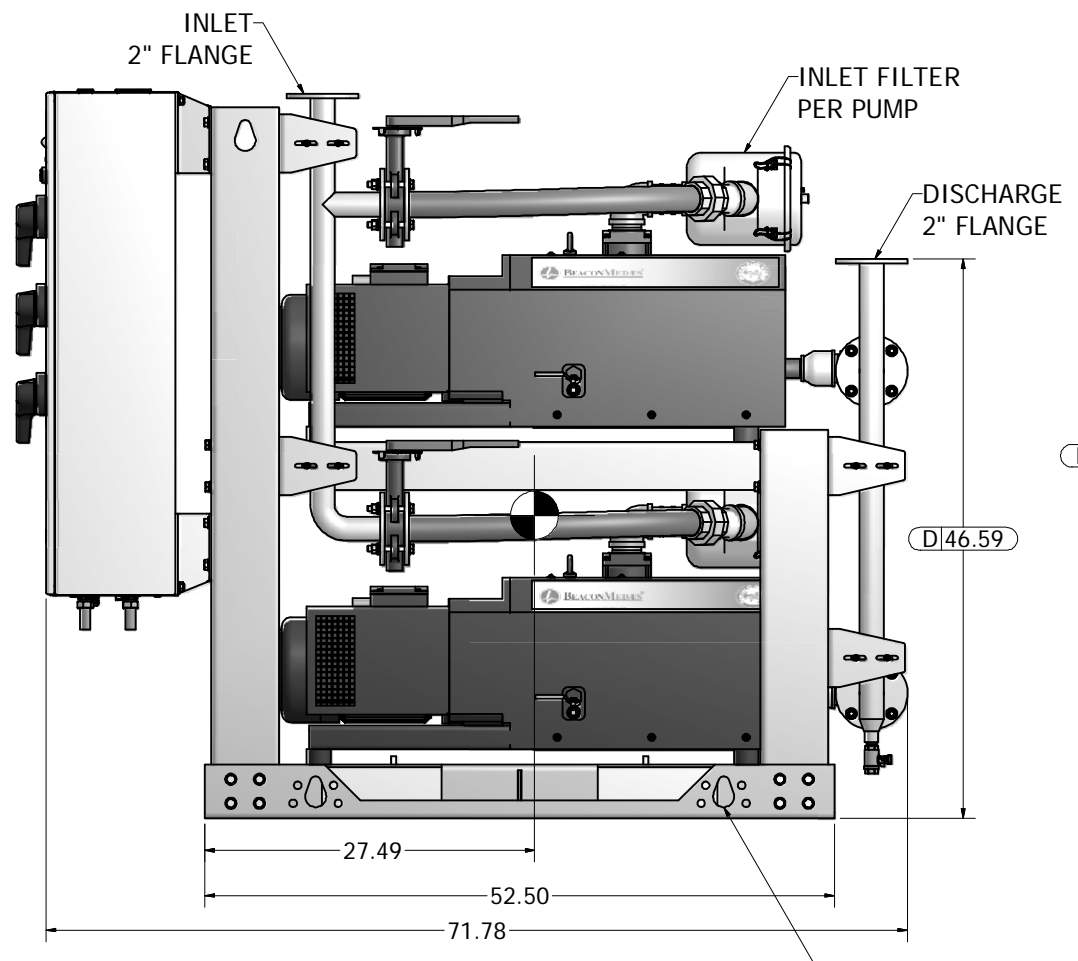
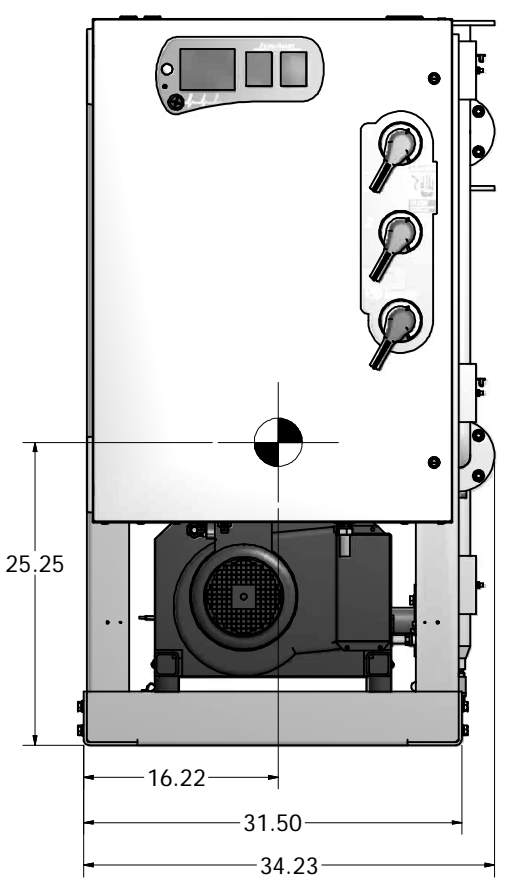
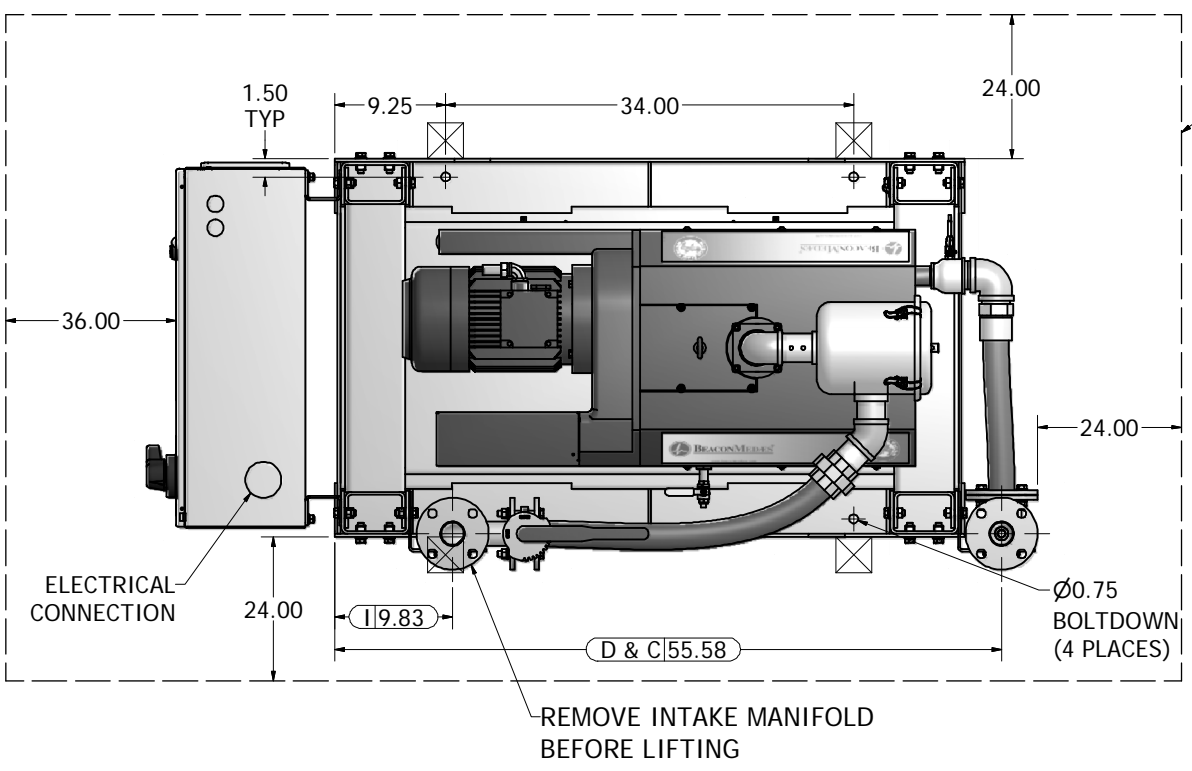


This drawing and the information contained thereon remain the property of BeaconMedics and may not be used for other than the purpose for which it is loaned without the expressed written permission from BeaconMedics Engineering.

- Notes:
- DISCHARGE MUFFLER WILL BE SHIPPED LOOSE.
  - DX MODULE WEIGHT: 1,840 LBS  
200G TANK WEIGHT: 618 LBS
  - ⊠ INDICATES LIFTING POINT.
  - DENOTES CENTER OF GRAVITY.

SYSTEM CONNECTIONS	
ID	DESCRIPTION
I	INLET LOCATION
D	DISCHARGE LOCATION
C	CONDENSATE DRAIN LOCATION
T	TANK DRAIN LOCATION



200 GAL VACUUM RECEIVER  
2" FLANGED CONNECTIONS  
(SCALE 1:10)

INSPECTION CHECKLIST UNLESS OTHERWISE SPECIFIED:	Revised: _____ Date: _____ Drawn: BJM Date: 6/16/2010	Scale: 1/8
ALL ITEMS MARKED BY ONE OF THE ABOVE SYMBOLS ARE TO BE INSPECTED	BEACONMEDICS	D
EQUIPMENT TO BE USED DURING RECEIVING INSPECTION SHALL BE PER QUALITY SYSTEM PROCEDURES	Description: GENERAL ASSEMBLY 8.7HP DX CLAW VSD VAC MOD 200G RECEIVER STANDARD AND O2 ASSURED	Part Number: 4107 8514 06
	DN: USN100301	Rev: 00
	Sheet 1 of 1	DO NOT SCALE THIS DOCUMENT