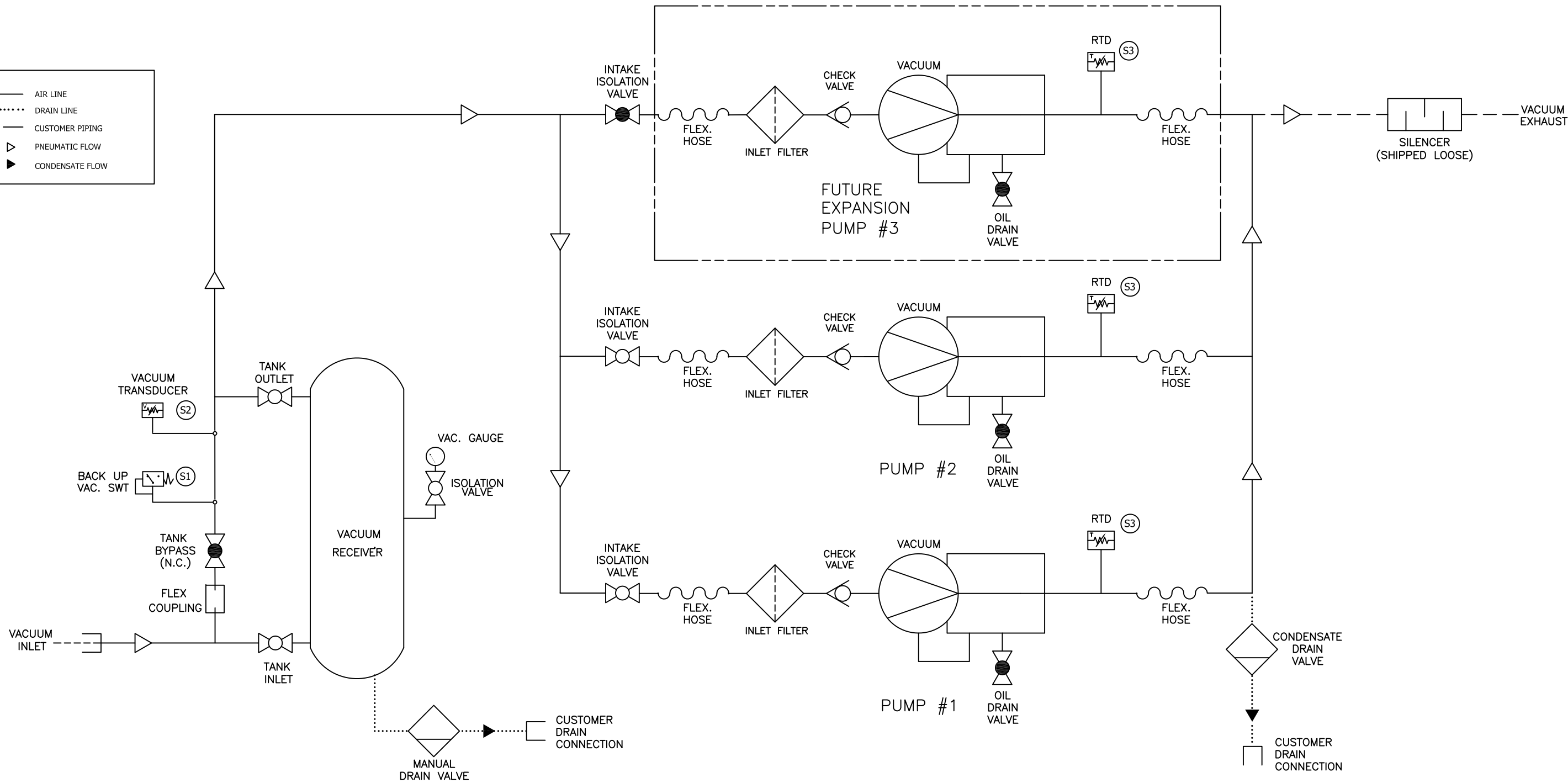
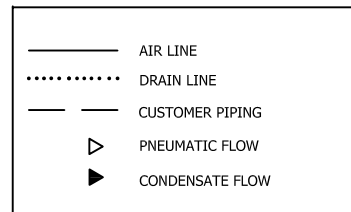


This drawing and the information contained thereon remain the property of BeaconMedics and may not be used for other than the purpose for which it is loaned without the expressed written permission from BeaconMedics Engineering.



INSTRUMENTATION DETAILS			
SENSOR	DESCRIPTION	SETTING	ACTION
S1	BACKUP VAC. SWT.	15" Hg ON THE FALL	BACKUP OPERATION
S2	VACUUM TRANSDUCER	VAC-15PSIG	OPERATION
S3	HIGH DISCH TEMP	5HP - 250°F 6.4-10HP - 350°F	SHUTDOWN

Revised:	Date:	Drawn: MJB	Date: 03/08/10
		This drawing and the information contained thereon remain the property of BeaconMedics and may not be used for other than the purpose for which it is loaned without the expressed written permission from BeaconMedics Engineering.	
Description: PNEUMATIC DIAGRAM DX-EXP-TX		Part Number: 4107 8516 99	
5-10HP CLAW VAC SPC		DN: USN100111	REV: 01
Sheet 1 of 1		DO NOT SCALE THIS DOCUMENT	