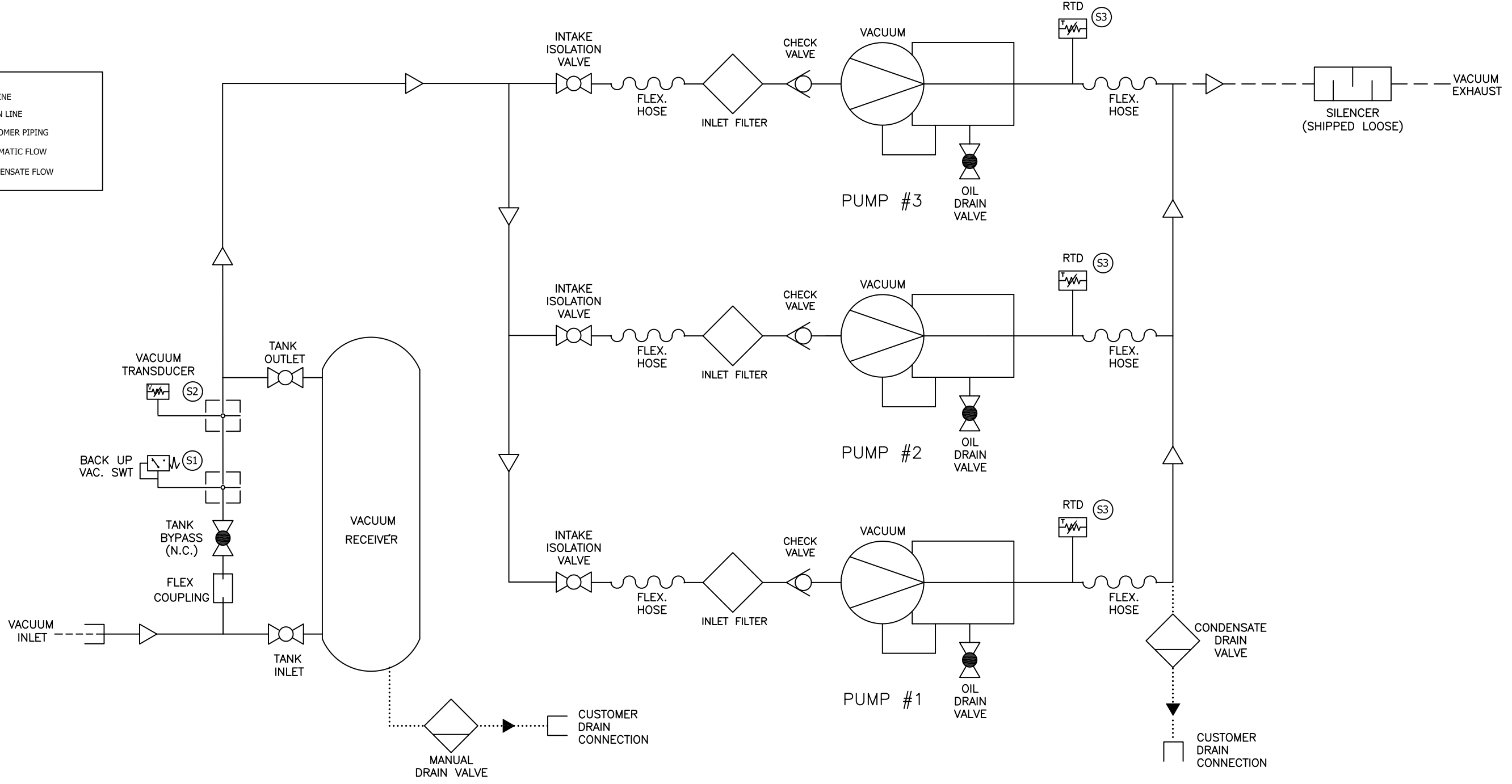
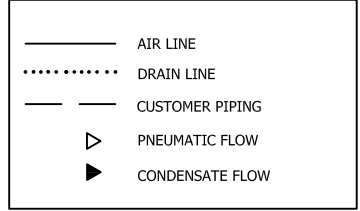


This drawing and the information contained therein remain the property of BeaconMedias and may not be used for other than the purpose for which it is loaned without the expressed written permission from BeaconMedias Engineering.



INSTRUMENTATION DETAILS			
SENSOR	DESCRIPTION	SETTING	ACTION
S1	BACKUP VAC SWT.	15" Hg ON THE FALL	BACKUP OPERATION
S2	VACUUM TRANSDUCER	VAC-15PSIG	OPERATION
S3	HIGH DISCH TEMP	5HP - 250°F 6.4-10HP - 350°F	SHUTDOWN

Revised:	Date:	Drawn:	MDB	Date:	01/25/10
		<small>This drawing and the information contained therein remain the property of BeaconMedias and may not be used for other than the purpose for which it is loaned without the expressed written permission from BeaconMedias Engineering.</small>		Scale: NTS 	
Description:			Part Number:		
PNEUMATIC DIAGRAM TX			4107 8516 91		
5-10HP CLAW VAC SPC			DN: USN100038		
Sheet 1 of 1			Rev: 01		
<small>DO NOT SCALE THIS DOCUMENT</small>					