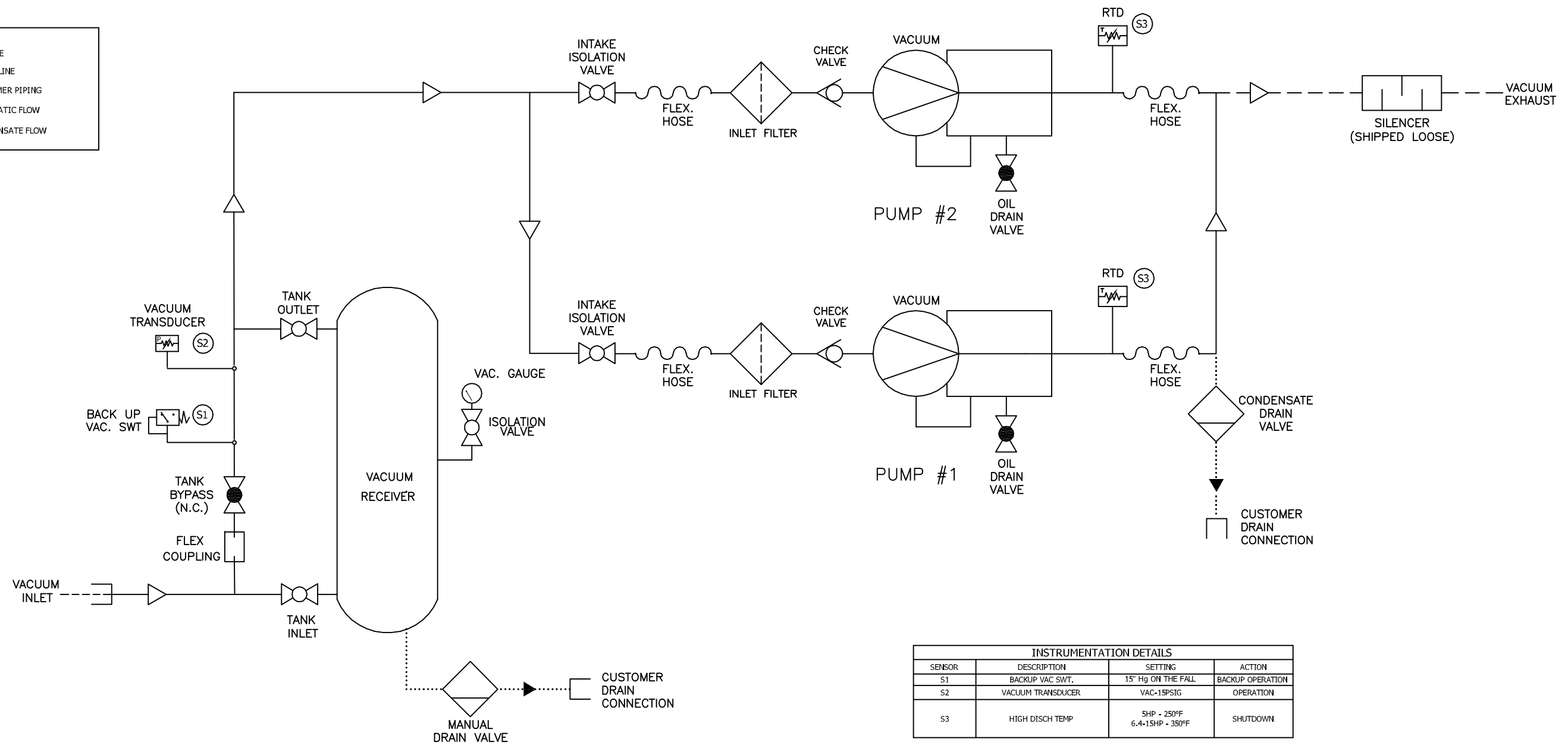
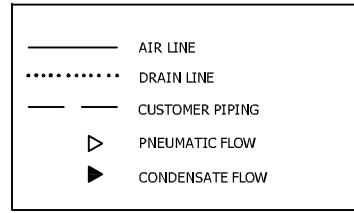


This drawing and the information contained thereon remain the property of BeaconMedaes and may not be used for other than the purpose for which it is loaned without the expressed written permission from BeaconMedaes Engineering.



| INSTRUMENTATION DETAILS | | | |
|-------------------------|-------------------|---------------------------------|------------------|
| SENSOR | DESCRIPTION | SETTING | ACTION |
| S1 | BACKUP VAC. SWT. | 15" Hg ON THE FALL | BACKUP OPERATION |
| S2 | VACUUM TRANSDUCER | VAC-15PSIG | OPERATION |
| S3 | HIGH DISCH TEMP | 5HP - 250°F 6.4-15HP - 350°F | SHUTDOWN |

| | | | |
|---|----------|---|----------|
| Revised | DATE | Drawn | DATE |
| JWD | 12/19/13 | MDB | 11/19/09 |
| | | Scale: NTS D | |
| Description: PNEUMATIC DIAGRAM DX 5-15HP CLAW VAC SPC | | Part Number: 4107 8516 90 D/E: HOP131370 rev: 02 Sheet 1 of 1 DO NOT SCALE THIS DOCUMENT | |