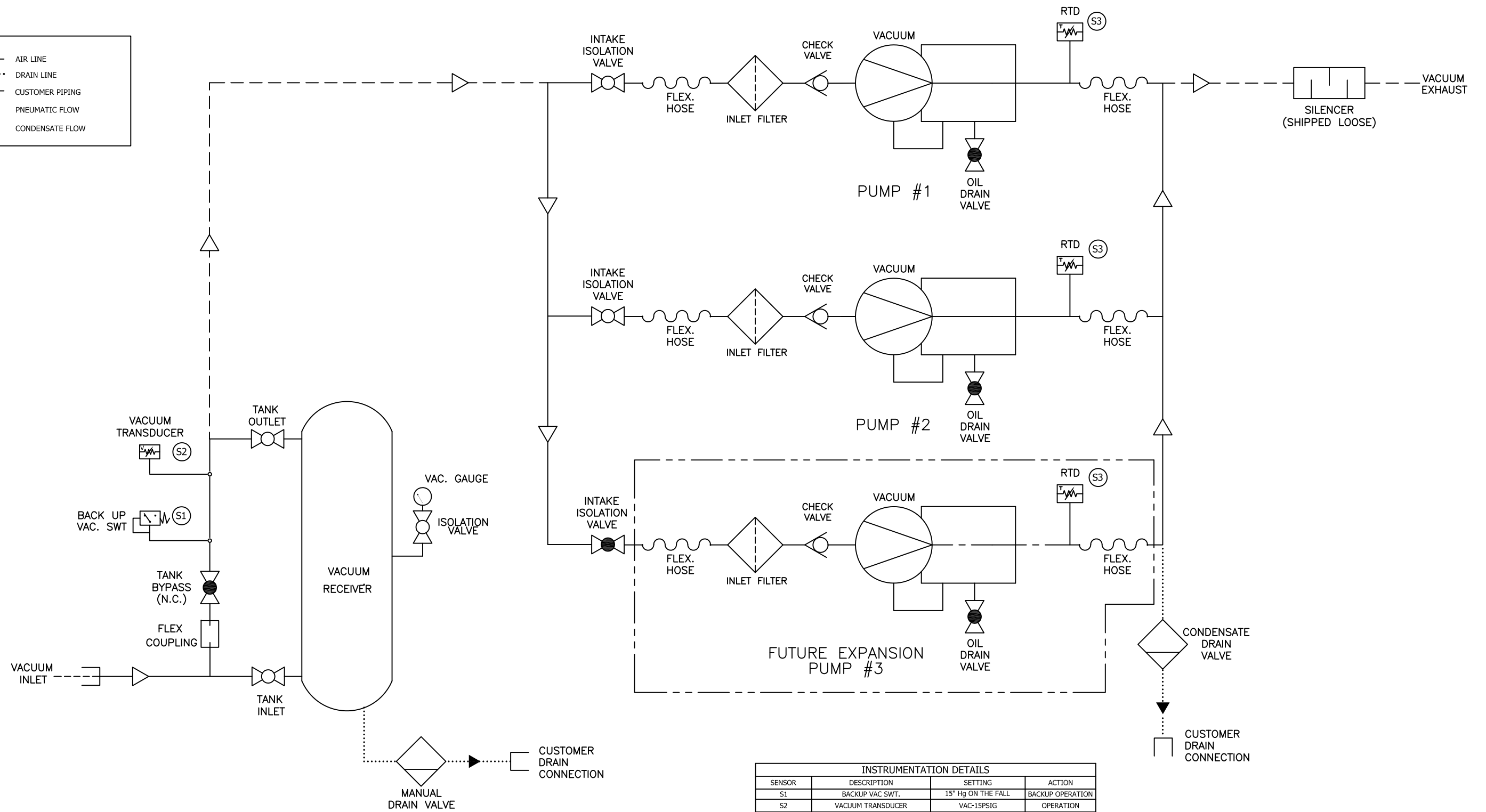
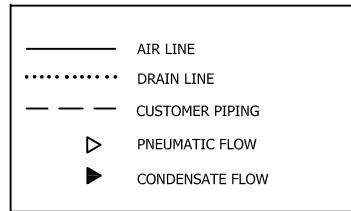


This drawing and the information contained therein remain the property of BeaconMedes and may not be used for other than the purpose for which it is loaned without the expressed written permission from BeaconMedes Engineering.



INSTRUMENTATION DETAILS			
SENSOR	DESCRIPTION	SETTING	ACTION
S1	BACKUP VAC SWT.	15" Hg ON THE FALL	BACKUP OPERATION
S2	VACUUM TRANSDUCER	VAC-15PSIG	OPERATION
S3	HIGH DISCH TEMP	5HP - 250°F 6.4-10HP - 350°F	SHUTDOWN

Revised:	Date:	Drawn: BJM	Date: 05/18/10
		This drawing and the information contained herein remain the property of BeaconMedes and may not be used for other than the purpose for which it is loaned without the expressed written permission from BeaconMedes Engineering.	
Description: PNEUMATIC DIAGRAM DX-X-TX		Part Number: 4107 8516 95	Scale: NTS
5.4-10HP CLAW VAC MOD		DN: USN100235	Rev: 00
Sheet 1 of 1	DO NOT SCALE THIS DOCUMENT		