

Notes:

- DISCHARGE MUFFLERS WILL BE SHIPPED LOOSE.
- SYSTEM WEIGHT: 4,520 LBS. (INCLUDES FUTURE EXPANSION PUMP).
- ☒ INDICATES LIFTING POINT.
- DENOTES CENTER OF GRAVITY (INCLUDES FUTURE EXPANSION PUMP).

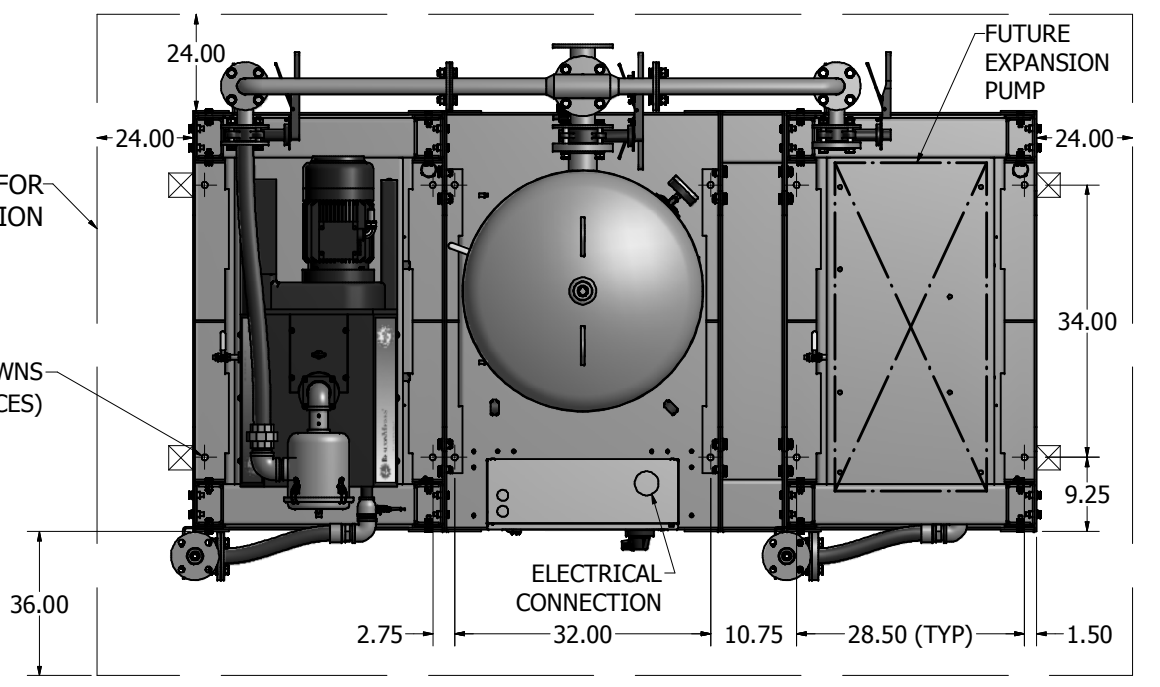
SYSTEM CONNECTIONS	
ID	DESCRIPTION
I	INLET LOCATION
D	DISCHARGE LOCATION
C	CONDENSATE DRAIN LOCATION
T	TANK DRAIN LOCATION

MINIMUM CLEARANCE FOR MAINTENANCE & VENTILATION

Ø0.75 BOLTDOWNS (12 PLACES)

ELECTRICAL CONNECTION

FUTURE EXPANSION PUMP



240 GALLON RECEIVER

INTAKE FILTER PER PUMP

DISCHARGE 2" FLANGE (2 PLACES)

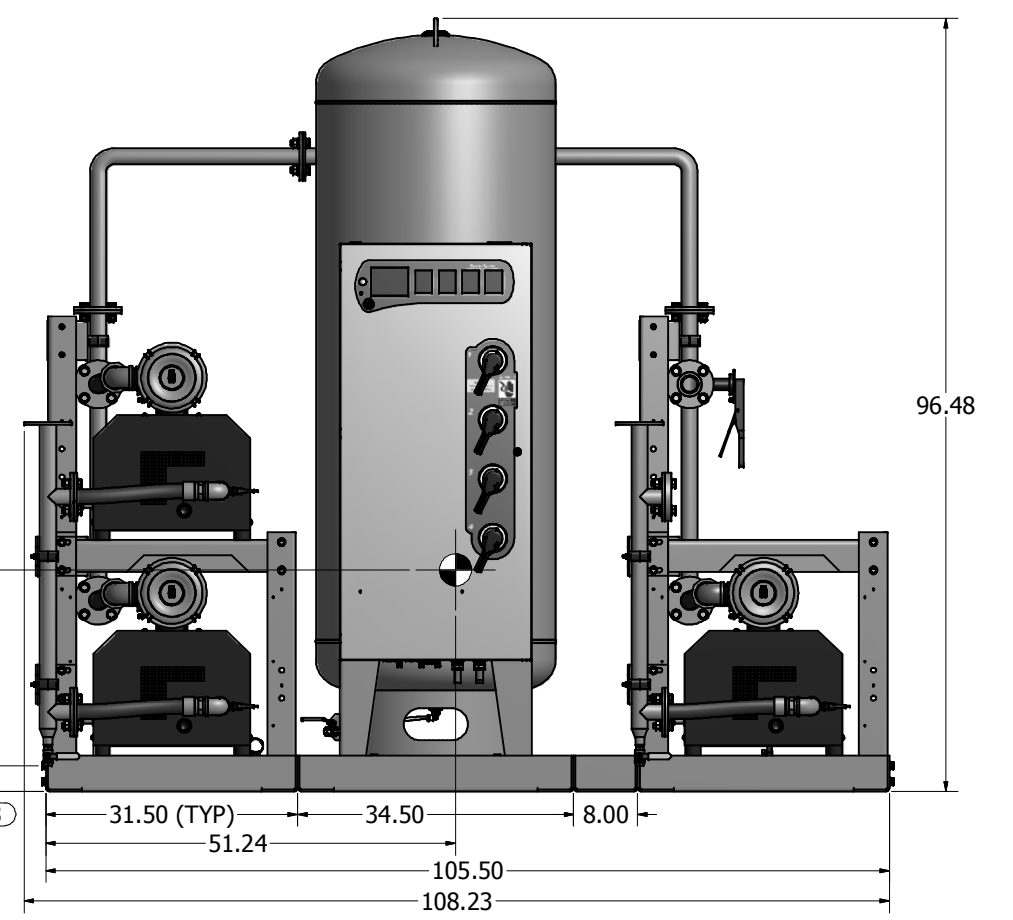
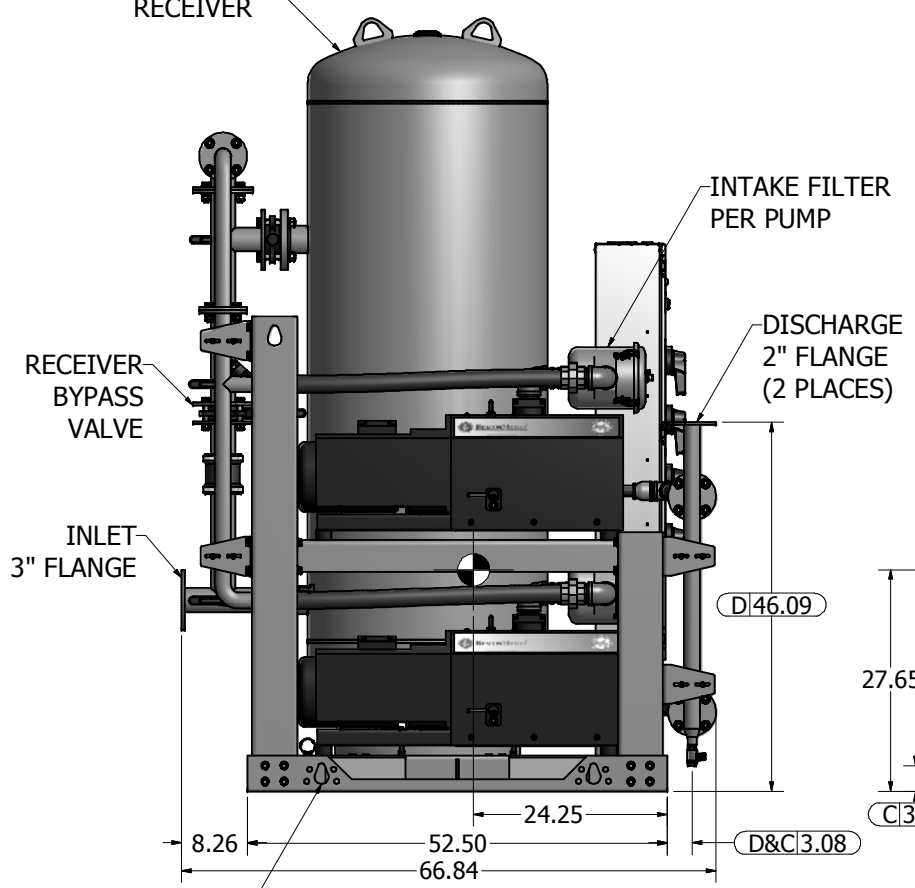
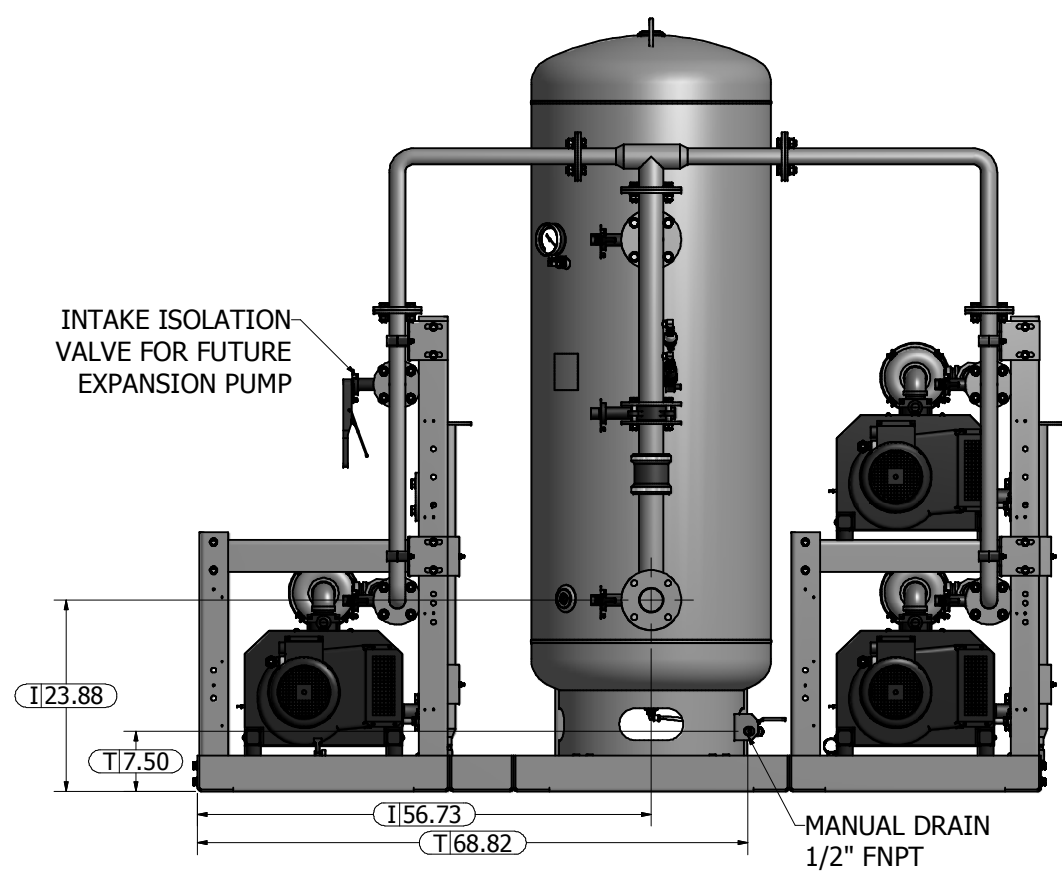
RECEIVER BYPASS VALVE

INLET 3" FLANGE

INTAKE ISOLATION VALVE FOR FUTURE EXPANSION PUMP

MANUAL DRAIN 1/2" FNPT

INTEGRATED LIFTING EYES



Revised:	Date:	Drawn: MDB	Date: 3/11/2010
BEACONMEDES This drawing and the information contained therein remain the property of BeaconMedes and may not be used for other than the purpose for which it is loaned without the expressed written permission from BeaconMedes Engineering.			Scale: 1/12
Description: GENERAL ASSEMBLY 6.4HP TX-EXP-QX CLAW VAC SPC 240G RECEIVER STANDARD & O2 ASSURED		Part Number: 4107 8515 30	
DN: USN100126		Rev: 00	
Sheet 1 of 1		DO NOT SCALE THIS DOCUMENT	