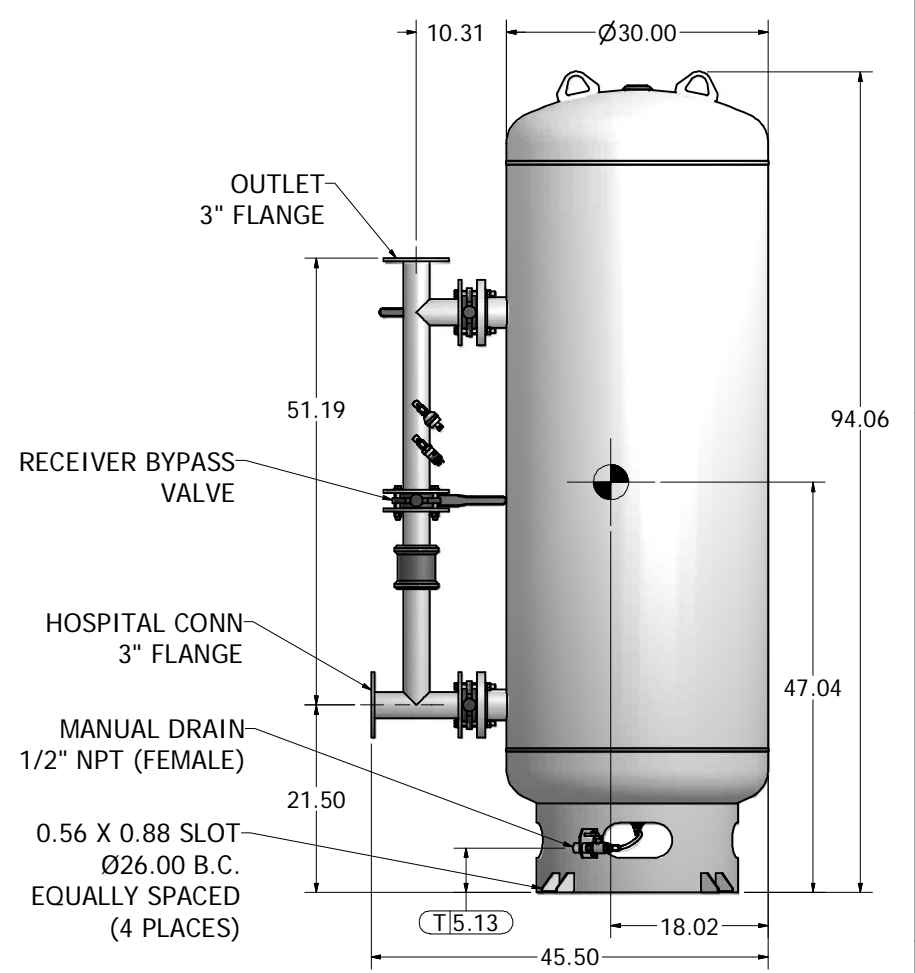
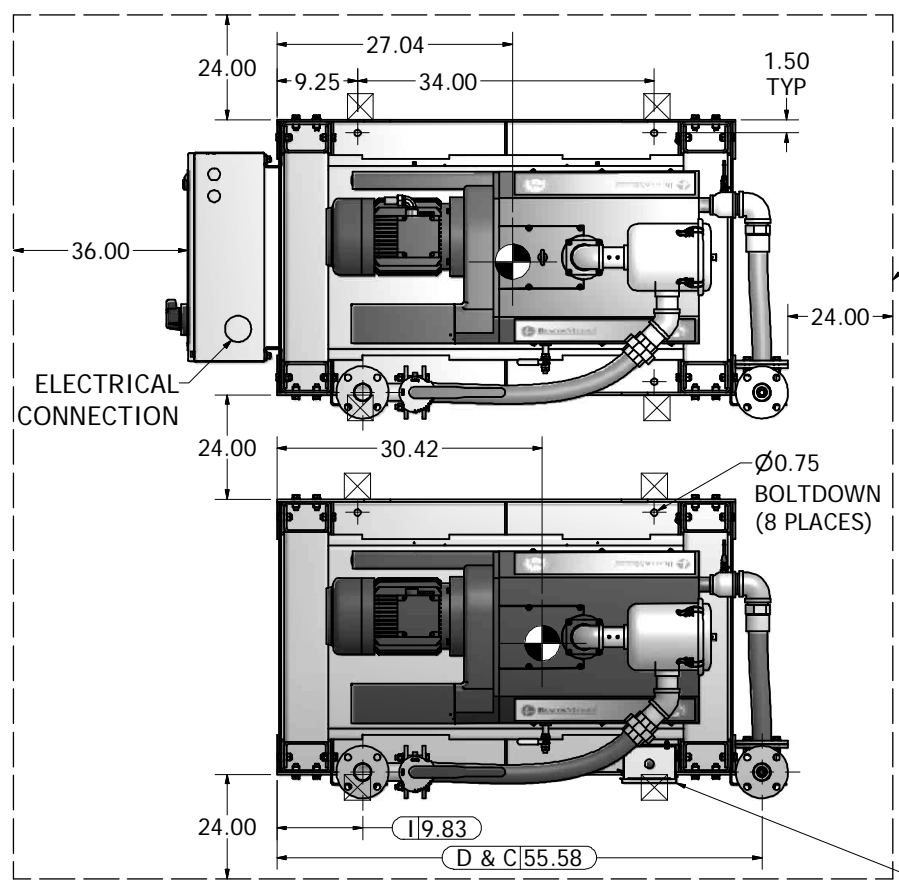


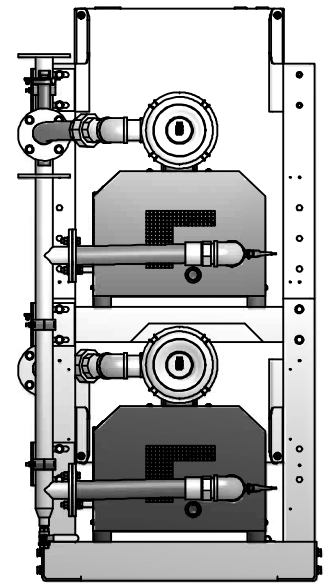
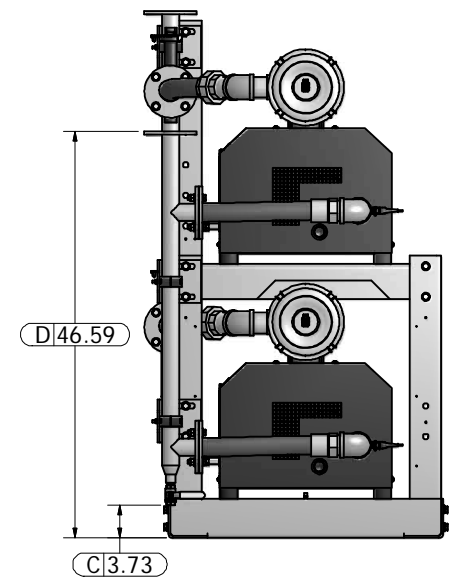
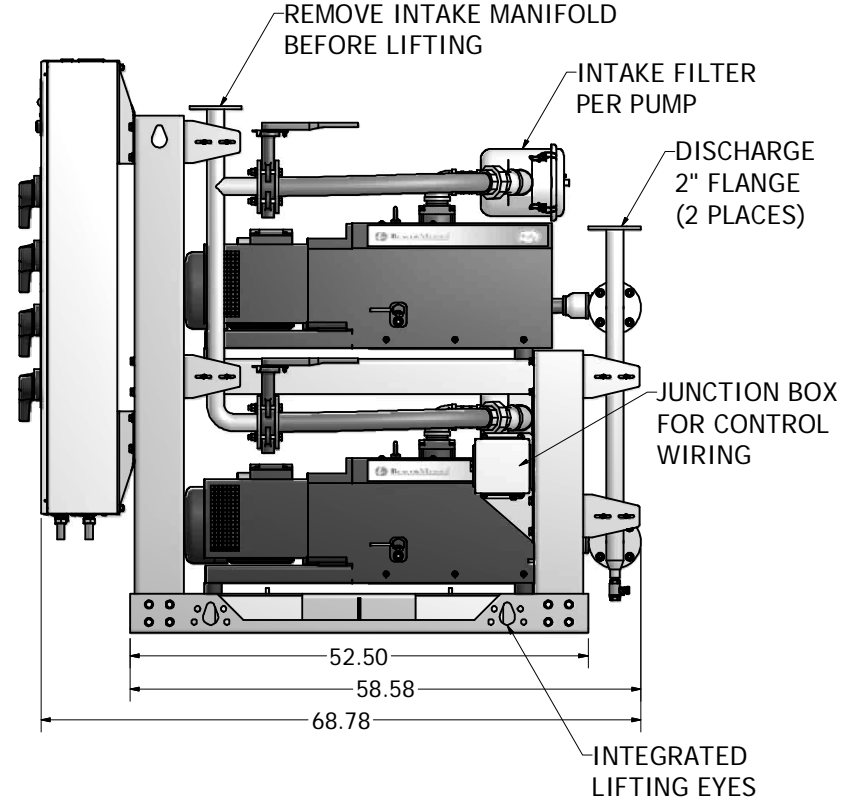
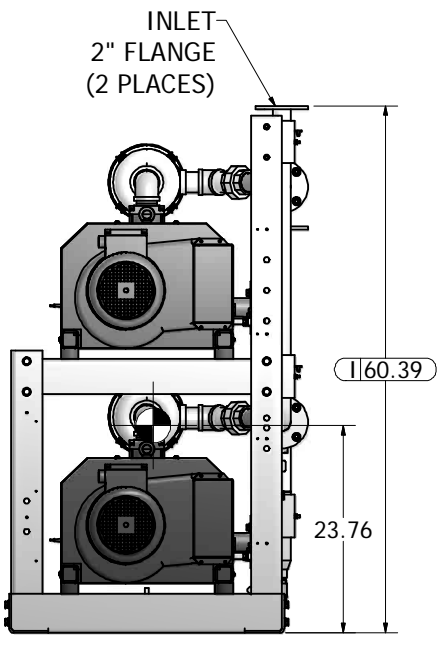
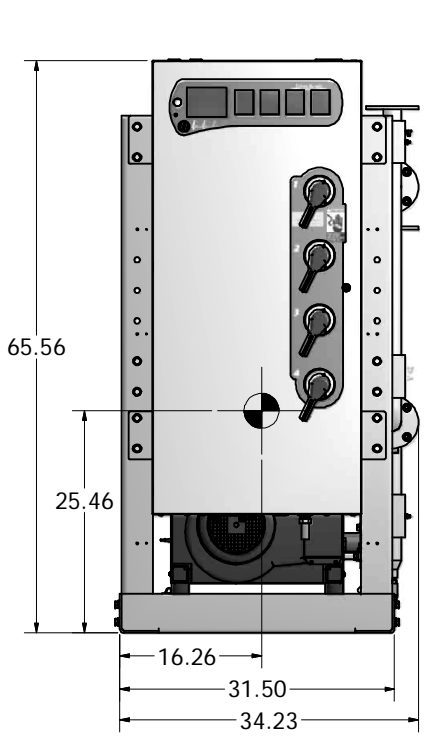
This drawing and the information contained thereon remain the property of BeaconMedics and may not be used for other than the purpose for which it is loaned without the expressed written permission from BeaconMedics Engineering.

- Notes:
- DISCHARGE MUFFLERS WILL BE SHIPPED LOOSE.
 - DX MODULE W/ PANEL WEIGHT: 1,867 LBS
DX MODULE WEIGHT: 1,690 LBS
240G TANK WEIGHT: 713 LBS
 - ⊠ INDICATES LIFTING POINT.
 - DENOTES CENTER OF GRAVITY.

SYSTEM CONNECTIONS	
ID	DESCRIPTION
I	INLET LOCATION
D	DISCHARGE LOCATION
C	CONDENSATE DRAIN LOCATION
T	TANK DRAIN LOCATION



240 GAL VACUUM RECEIVER
3" FLANGED CONNECTIONS
(SCALE 1:11)



INSPECTION CHECKLIST UNLESS OTHERWISE SPECIFIED:	Revised: _____ Date: _____ Drawn: MDB Date: 4/16/2010	UNLESS OTHERWISE SPECIFIED ALL DIMENSIONS ARE IN INCHES AND TOLERANCES ARE: XX ± .02 XXX ± .005 ANGLES ± .5°	Scale: 1/11
ALL ITEMS MARKED BY ONE OF THE ABOVE SYMBOLS ARE TO BE INSPECTED EQUIPMENT TO BE USED DURING RECEIVING INSPECTION SHALL BE PER QUALITY SYSTEM PROCEDURES	BEACONMEDICS	Description: GENERAL ASSEMBLY 8.7HP OX CLAW VAC MOD 240G RECEIVER STANDARD AND O2 ASSURED	Part Number: 4107 8513 41 Rev: 00 USN100174 Sheet 1 of 1 DO NOT SCALE THIS DOCUMENT