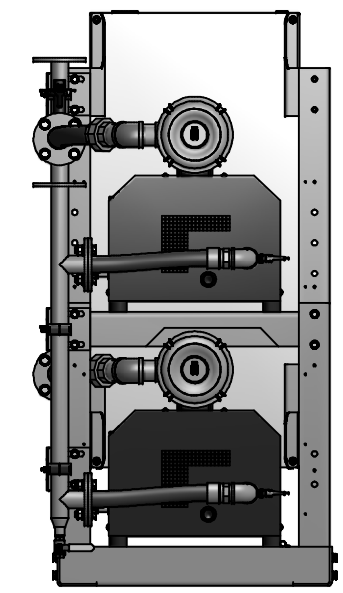
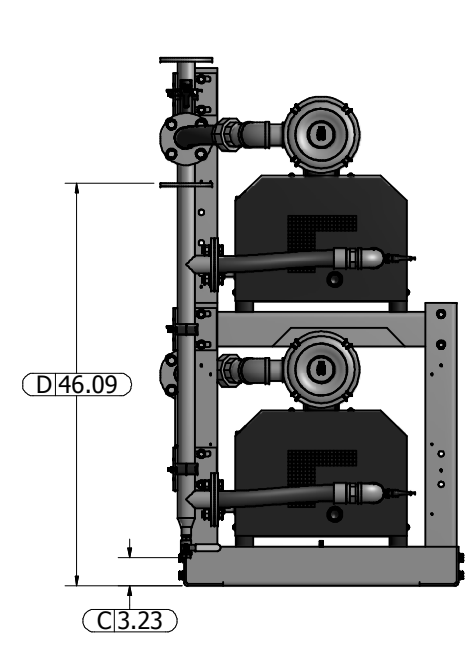
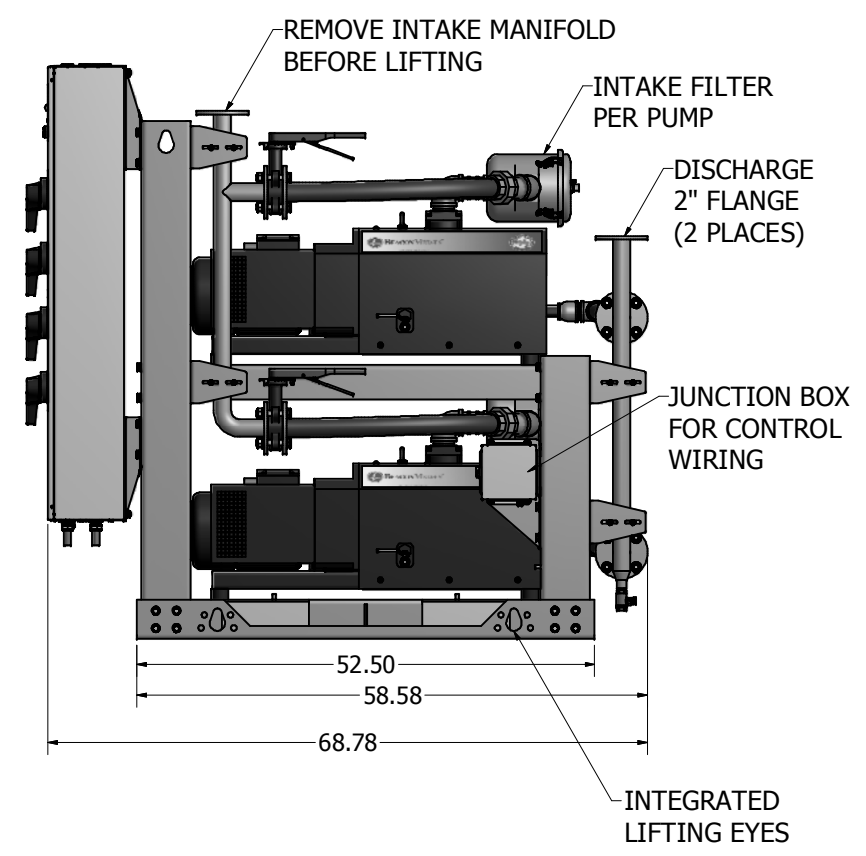
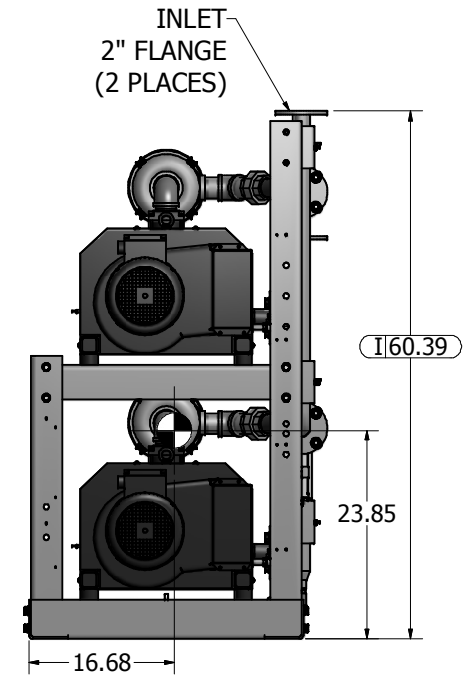
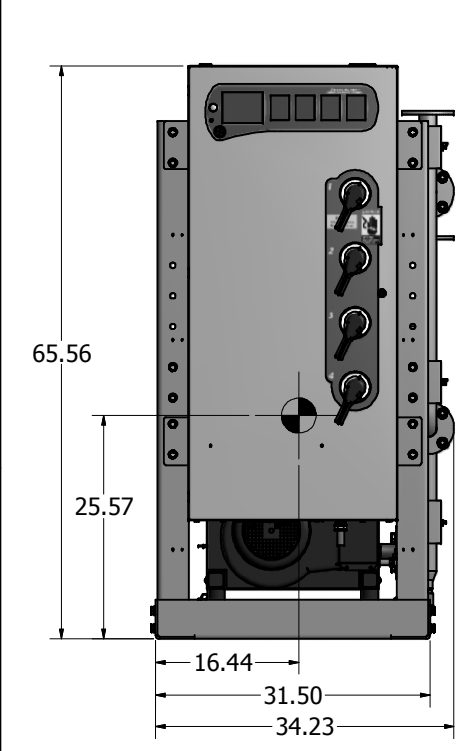
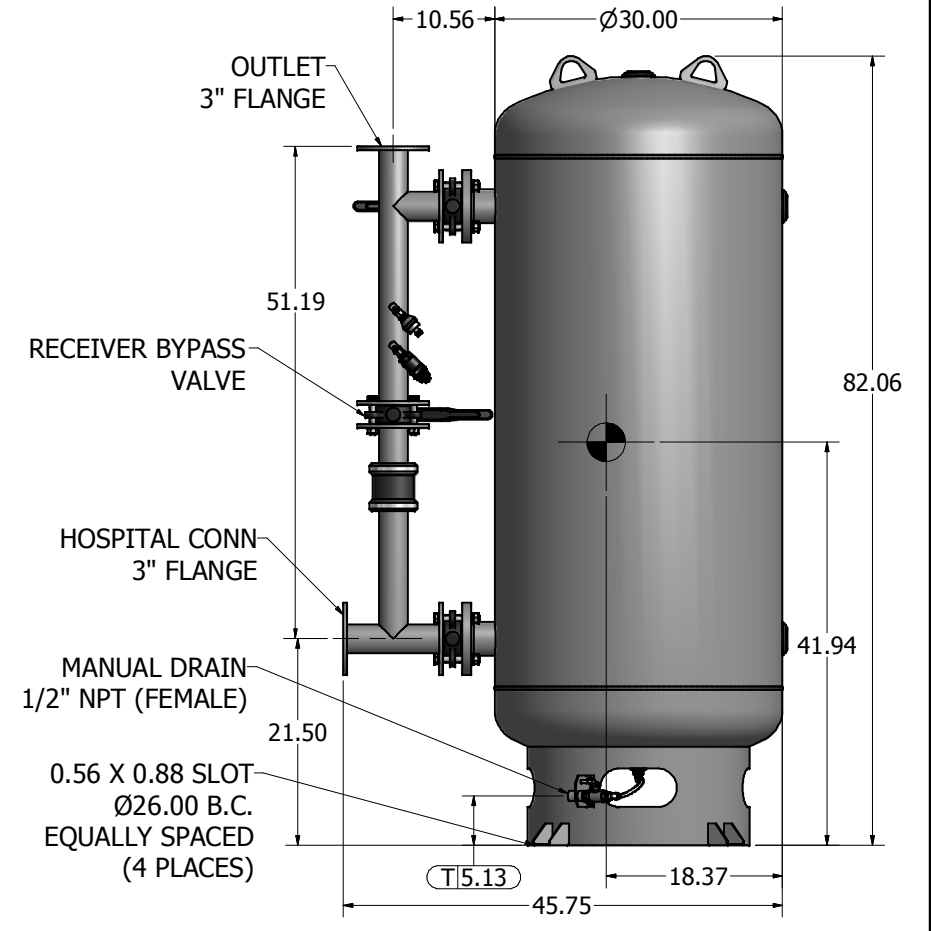
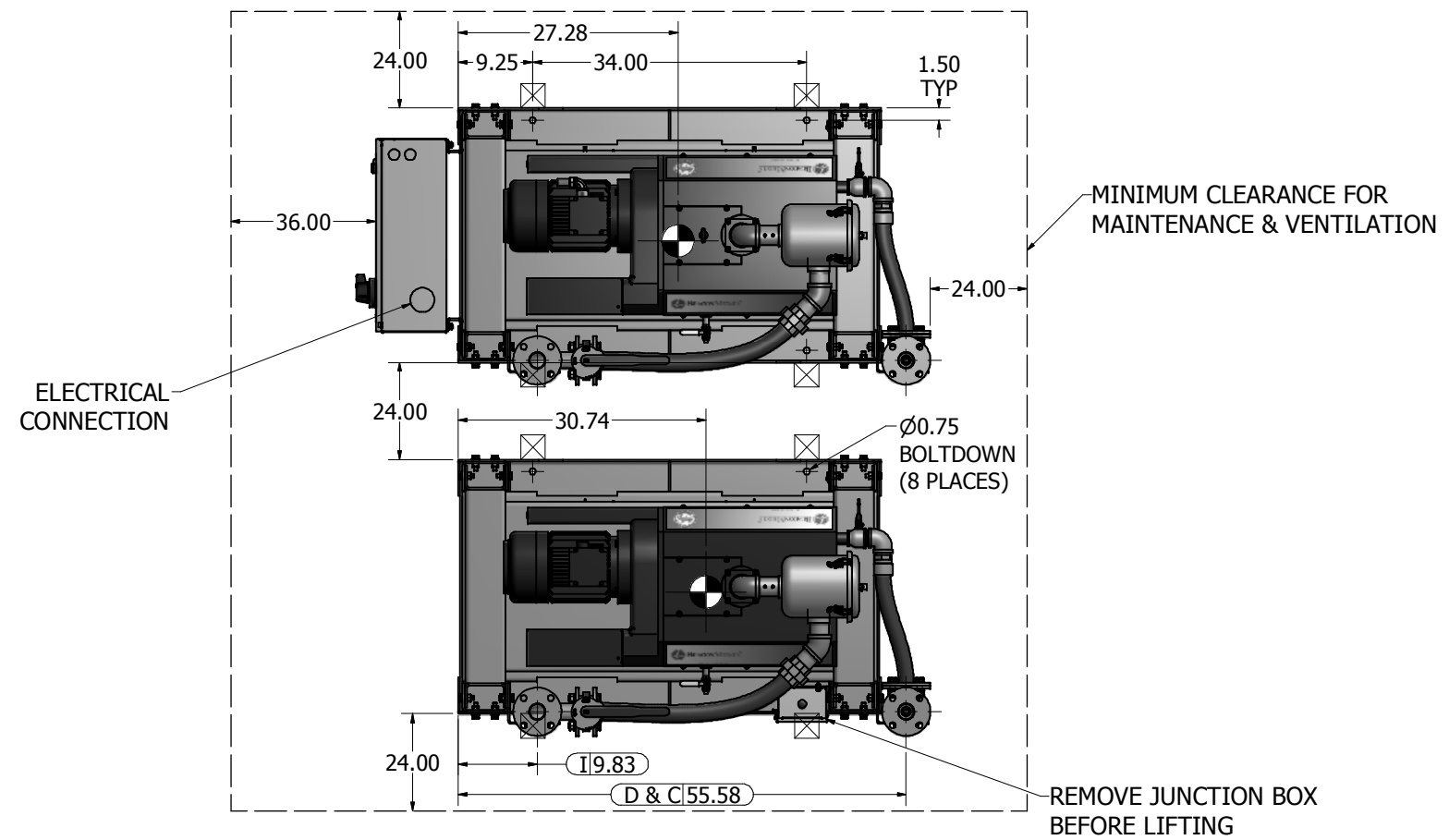


This drawing and the information contained thereon remain the property of BeaconMedics and may not be used for other than the purpose for which it is loaned without the expressed written permission from BeaconMedics Engineering.

- Notes:
- DISCHARGE MUFFLER WILL BE SHIPPED LOOSE.
  - DX MODULE W/ PANEL WEIGHT: 1,839 LBS  
DX MODULE WEIGHT: 1,662 LBS  
200G TANK WEIGHT: 638 LBS
  - ⊠ INDICATES LIFTING POINT.
  - DENOTES CENTER OF GRAVITY.

ID	DESCRIPTION
I	INLET LOCATION
D	DISCHARGE LOCATION
C	CONDENSATE DRAIN LOCATION
T	TANK DRAIN



INSPECTION CHECKLIST UNLESS OTHERWISE SPECIFIED: ◇ ○ ALL ITEMS MARKED BY ONE OF THE ABOVE SYMBOLS ARE TO BE INSPECTED EQUIPMENT TO BE USED DURING RECEIVING INSPECTION SHALL BE PER QUALITY SYSTEM PROCEDURES	Revised:	Date:	Drawn: MDB	Date: 1/11/2010
	UNLESS OTHERWISE SPECIFIED ALL DIMENSIONS ARE IN INCHES AND TOLERANCES ARE: XXX ± 0.2 XXX ± 0.05		Scale: 1/11	
BEACONMEDICS		Part Number: 4107 8513 36		
Description: GENERAL ASSEMBLY 6.4HP QX CLAW VAC MOD 200G RECEIVER STANDARD AND O2 ASSURED		DN: USN00174	Rev: 00	
Sheet 1 of 1	DO NOT SCALE THIS DOCUMENT			