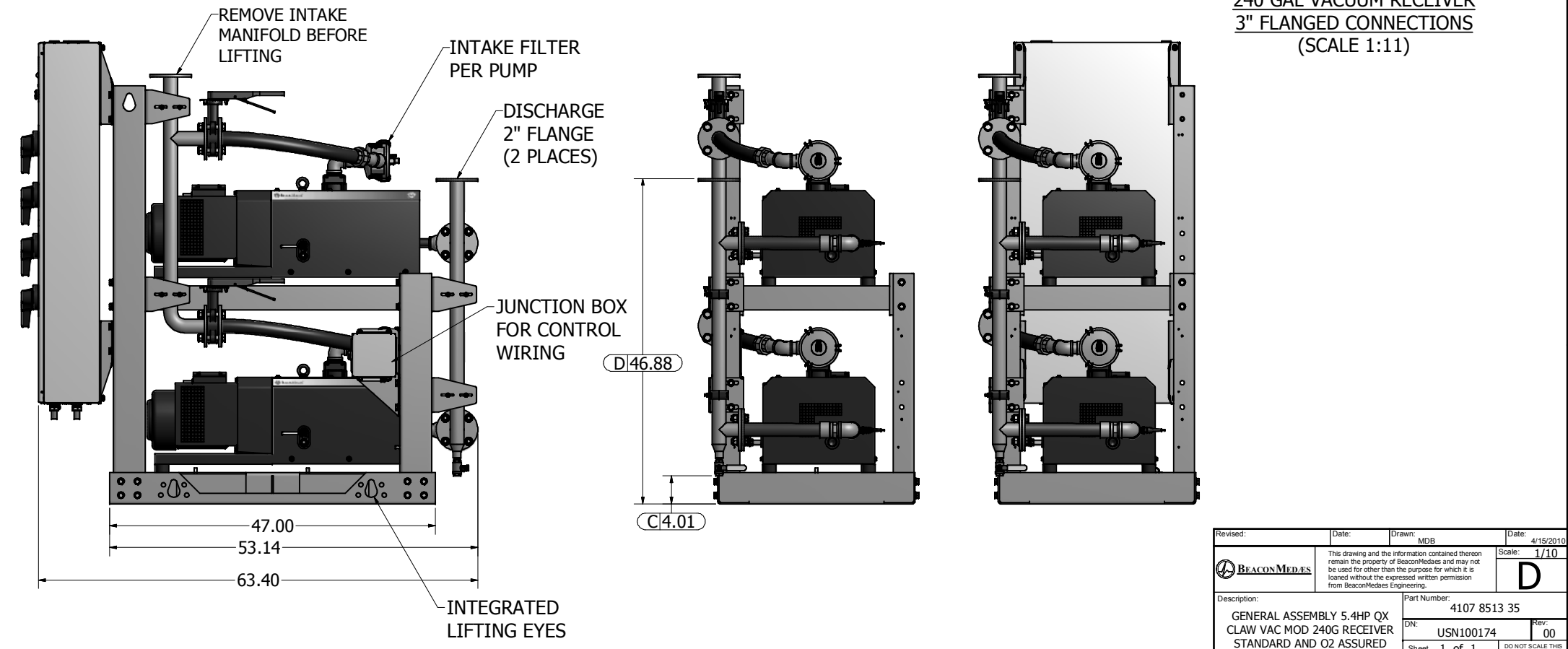
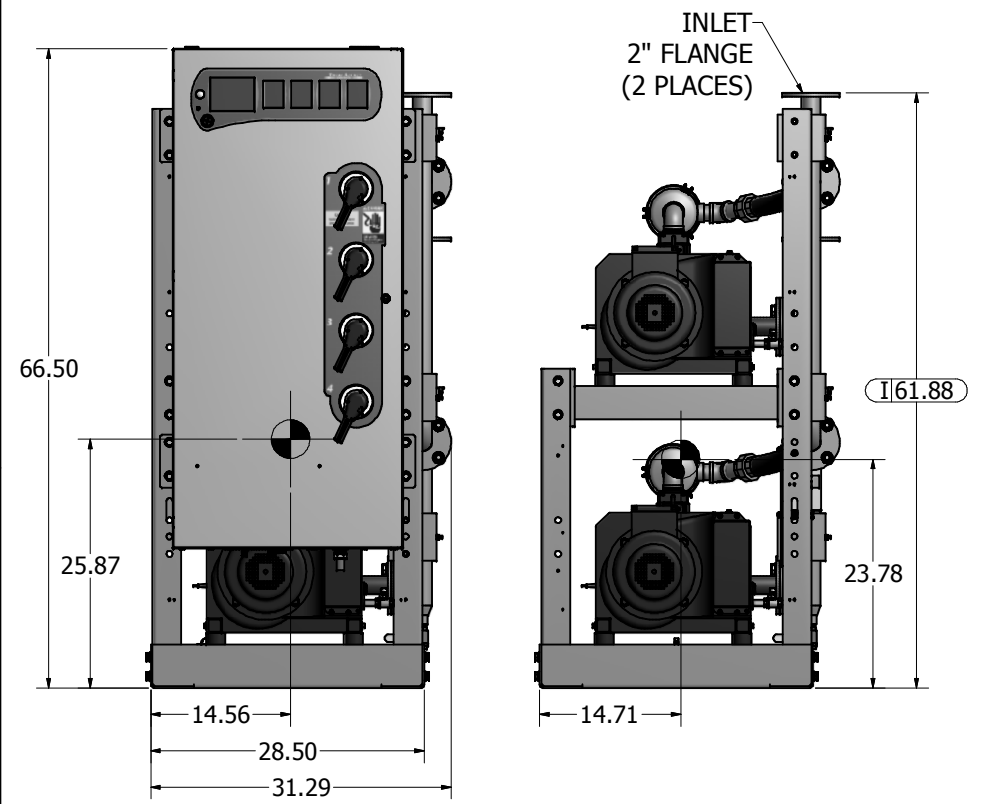
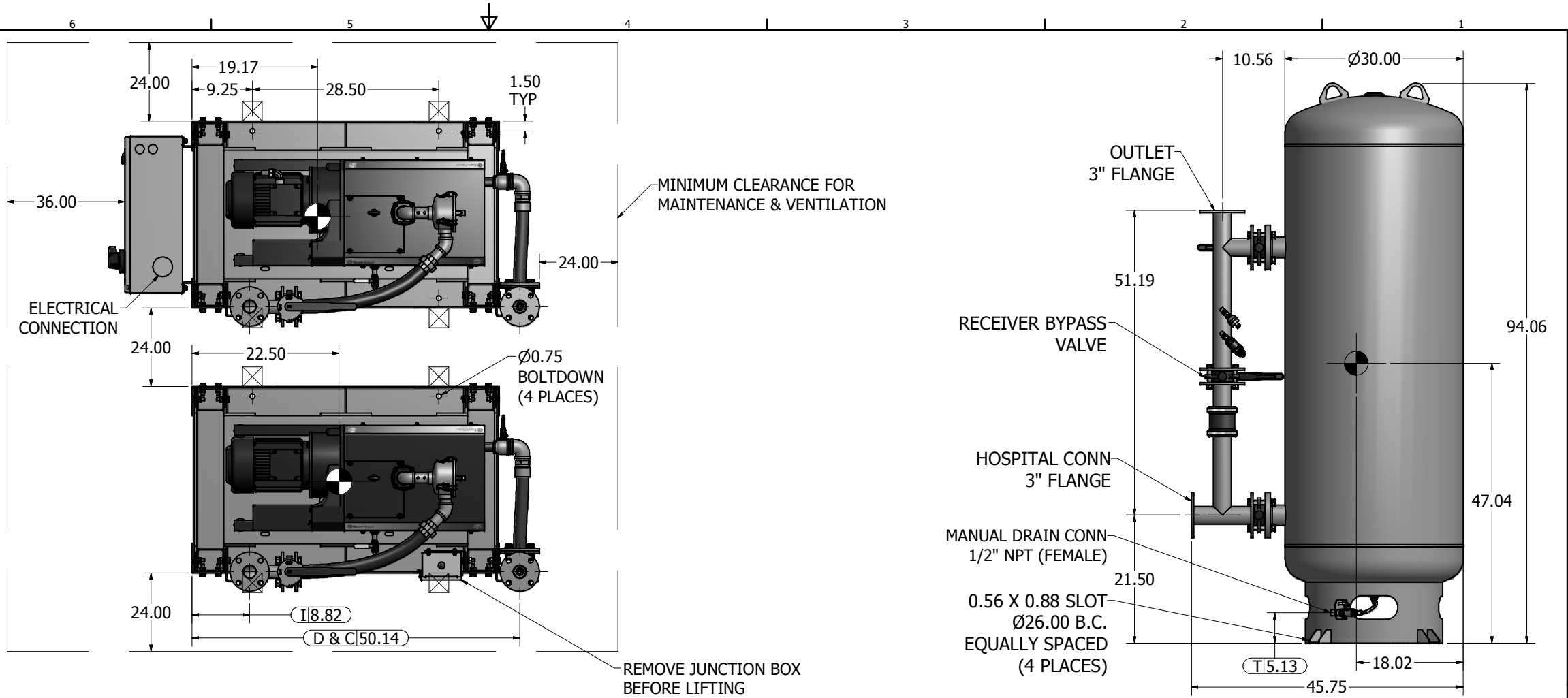


Notes:

- DISCHARGE MUFFLERS WILL BE SHIPPED LOOSE.
- DX MODULE W/ PANEL WEIGHT: 1,419 LBS  
DX MODULE WEIGHT: 1,252 LBS  
240G TANK WEIGHT: 713 LBS
- ☒ INDICATES LIFTING POINT.
- DENOTES CENTER OF GRAVITY.

SYSTEM CONNECTIONS	
ID	DESCRIPTION
I	INLET LOCATION
D	DISCHARGE LOCATION
C	CONDENSATE DRAIN LOCATION
T	TANK DRAIN



Revised:	Date:	Drawn: MDB	Date: 4/15/2010
		This drawing and the information contained therein remain the property of BeaconMedes and may not be used for other than the purpose for which it is loaned without the expressed written permission from BeaconMedes Engineering.	
Description: GENERAL ASSEMBLY 5.4HP QX CLAW VAC MOD 240G RECEIVER STANDARD AND O2 ASSURED		Part Number: 4107 8513 35	
DN: USN100174		Rev: 00	
Sheet 1 of 1		DO NOT SCALE THIS DOCUMENT	