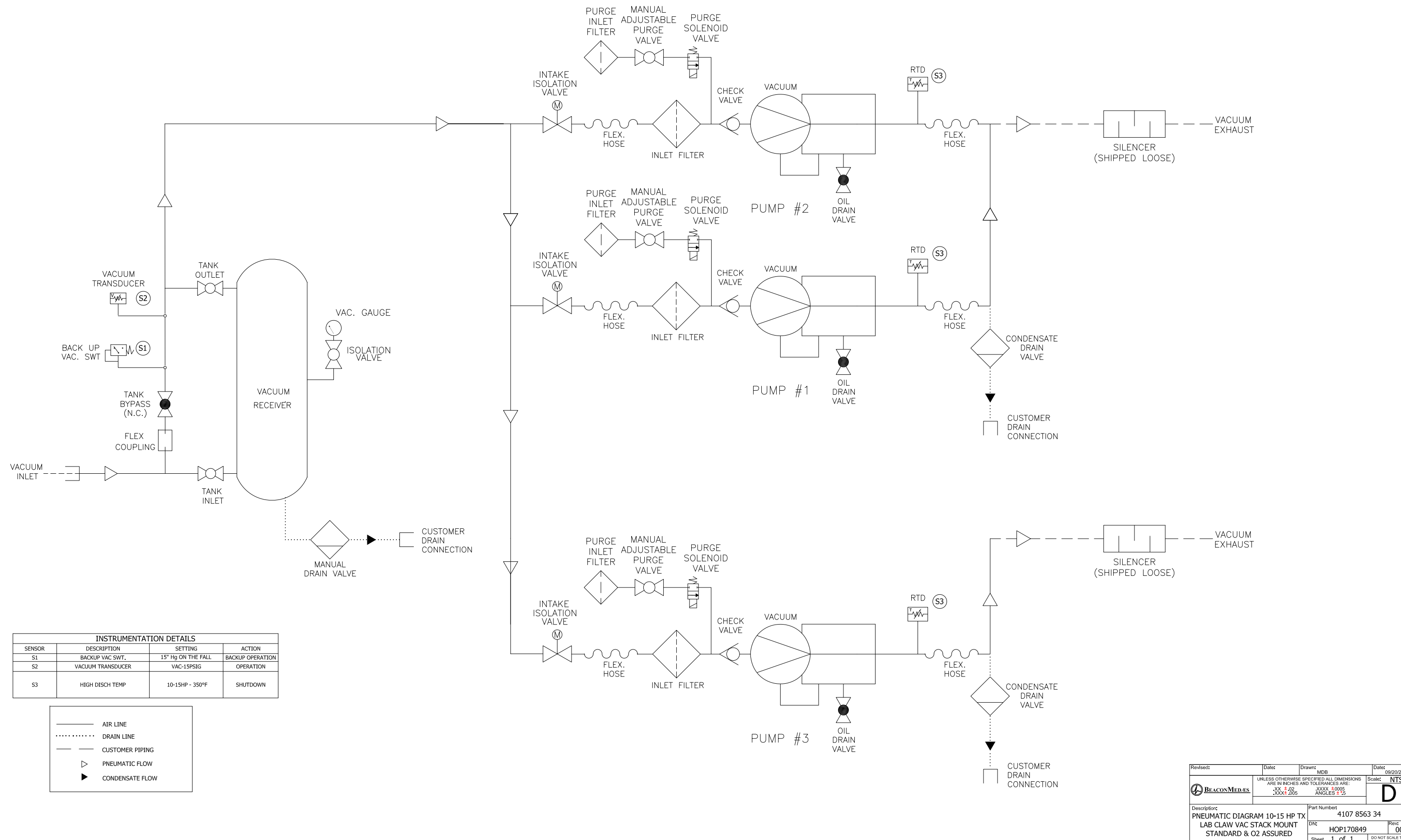
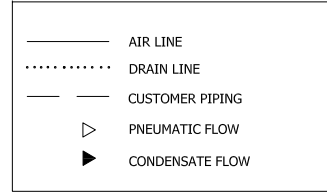


This drawing and the information contained thereon remain the property of BeaconMedics and may not be used for other than the purpose for which it is loaned without the expressed written permission from BeaconMedics Engineering.



INSTRUMENTATION DETAILS			
SENSOR	DESCRIPTION	SETTING	ACTION
S1	BACKUP VAC. SWT.	15" Hg ON THE FALL	BACKUP OPERATION
S2	VACUUM TRANSDUCER	VAC-15PSIG	OPERATION
S3	HIGH DISCH TEMP	10-15HP - 350°F	SHUTDOWN



Revised:	Date:	Drawn:	MDB	Date:	09/20/2017
		<small>UNLESS OTHERWISE SPECIFIED ALL DIMENSIONS ARE IN INCHES AND TOLERANCES ARE: XX ±.02 XXX ±.005</small>		Scale:	NTS
Description: <b>PNEUMATIC DIAGRAM 10-15 HP TX          LAB CLAW VAC STACK MOUNT          STANDARD &amp; O2 ASSURED</b>			Part Number: <b>4107 8563 34</b>		
DNE HOP170849		Rev: 00		Sheet 1 of 1 <small>DO NOT SCALE THIS DOCUMENT</small>	