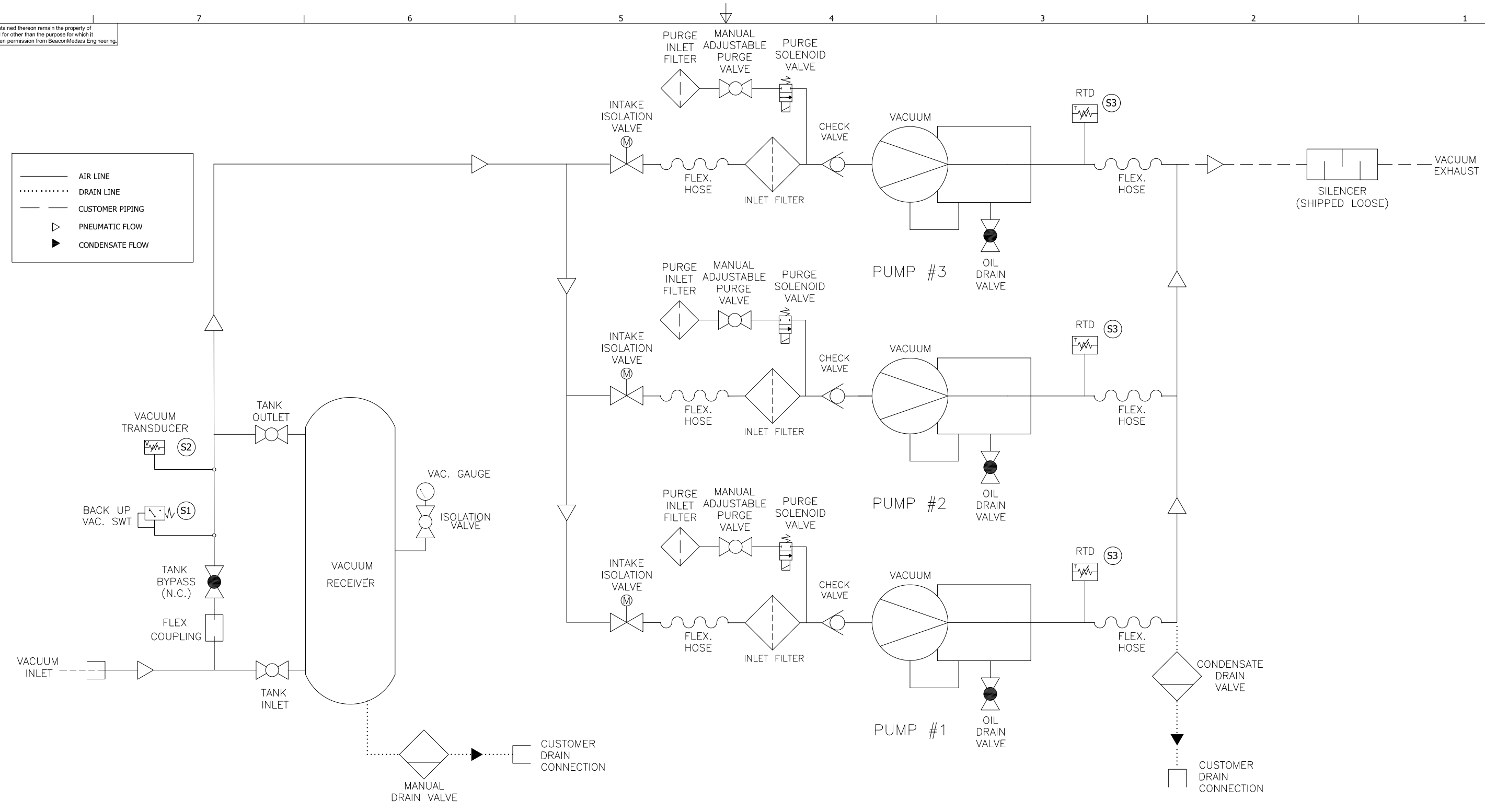


This drawing and the information contained thereon remain the property of BeaconMedas and may not be used for other than the purpose for which it is loaned without the expressed written permission from BeaconMedas Engineering.



— AIR LINE
 DRAIN LINE
 — CUSTOMER PIPING
 ▷ PNEUMATIC FLOW
 ▶ CONDENSATE FLOW

INSTRUMENTATION DETAILS			
SENSOR	DESCRIPTION	SETTING	ACTION
S1	BACKUP VAC SWT.	15" Hg ON THE FALL	BACKUP OPERATION
S2	VACUUM TRANSDUCER	VAC-15PSIG	OPERATION
S3	HIGH DISCH TEMP	5HP - 250°F 6.4-10HP - 350°F	SHUTDOWN

Revised:	Date:	Drawn:	Date:
	09/20/2017	MOB	09/20/2017
BEACONMEDES <small>UNLESS OTHERWISE SPECIFIED ALL DIMENSIONS ARE IN INCHES AND TOLERANCES ARE: XX ±.02 XXXX ±.005 ANGLES ±.5</small>		Scale: NTS D	
Description: PNEUMATIC DIAGRAM 5-8 HP TX LAB CLAW VAC STACK MOUNT STANDARD & O2 ASSURED		Part Number: 4107 8563 33	
DN: HOP170849		Rev: 00	
Sheet 1 of 1		DO NOT SCALE THIS DOCUMENT	