

FUSE SELECTION CHART (MAX FUSE SIZES SHOWN)

FUSE	120V	230V
F1/F2/F3/F4	4.0 AMPS	4.0 AMPS
F5/F6	1.25 AMPS	0.6 AMPS
F7	3.2 AMP	3.2 AMP
F8	0.5 AMP	0.5 AMP

F1/F2/F3/F4/F8 ARE LITTLEFUSE 239 SERIES 250V TYPE
 F5/F6 ARE LITTLEFUSE KLDR 600V TYPE
 F7 ARE LITTLEFUSE FLM 250V TYPE

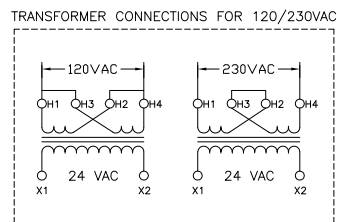
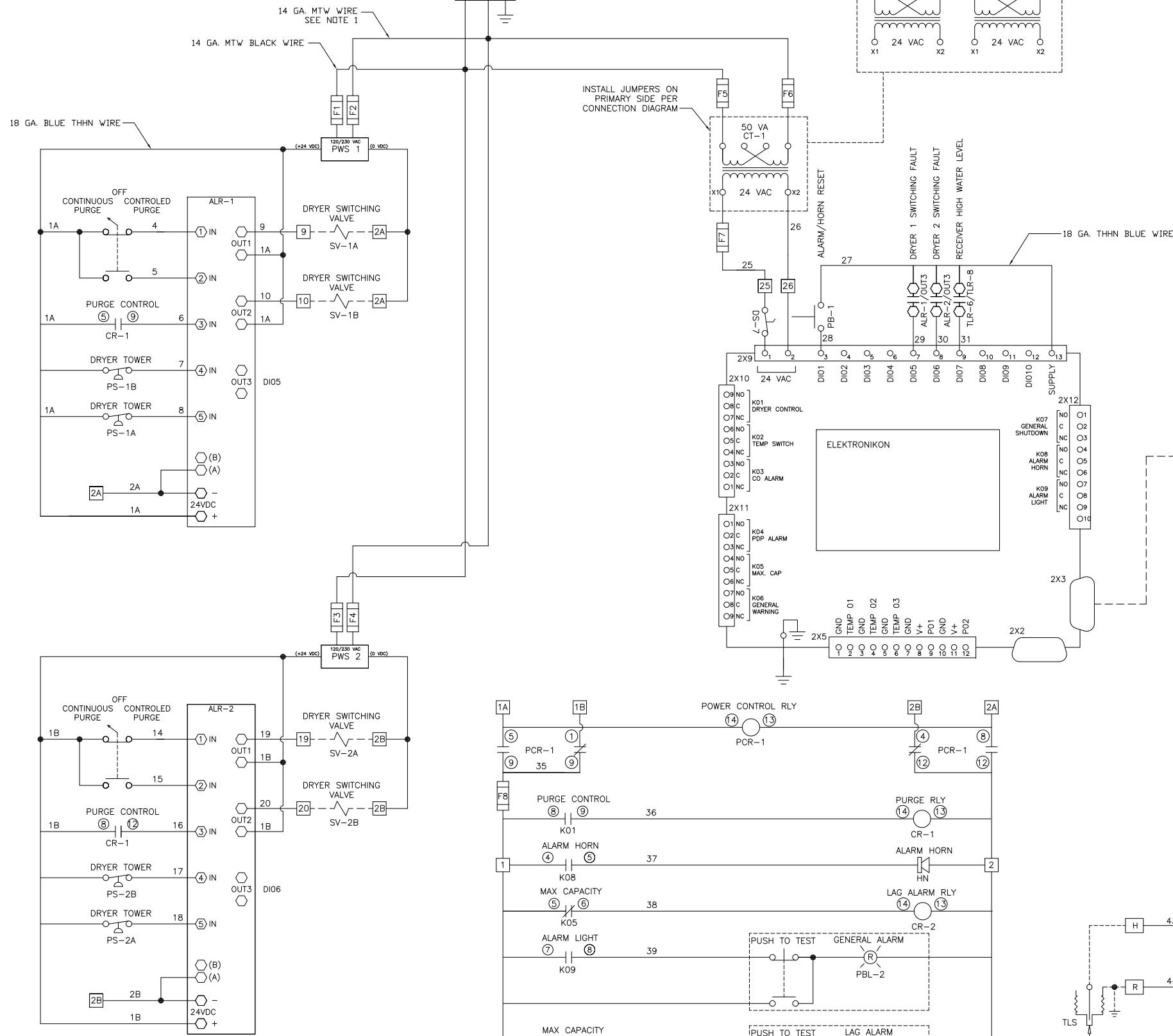
NOTES:

1 - CONTROL PANELS USING 115VAC AS THE PRIMARY POWER SOURCE SHOULD WIRE THE (L1) TERMINAL TO LINE VOLTAGE (BLACK WIRE). THE (L2) TERMINAL SHOULD WIRE TO THE NEUTRAL CONDUCTOR (WHITE WIRE). IF 230VAC IS USED THEN BOTH L1 AND L2 CONDUCTORS WILL USE BLACK WIRE.

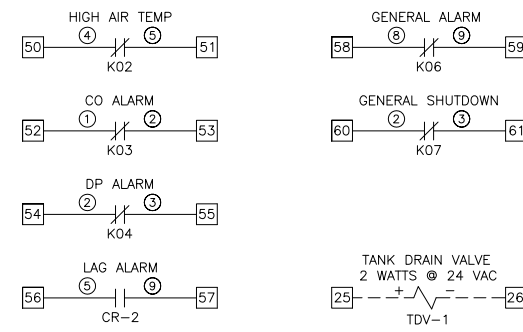
MAIN DISCONNECT AND CIRCUIT PROTECTION PROVIDED BY OTHER

120/240 VOLTS
 1 Ø
 50/60 HZ

TOTAL SYSTEM FLA	
VOLTAGE	FLA AMPS
120	1.3 AMPS
230	1.1 AMPS

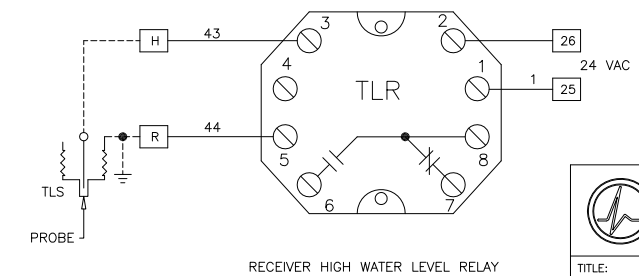
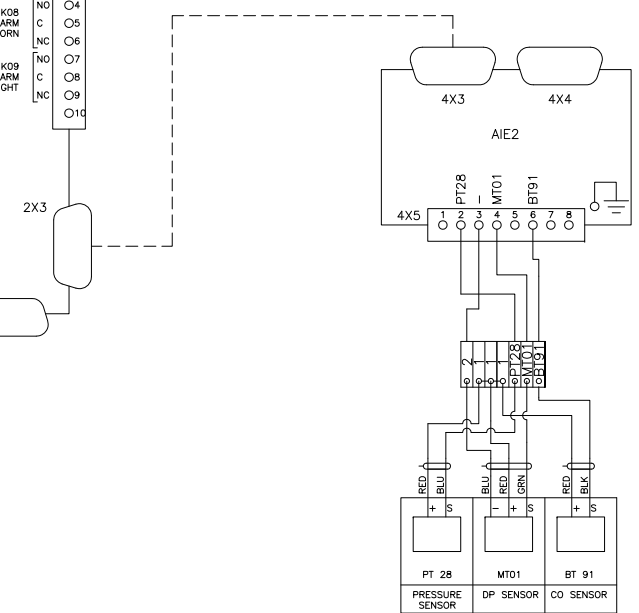
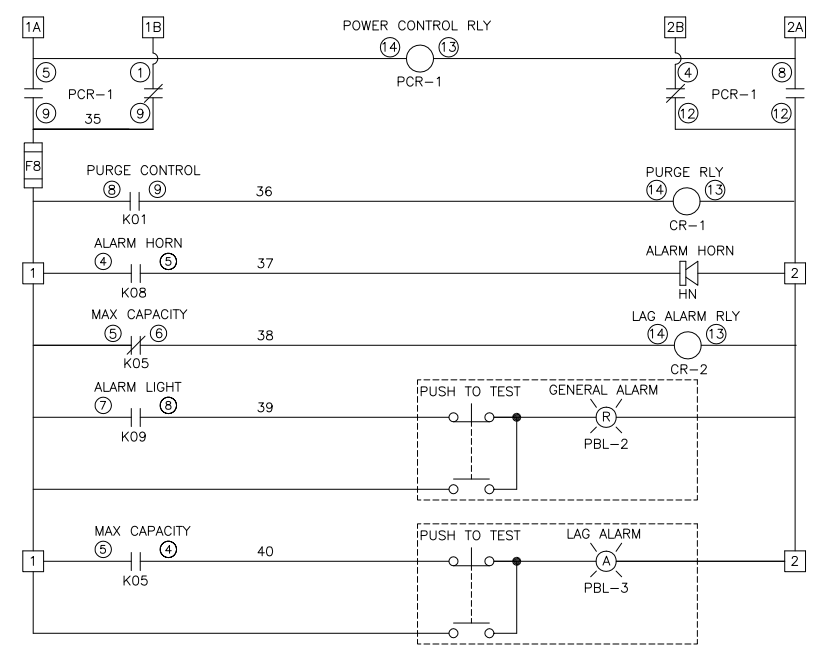


AUXILIARY CONTACTS
 230VAC 10 AMP RATING



(CR-2 CONTACTS OPEN WITH LAG ALARM)
 (CONTACTS CLOSED W/O LAG ALARM)

NOTE:
 AUXILIARY CONTACTS 50-61 ARE "CLASS 1 CONTROL CIRCUITS, USE CLASS 1 CONDUCTORS"
 ALL OTHERS ARE "CLASS 2 CONTROL CIRCUITS, USE CLASS 2 CONDUCTORS"



TITLE: ES-6 CONTROLLER CD110/300 DRYERS HIGH H2O LEVEL RELAY 120-240/1/50-60	
DRAWN BY: T. CONNER	DATE: 4/2/08
CHECKED BY:	DATE:
REVISED BY: BUM	DATE: 11/30/11
SCALE: NTS	DIA 02 968
REV.:	C